

[54] DISPENSER FOR SHEET MATERIAL

1,897,869 2/1933 Graham 242/55.53
2,472,712 6/1949 Lifschitz D6/96

[75] Inventors: Hideaki Hasegawa; Saburo Shibano;
Terutoshi Kaneko, all of Tokyo,
Japan

FOREIGN PATENT DOCUMENTS

846609 8/1960 United Kingdom 242/55.2

[73] Assignee: Riken Vinyl Kogyo Kabushiki Kaisha,
Japan

Primary Examiner—Susan J. Lucas
Assistant Examiner—Suzanne N. Gitlin
Attorney, Agent, or Firm—McGlew and Tuttle

[**] Term: 14 Years

[21] Appl. No.: 272,395

[57] CLAIM

The ornamental design for dispenser for sheet material,
substantially as shown and described.

[22] Filed: Jun. 10, 1981

[52] U.S. Cl. D6/96

DESCRIPTION

[58] Field of Search D6/96, 97, 98, 99;
242/55.2, 55.3, 55.42, 55.53, 55.54, 56 B, 56 R;
312/38, 39

FIG. 1 is a perspective view of a dispenser for sheet
material showing our new design;
FIG. 2 is a right side elevational view thereof, the left
side being identical;
FIG. 3 is a front elevational view thereof;
FIG. 4 is a rear elevational view thereof;
FIG. 5 is a top plan view thereof;
FIG. 6 is a bottom plan view thereof.

[56] References Cited

U.S. PATENT DOCUMENTS

D. 236,226 8/1975 Jamois et al. D6/96
1,833,999 12/1931 McCaskey D6/96

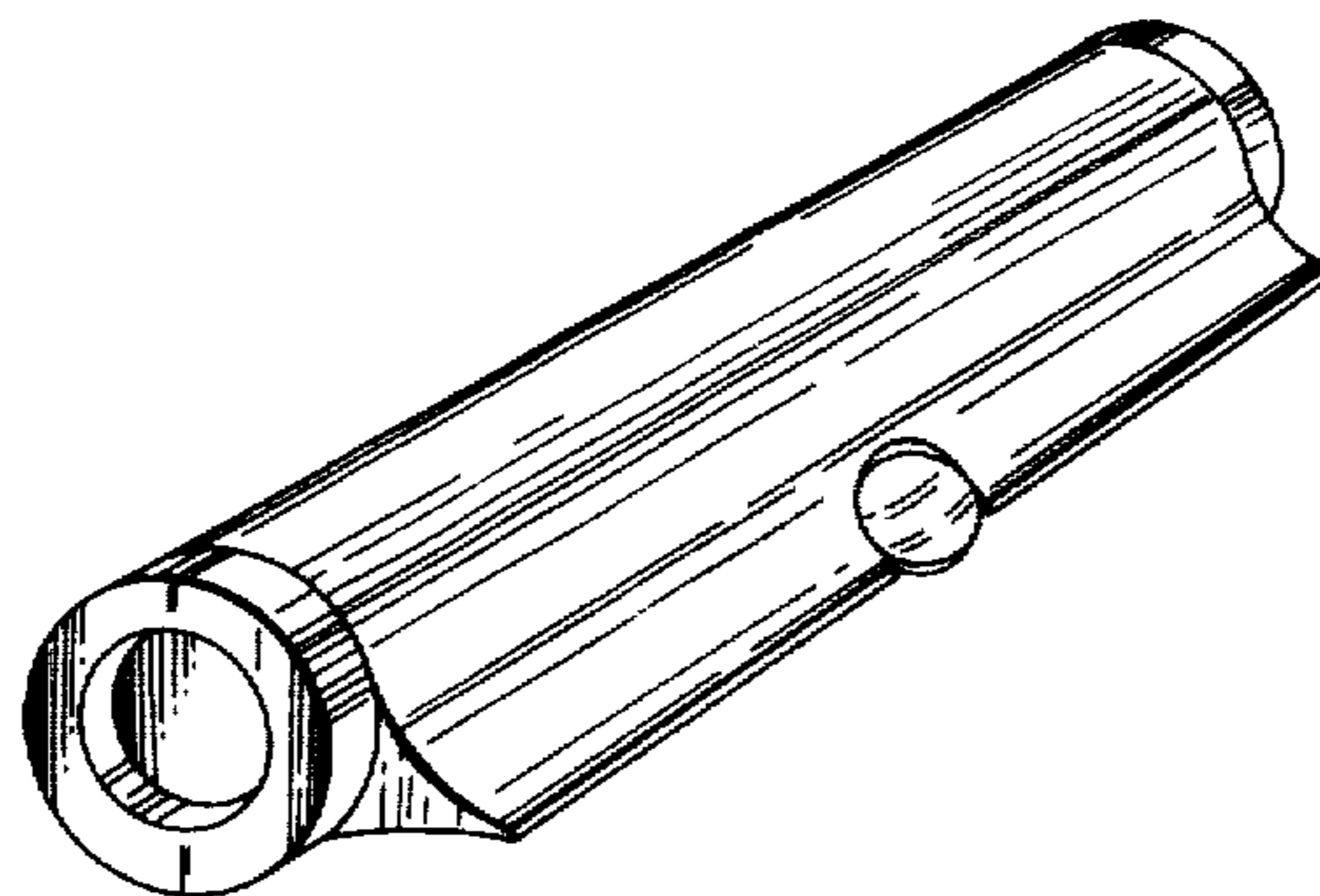


FIG. 1

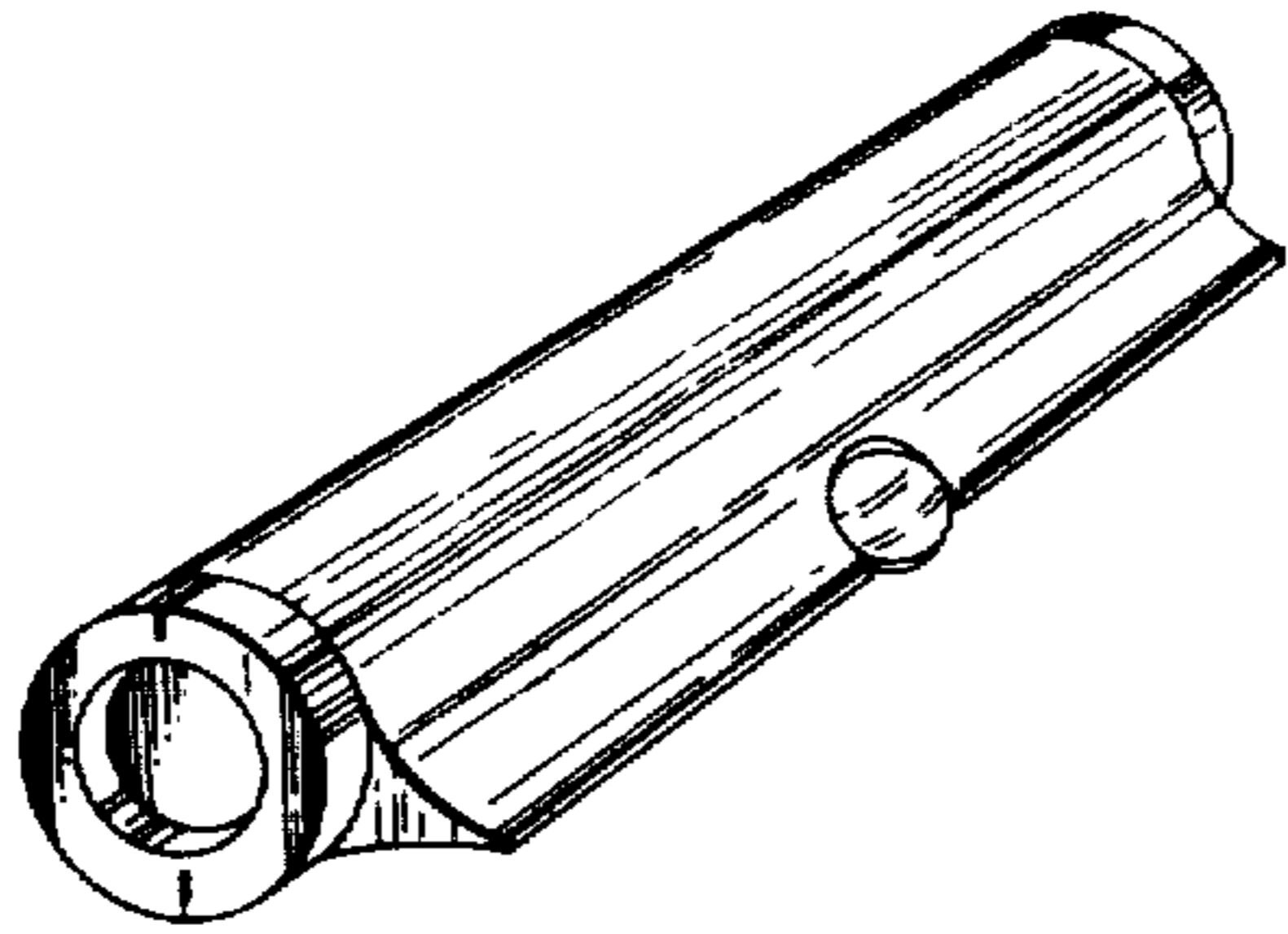


FIG. 2

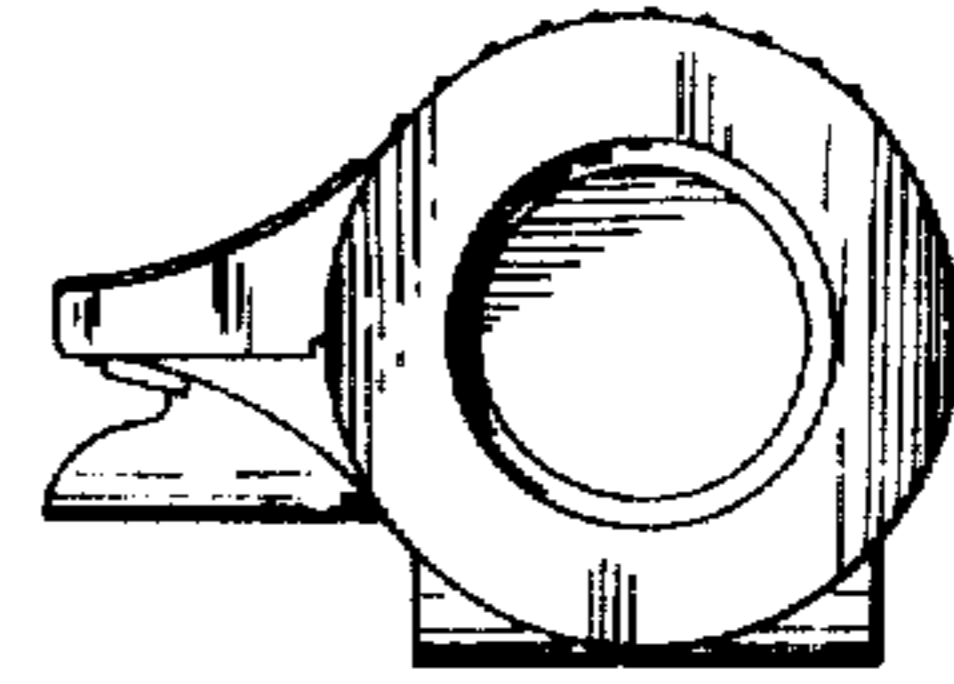


FIG. 5

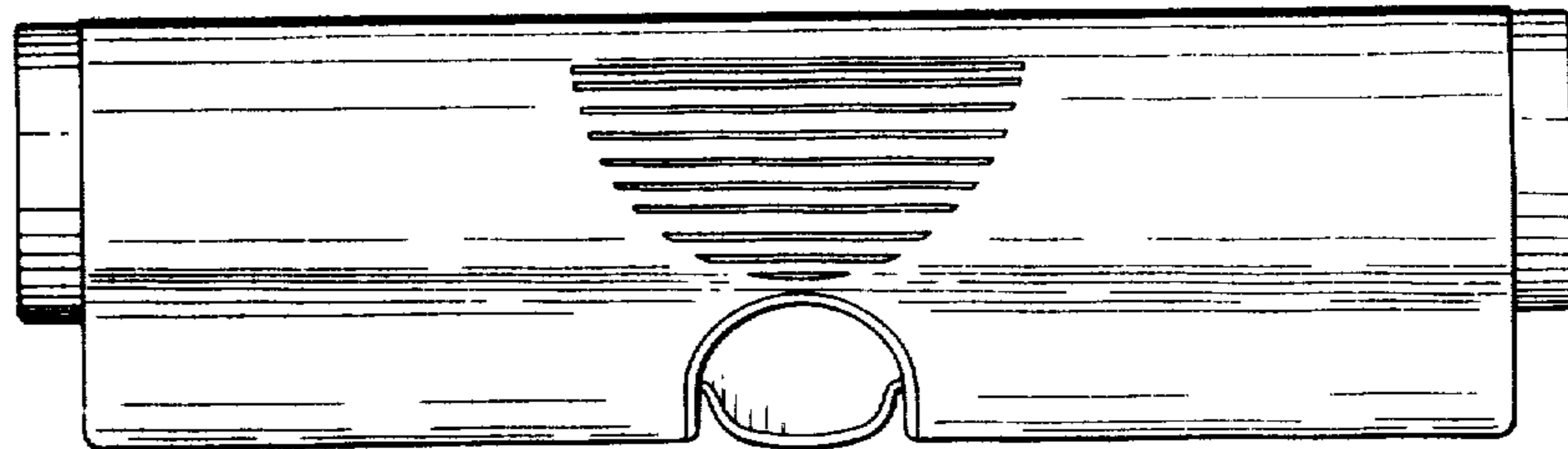


FIG. 3

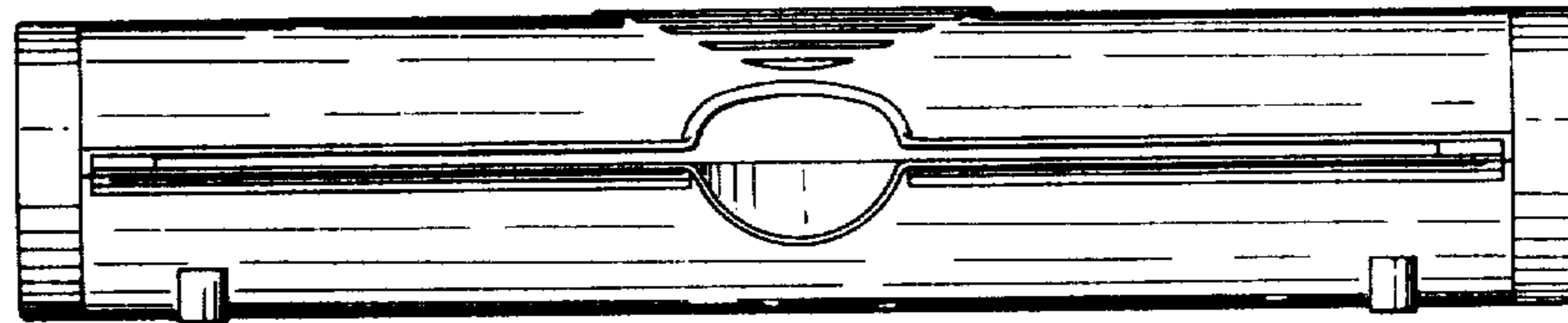


FIG. 6

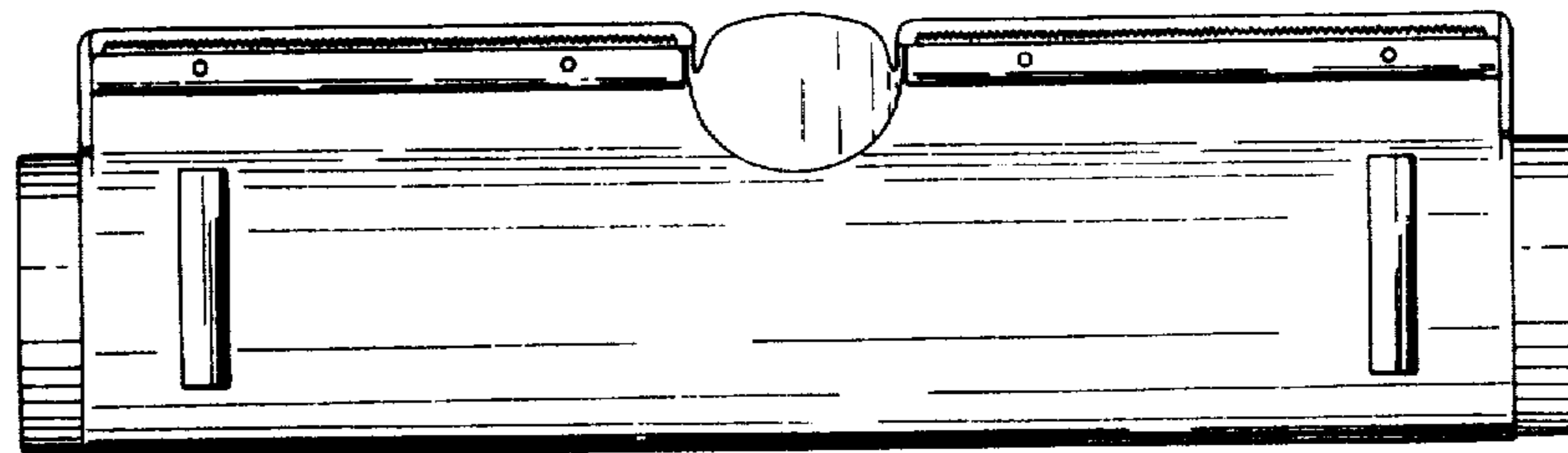


FIG. 4

