

[54] HOLDER FOR TOILETRY ITEMS

[76] Inventor: Howard Sussman, 3101 NW. 25th Ave., Pompano Beach, Fla. 33060

[**] Term: 14 Years

[21] Appl. No.: 443,150

[22] Filed: Feb. 10, 1983

[52] U.S. Cl. D6/86; D6/102; D6/134; D6/136; D6/233

[58] Field of Search D6/86, 89, 90, 91, 99-103, D6/123, 114, 125, 134, 233, 189, 132, 135; D28/73, 77, 65, 66, 68; 211/13, 60 R, 71, 72, 75, 87, 88, 90, 106, 126, 153; 108/25, 27-30, 42, 50, 59; 206/152, 581; 248/309 R

[56] References Cited

U.S. PATENT DOCUMENTS

D. 96,745 9/1935 Grunwald 211/87

D. 198,421 6/1964 Tone D6/189
D. 201,480 6/1965 Faber D6/134
D. 225,948 1/1973 Asenbauer D6/91
D. 238,227 12/1975 Spath D6/86
D. 251,881 5/1979 Shirley D6/86

Primary Examiner—Wallace R. Burke
Assistant Examiner—Suzanne N. Gitlin
Attorney, Agent, or Firm—Bauer & Amer

[57] CLAIM

The ornamental design for a holder for toiletry items, as shown and described.

DESCRIPTION

FIG. 1 is a perspective view, as seen from the left, of a holder for toiletry items showing my new design; FIG. 2 is a front elevational view thereof; FIG. 3 is a right side elevational view thereof; FIG. 4 is a plan view thereof; FIG. 5 is a bottom view thereof; and FIG. 6 is a rear elevational view thereof.

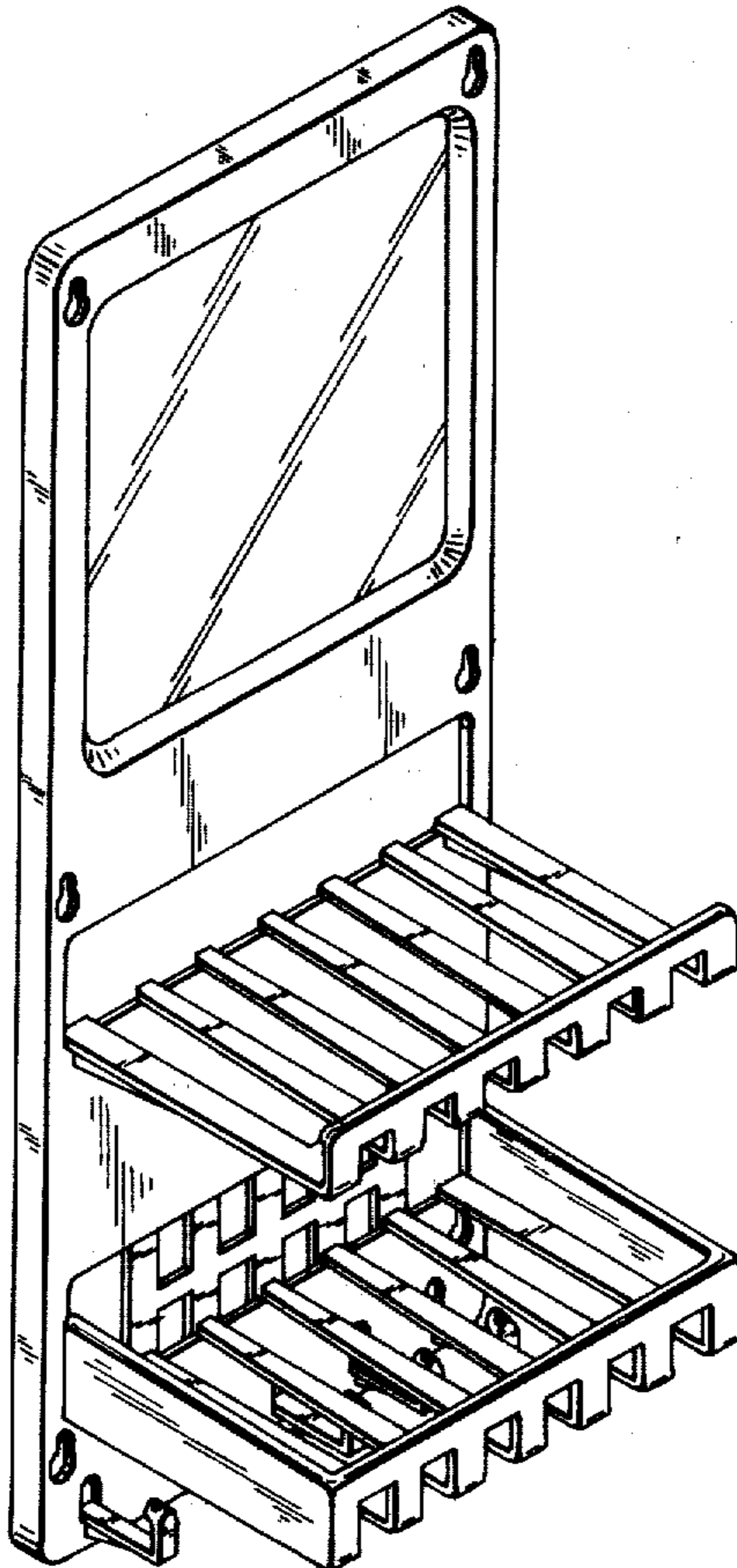


FIG. 1

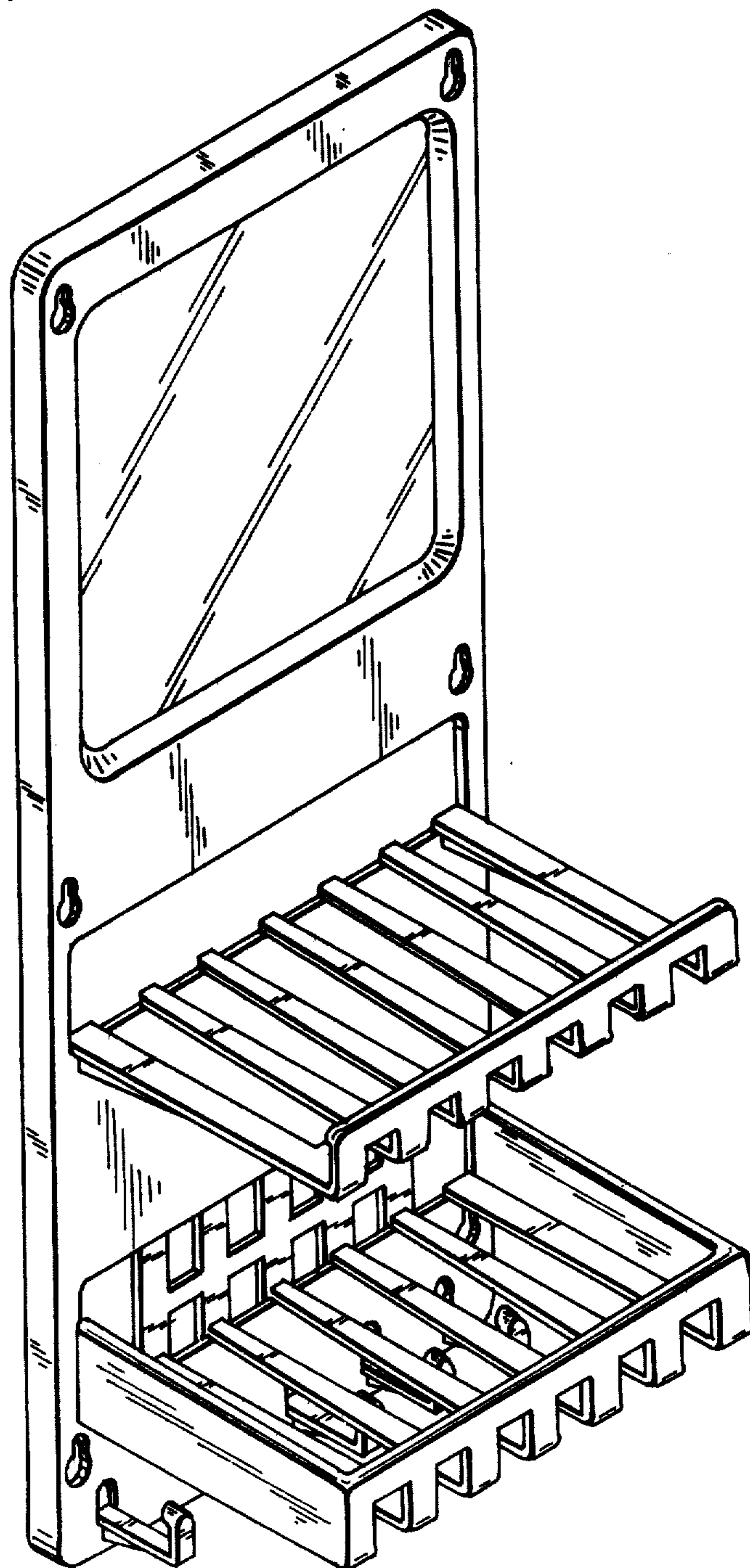


FIG. 2

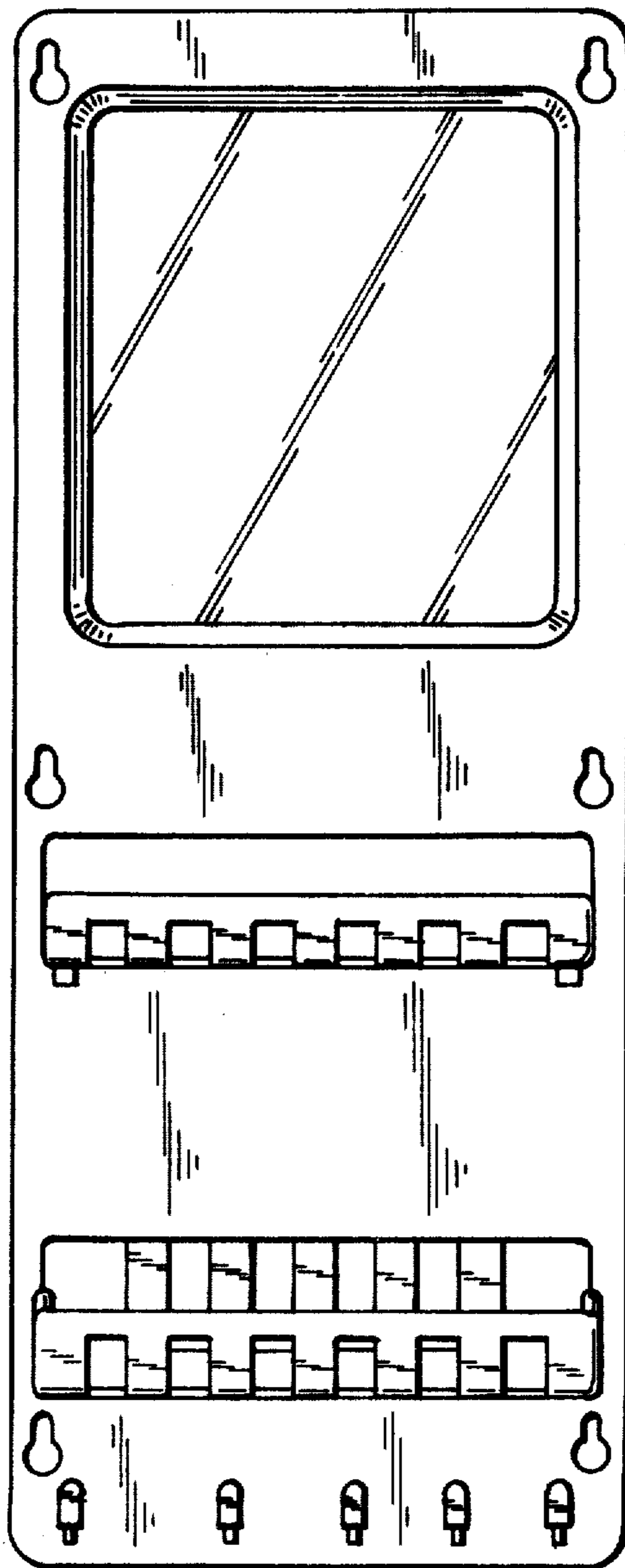


FIG. 3

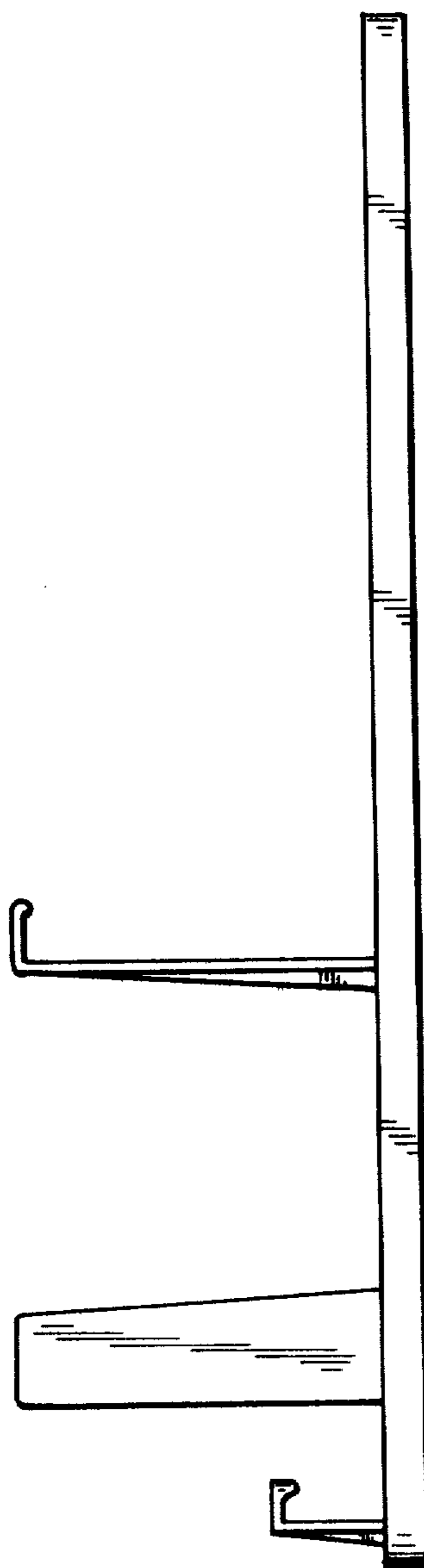


FIG. 4

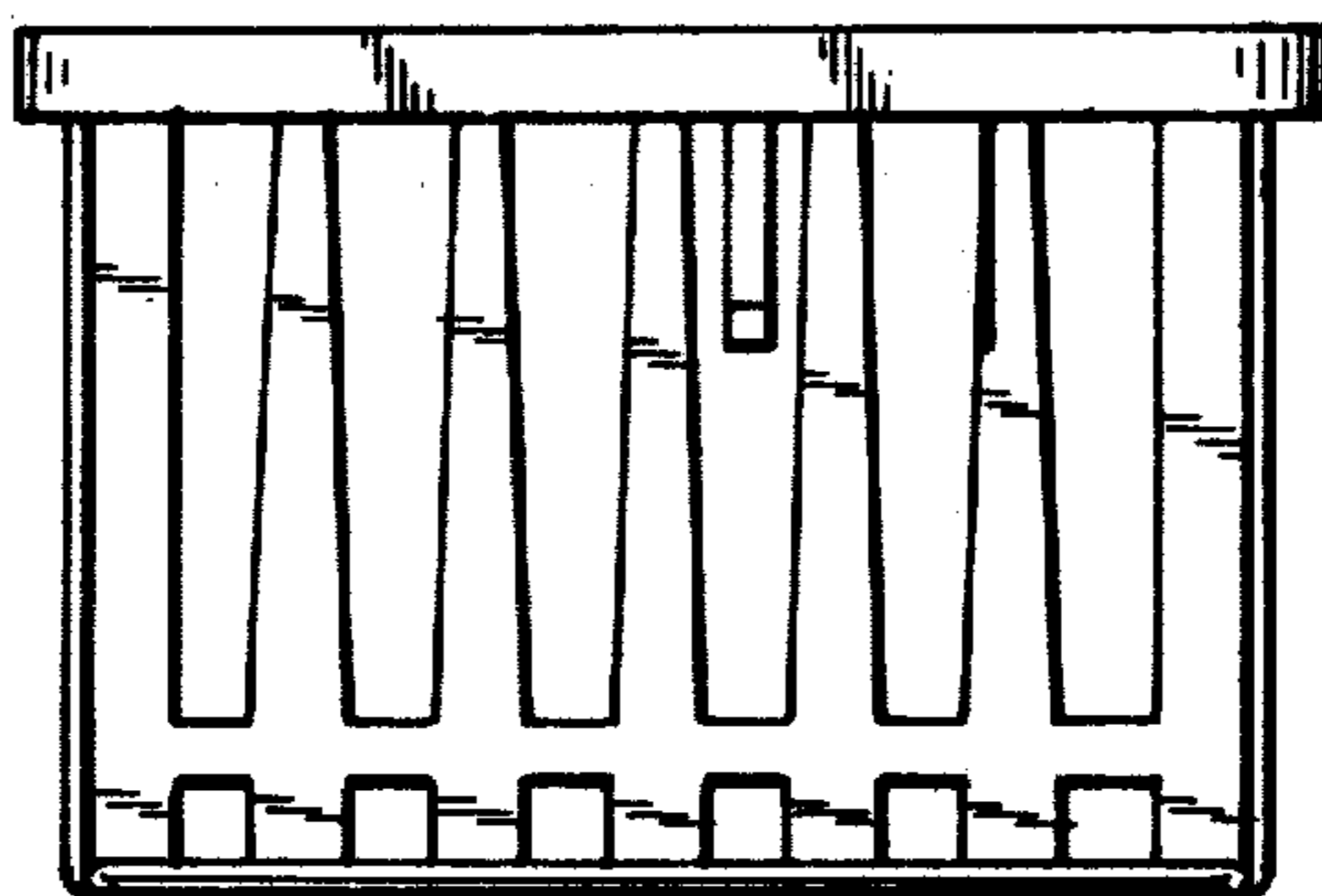


FIG. 5

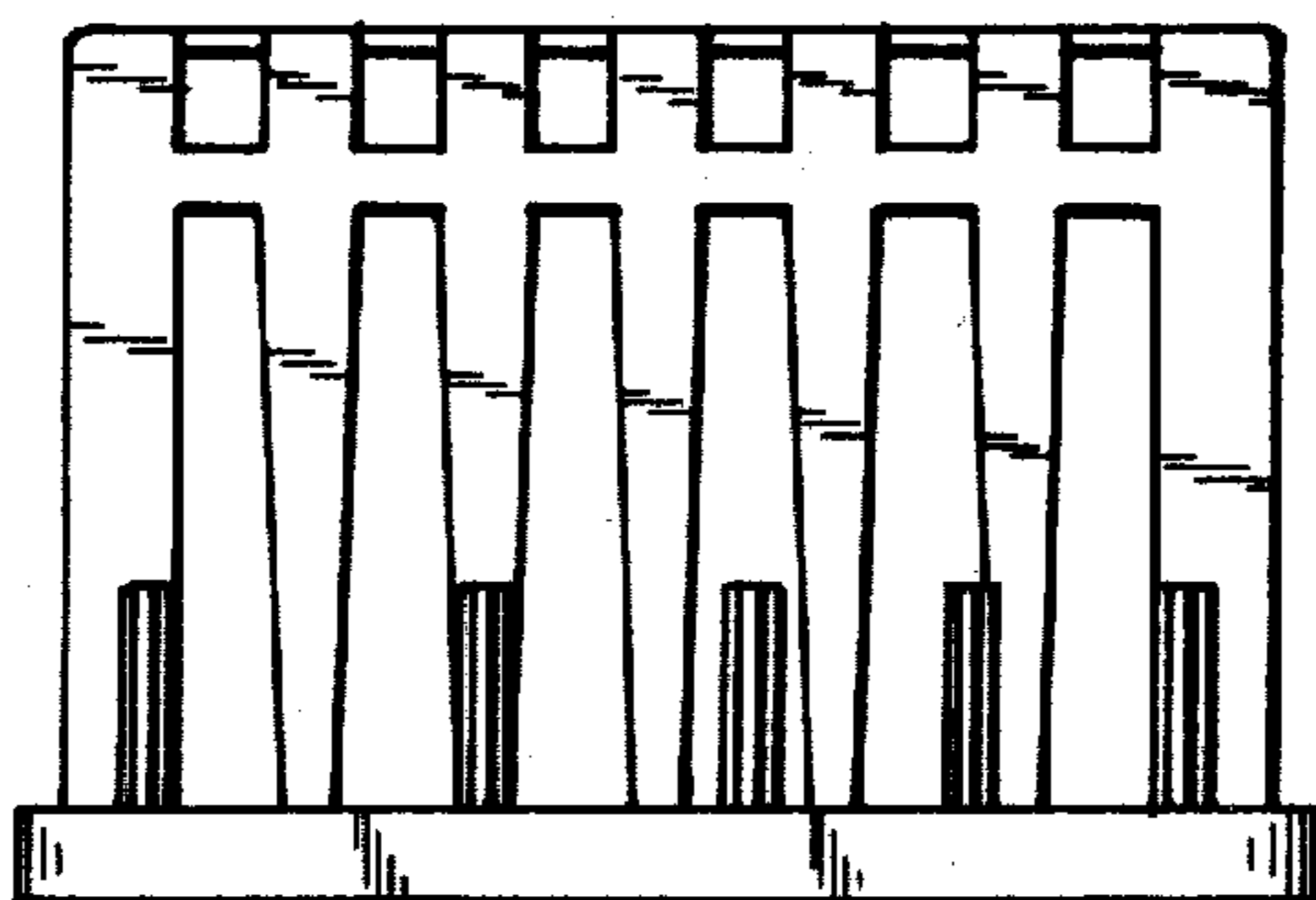


FIG. 6

