

[54] CONVERTIBLE SOFA

[76] Inventor: Igal Fairaizen, 58 Eilat Rd., Tel Aviv, Israel

[**] Term: 14 Years

[21] Appl. No.: 234,552

[22] Filed: Feb. 13, 1981

[52] U.S. Cl. D6/61; D6/64

[58] Field of Search D6/59-63, D6/191; 5/12 R, 45

[56] References Cited

U.S. PATENT DOCUMENTS

D. 240,096 6/1976 Haggstam et al. D6/61 X
4,292,698 10/1981 Acker 5/45

FOREIGN PATENT DOCUMENTS

2246584 4/1974 Fed. Rep. of Germany 5/12 R

OTHER PUBLICATIONS

Furniture South, vol. 52, No. 4, Apr. 1973, p. 108, Sofa Bed by Artisans Guild.

Interiors, Jan. 1974, p. 56, Convertible Chair left center.

Primary Examiner—Bruce W. Dunkins

Attorney, Agent, or Firm—Toren, McGeady and Stanger

[57] CLAIM

The ornamental design for a convertible sofa, as shown and described.

DESCRIPTION

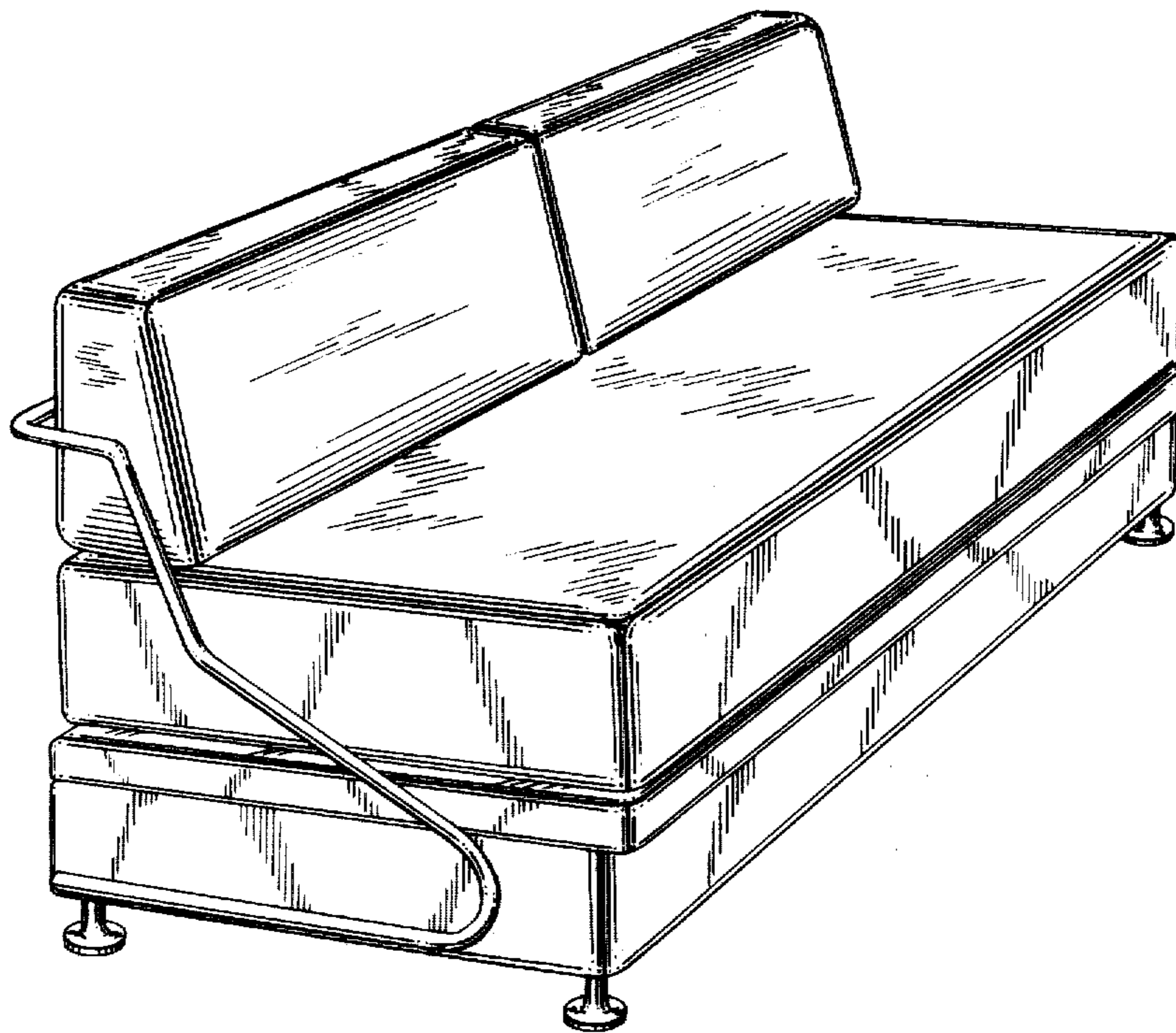
FIG. 1 is a front perspective view of a convertible sofa showing my design in position for use as a sofa;

FIG. 2 is an end view;

FIG. 3 is a rear perspective view; and

FIG. 4 is a perspective view with the bolsters removed and the sofa shown in its converted position for use as a bed.

The end of the convertible sofa not shown is a mirror image of the end shown in FIG. 2.



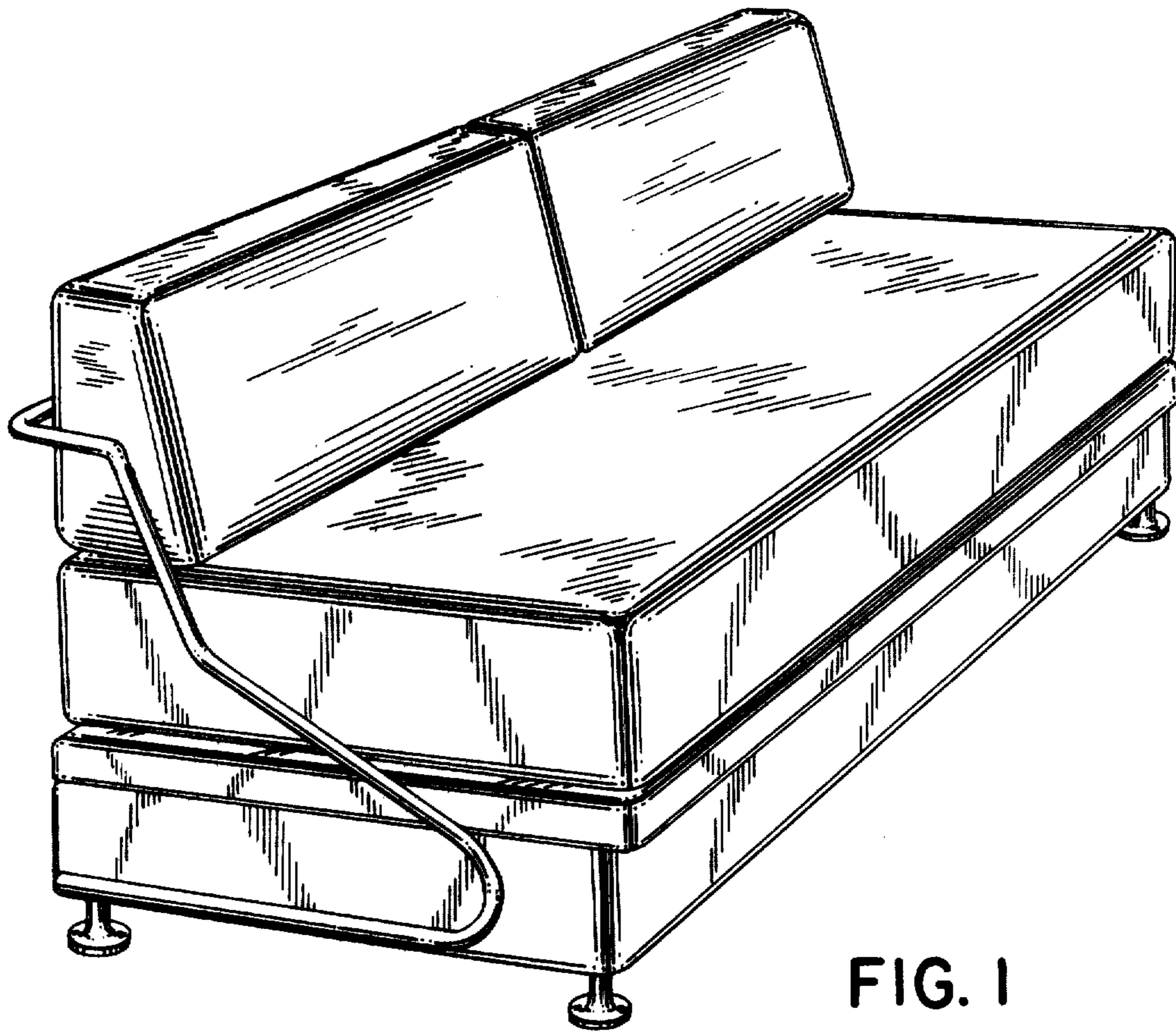


FIG. 1

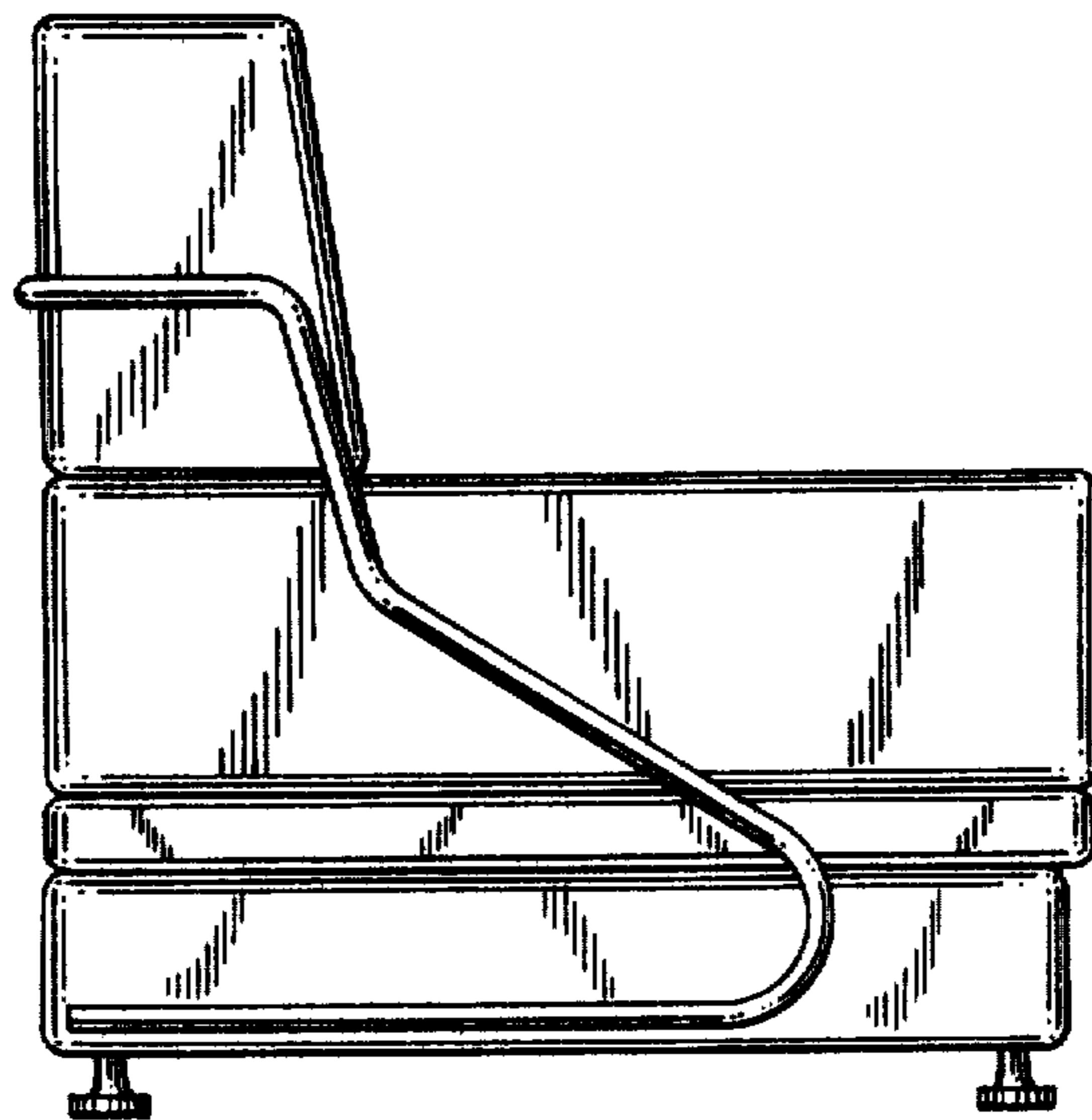


FIG. 2

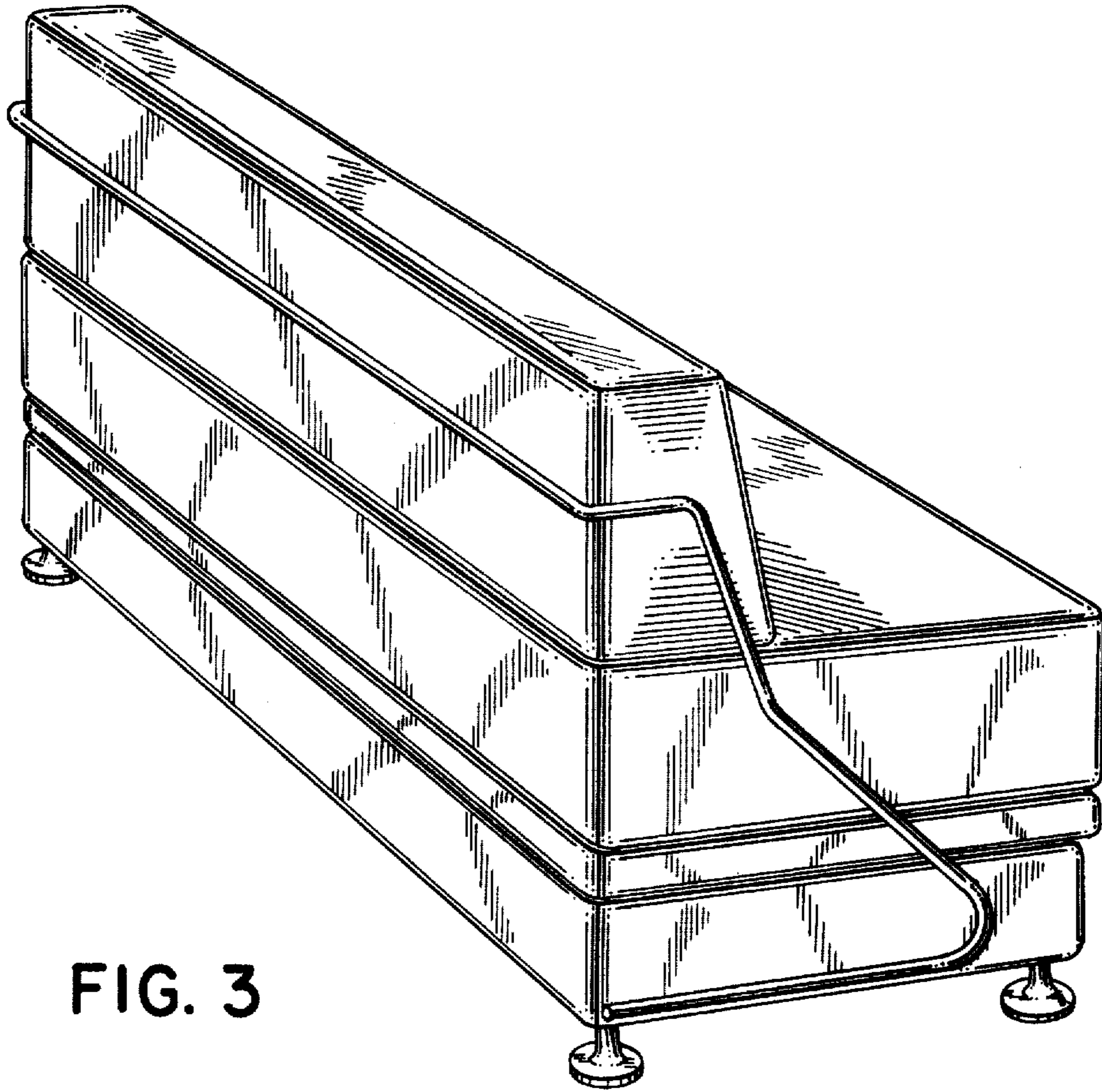


FIG. 3

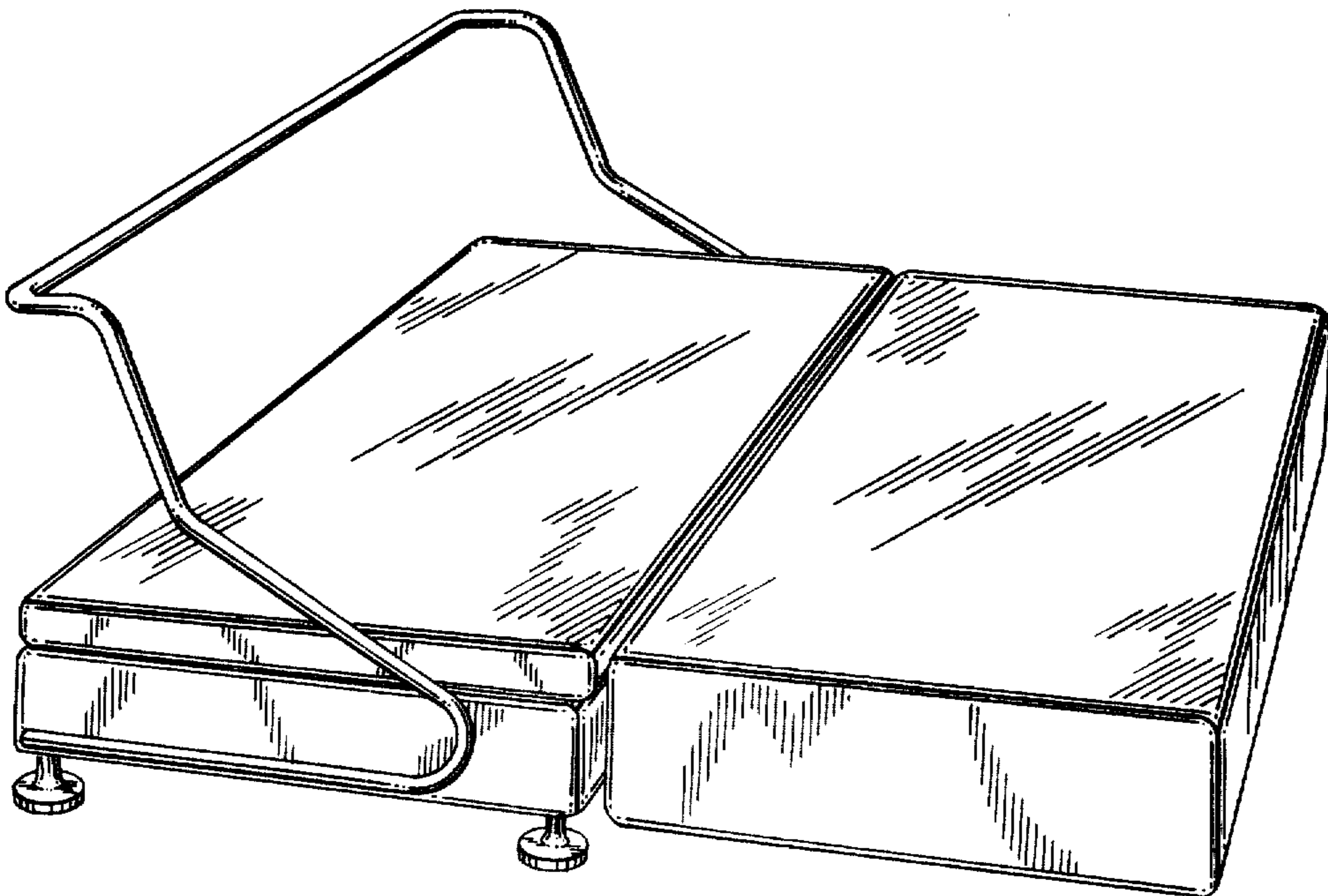


FIG. 4