

[54] LIFT TRUCK BODY

[75] Inventors: Robert L. Kirby; Warner K. Brown, both of Battle Creek, Mich.; Dennis M. Lanci, Renton, Wash.

[73] Assignee: Clark Equipment Company, Buchanan, Mich.

[\*\*] Term: 14 Years

[21] Appl. No.: 276,438

[22] Filed: Jun. 22, 1981

[51] Int. Cl. .... D12-05

[52] U.S. Cl. .... D34/37

[58] Field of Search ..... D34/34, 37; 187/9 R; 180/89.14, 89.17, 89.18

[56] References Cited

U.S. PATENT DOCUMENTS

- D. 181,187 10/1957 Davies .
- D. 240,294 6/1976 De Preister et al. .
- D. 242,337 11/1976 De Priester et al. .

OTHER PUBLICATIONS

Modern Materials Handling, 1/80, p. 129, Datsun Lift Truck.

Modern Materials Handling, 3/80, p. 58, Caterpillar Lift Truck.

Modern Materials Handling, 7/79, p. 8, Yale Lift Truck, bottom right side of page.

Modern Materials Handling, 7/79, p. 133, Clark Lift Truck, top center of page.

Primary Examiner—James M. Gandy

Attorney, Agent, or Firm—John C. Wiessler

[57] CLAIM

The ornamental design for a lift truck body, as shown and described.

DESCRIPTION

FIG. 1 is a front quarter perspective view of a lift truck body, showing our new design;

FIG. 2 is a right side perspective view;

FIG. 3 is a left side perspective view;

FIG. 4 is a rear perspective view; and

FIG. 5 is a front perspective view.

Portions shown in broken lines are included for illustrative purposes only.

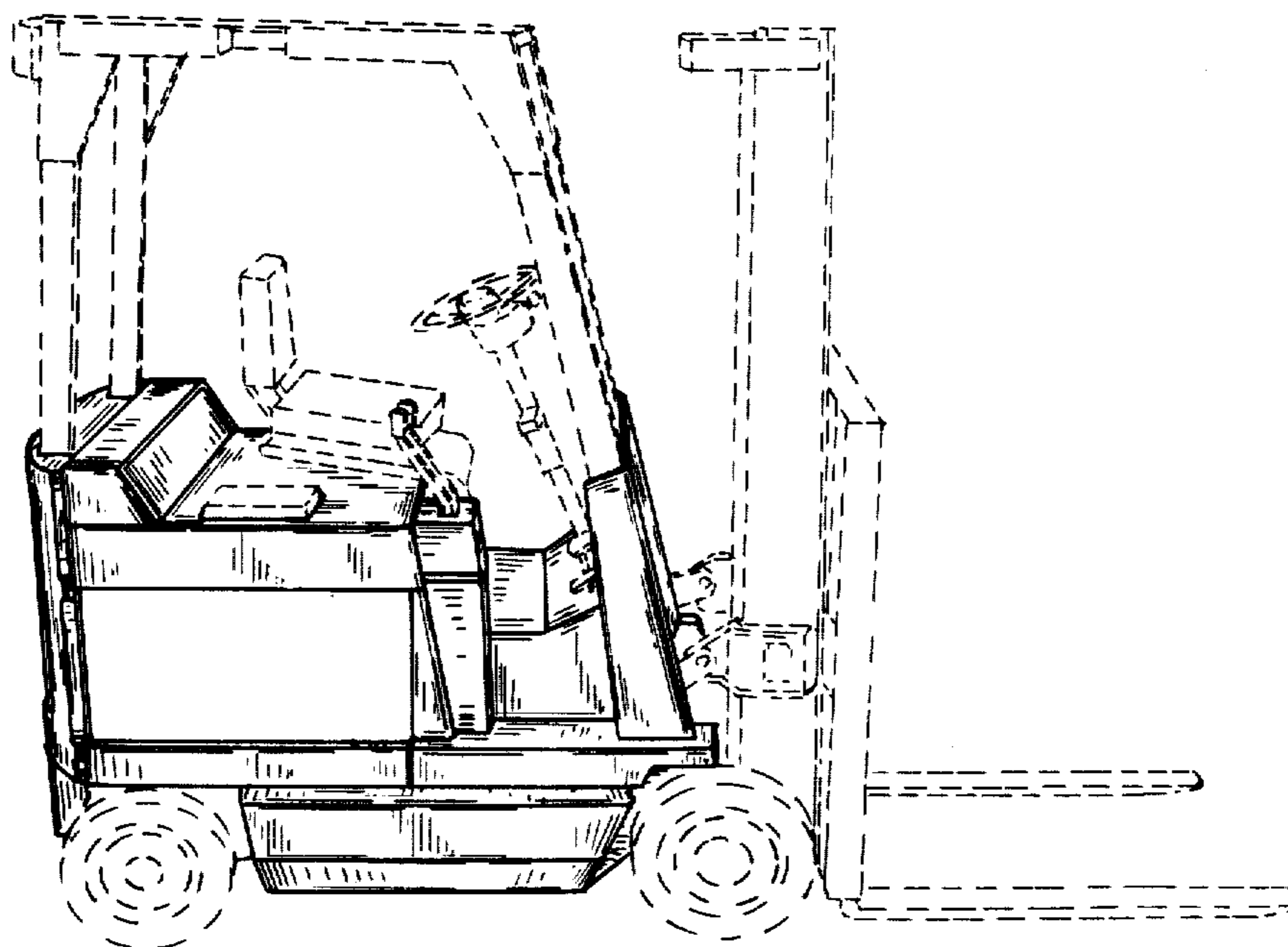


FIG. 1

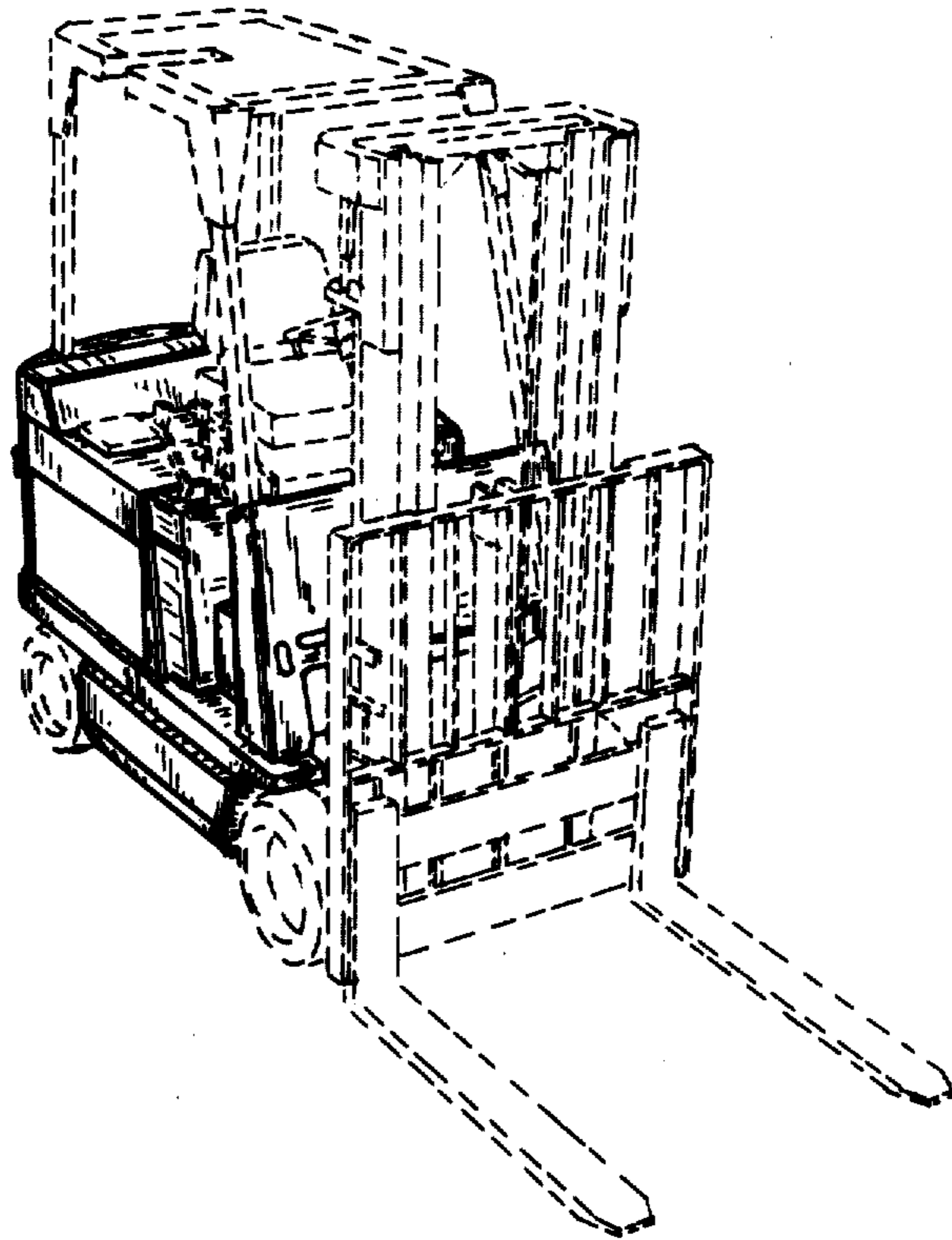


FIG. 2

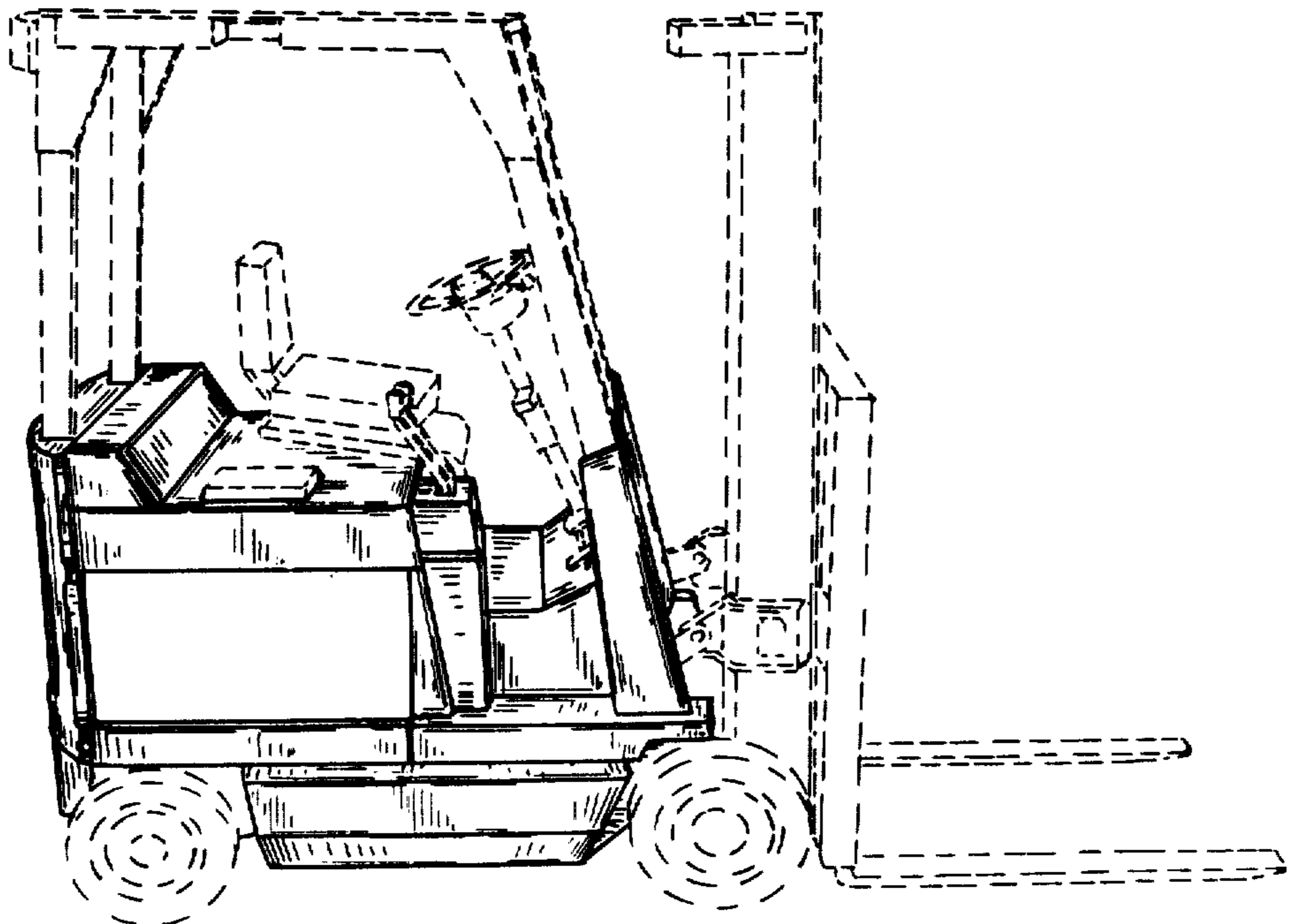


FIG. 3

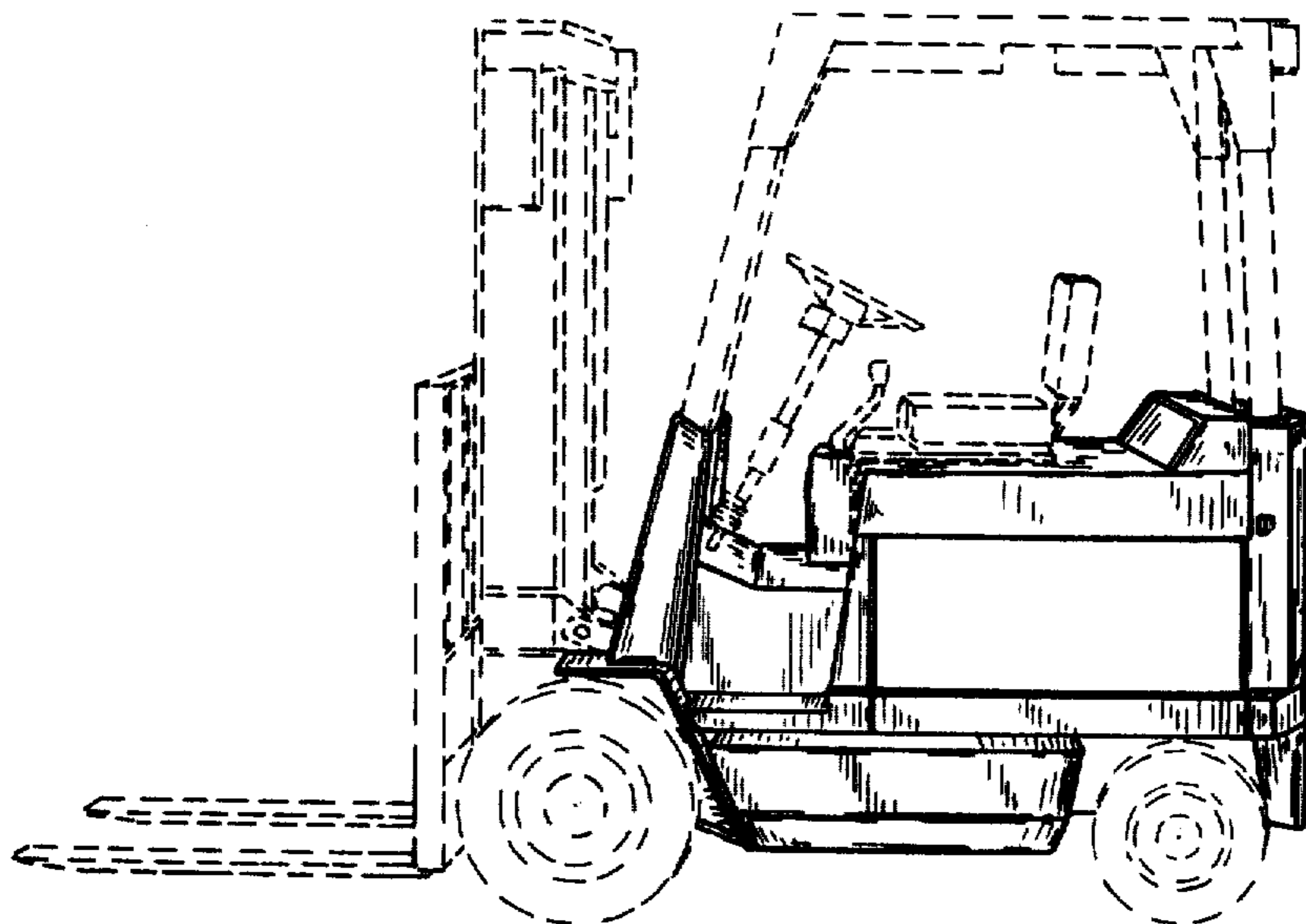


FIG. 4

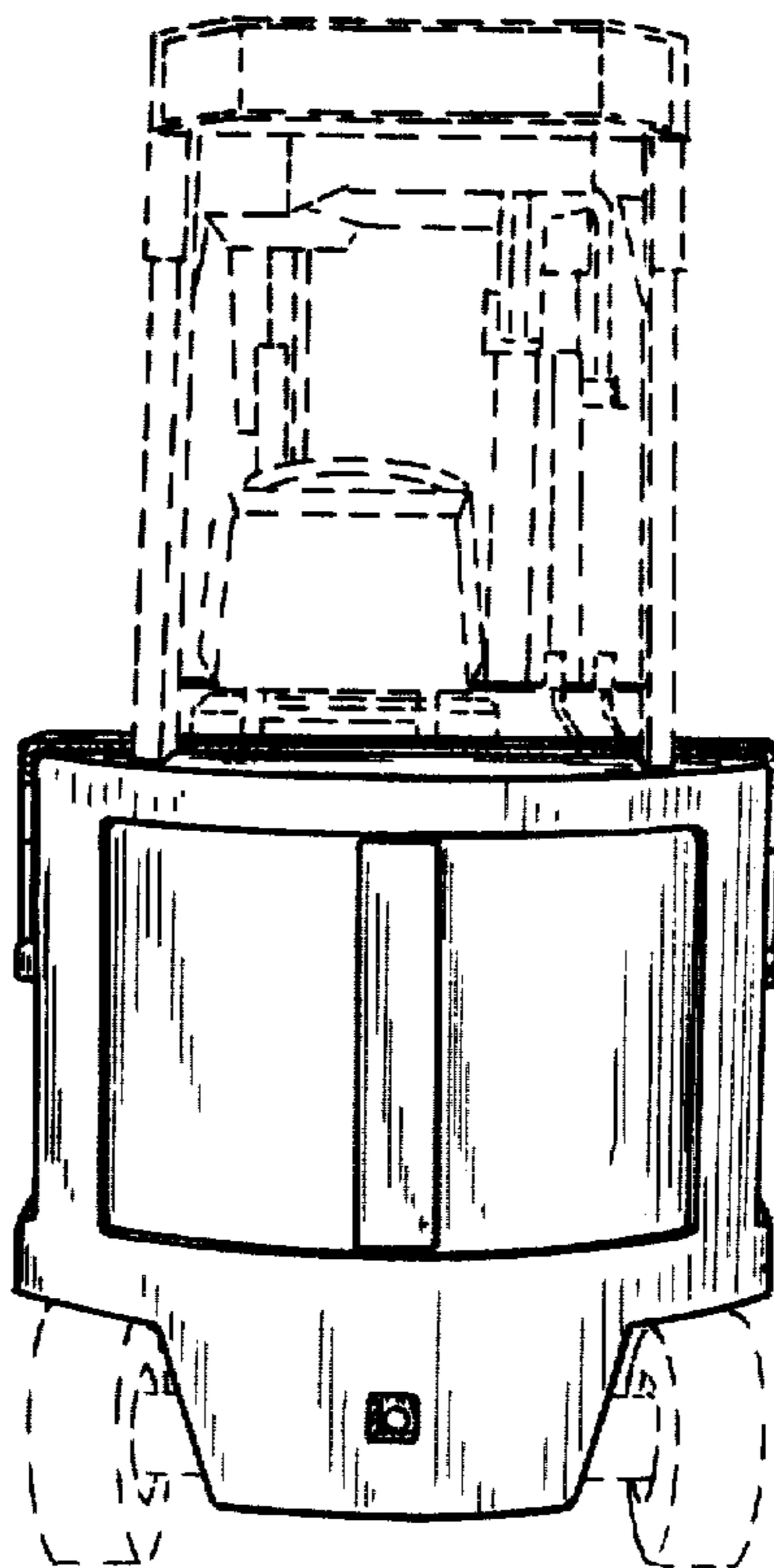


FIG. 5

