

[54] MOBILE CRANE

[75] Inventors: David C. Dowrick, Cedar Rapids; John M. Lanning, Solon, both of Iowa

[73] Assignee: Harnischfeger Corporation, West Milwaukee, Wis.

[\*\*] Term: 14 Years

[21] Appl. No.: 255,755

[22] Filed: Apr. 20, 1981

[51] Int. Cl. .... D12-05

[52] U.S. Cl. .... D34/34

[58] Field of Search ..... D34/34; 180/22; 212/189

[56] References Cited PUBLICATIONS

Industrial Design, 4/73, p. 32, Crane, Box 18. Construction Contracting, 3/79, p. 83, Crane, bottom of page.

Primary Examiner—James M. Gandy Attorney, Agent, or Firm—James E. Nilles

[57] CLAIM

The ornamental design for a mobile crane, substantially as shown.

DESCRIPTION

FIG. 1 is a left, rear perspective view of a mobile crane showing our new design;

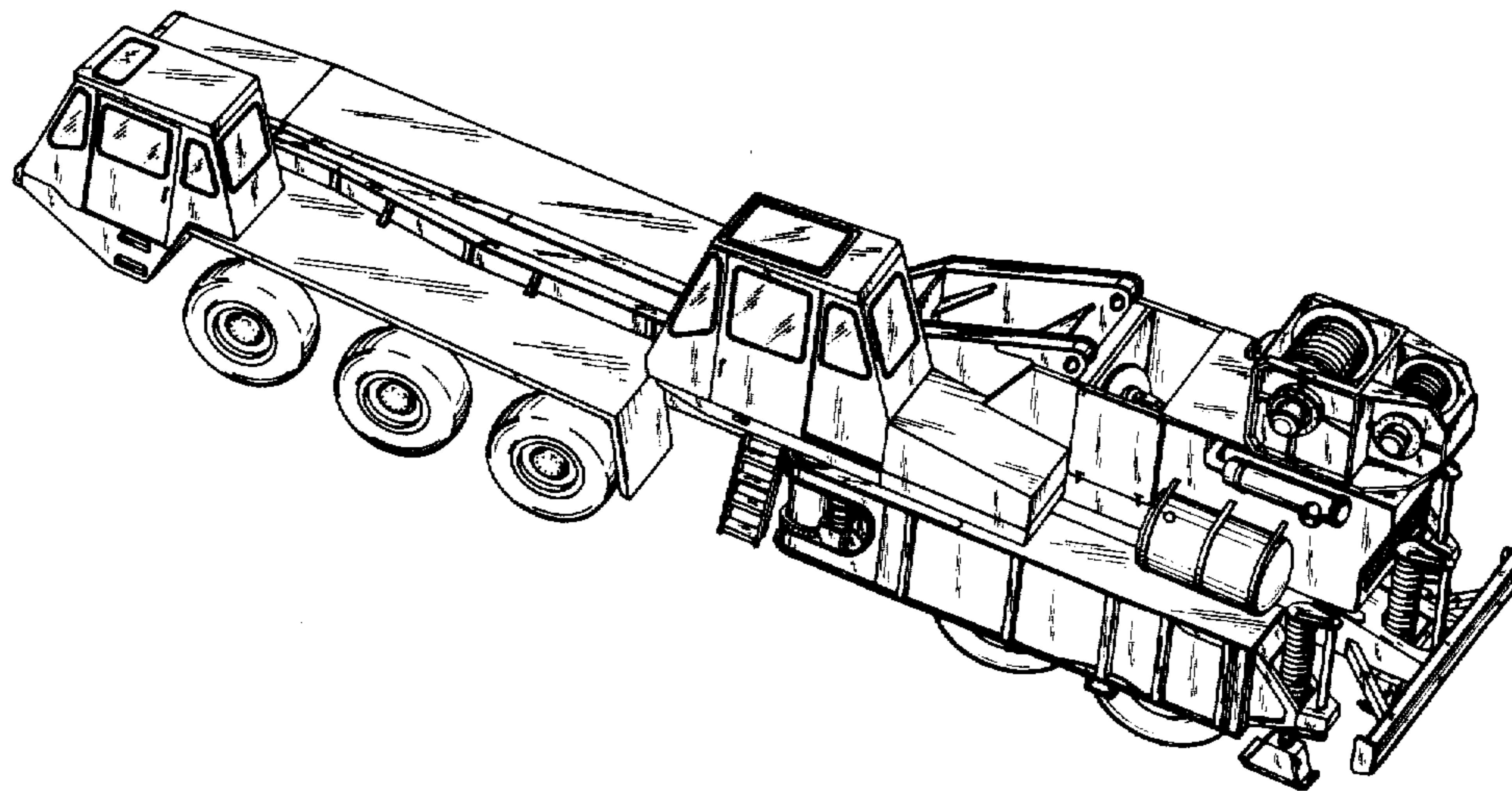
FIG. 2 is a left side elevational view thereof;

FIG. 3 is a right side elevational view thereof;

FIG. 4 is a top plan view thereof;

FIG. 5 is a front elevational view thereof; and

FIG. 6 is a rear elevational view thereof.



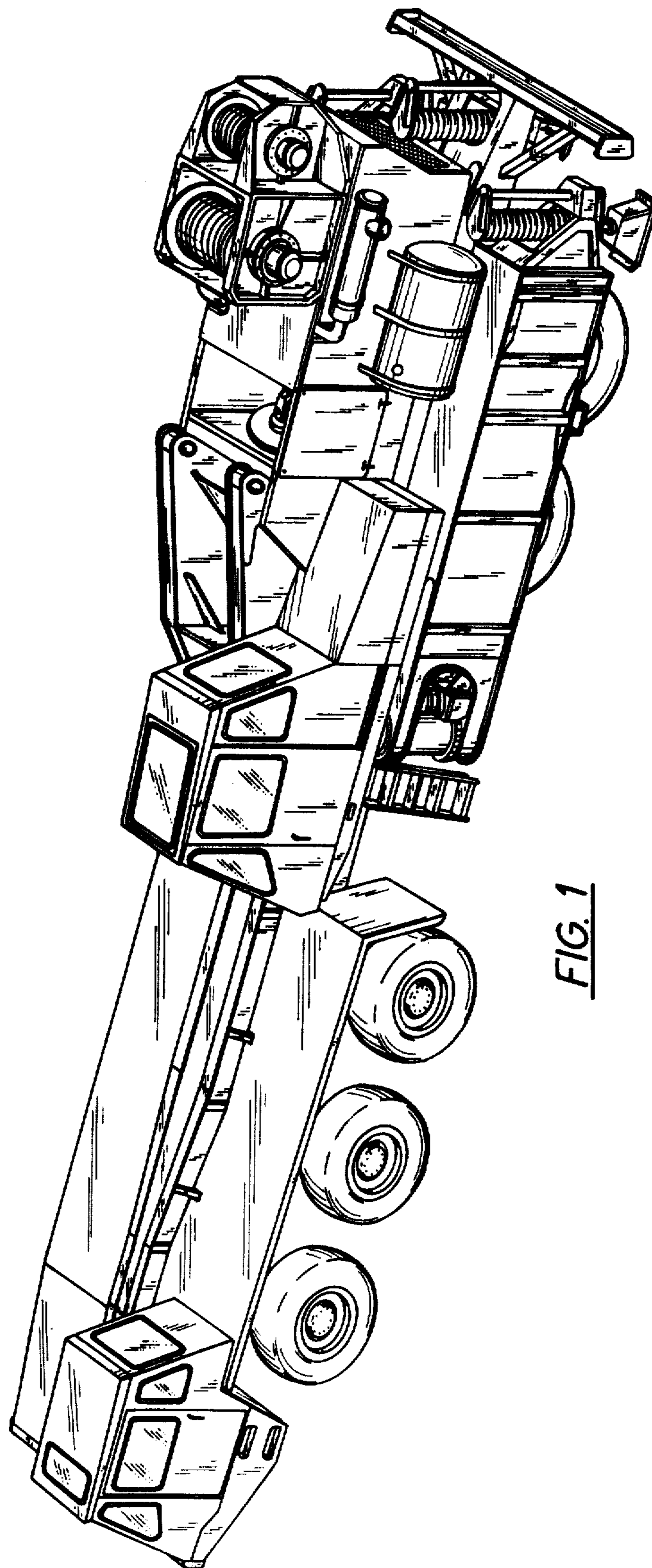


FIG. 1

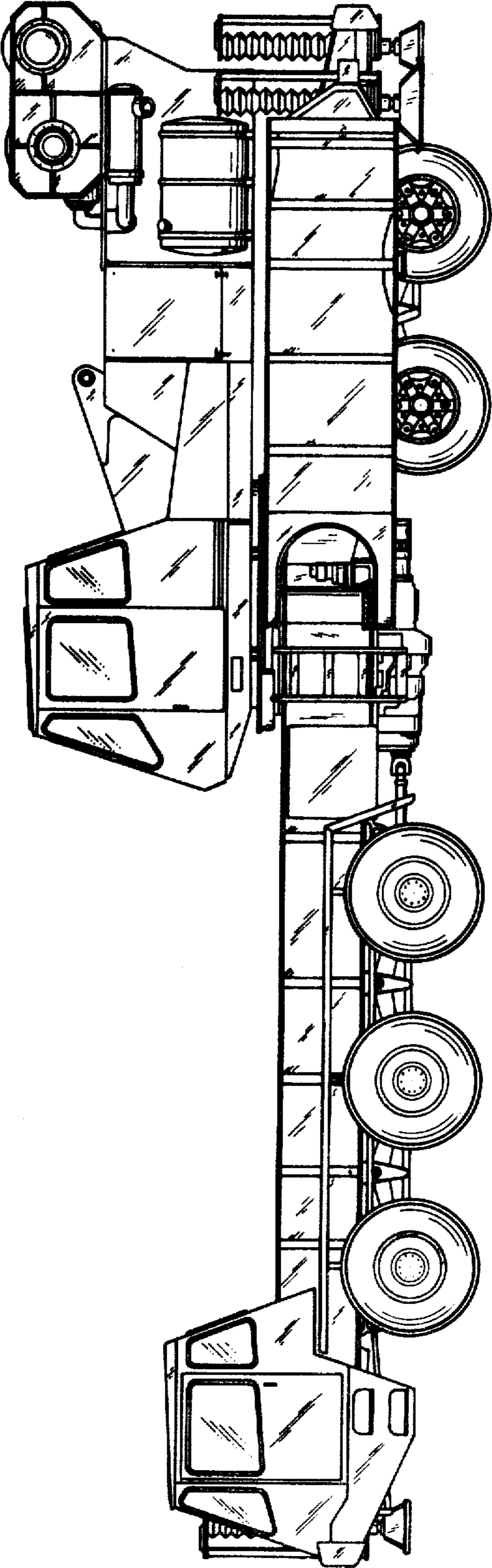


FIG. 2

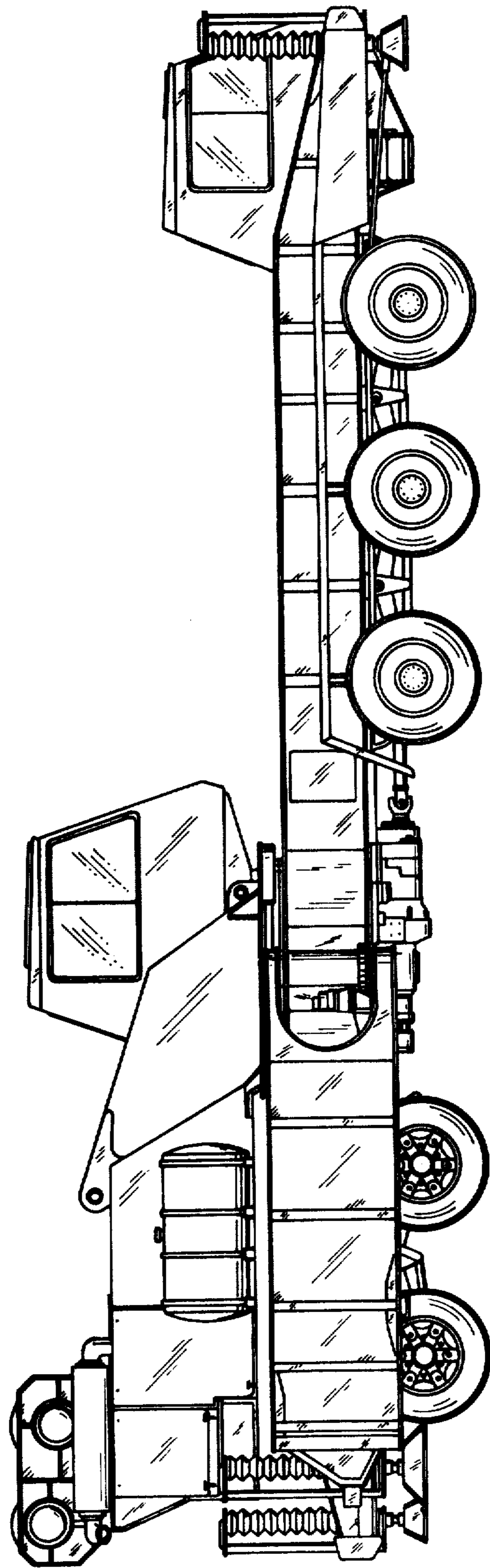


FIG. 3

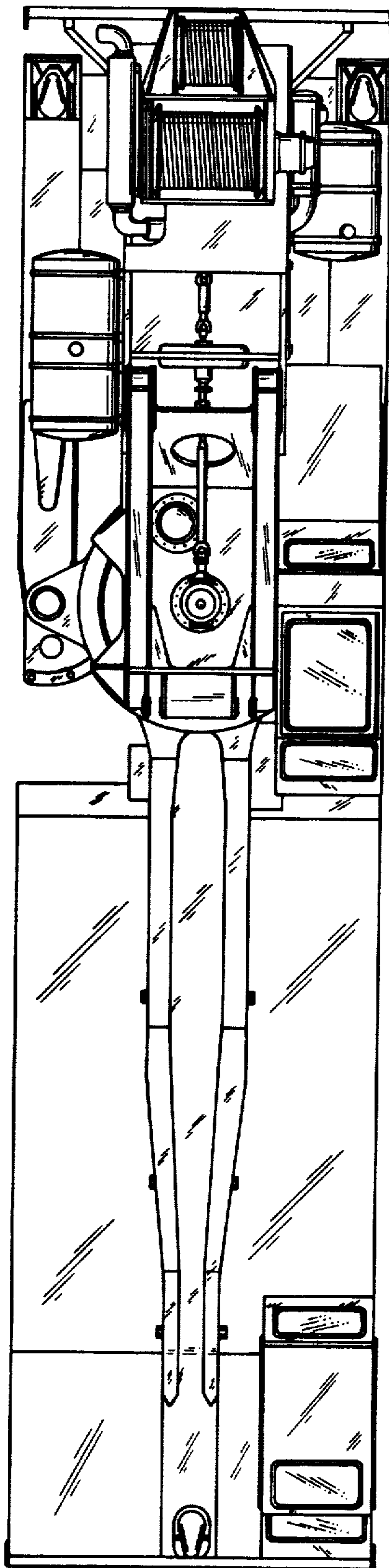


FIG. 4

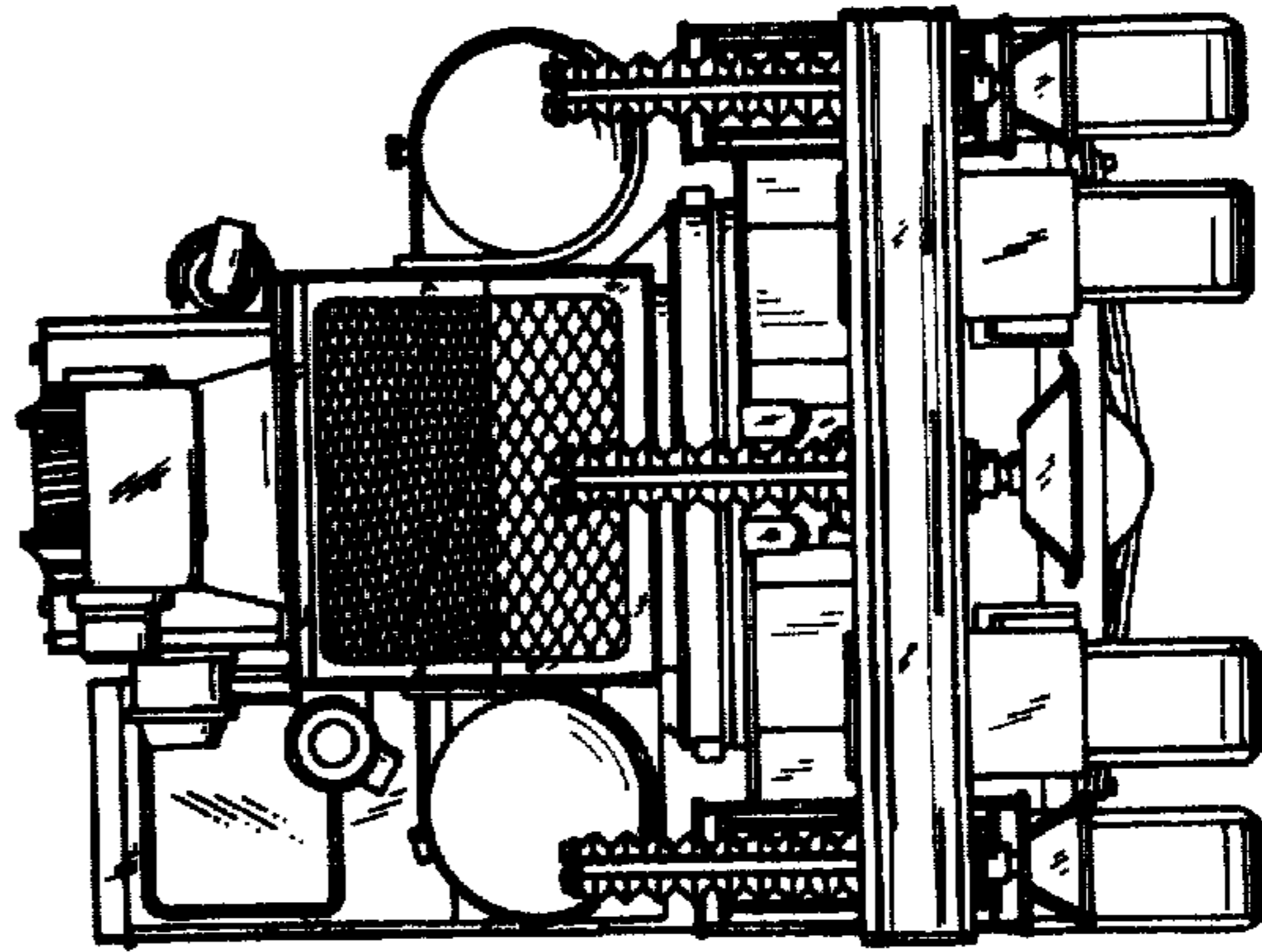


FIG. 6

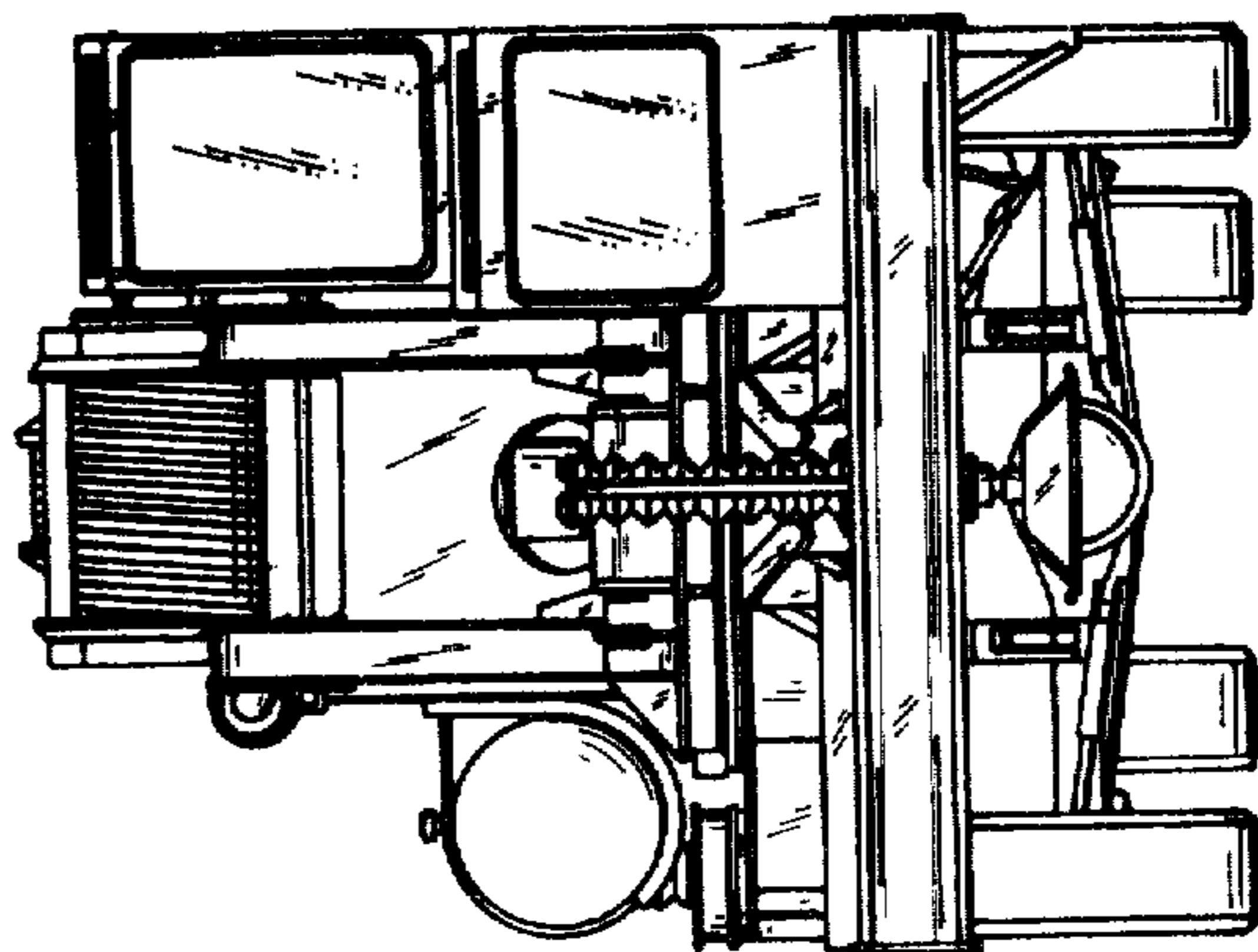


FIG. 5