

[54] **MOBILE RACK FOR HOLDING WIRE**  
 [75] **Inventor: James Sparks, Fitchburg, Mass.**  
 [73] **Assignee: Electronic Assemblies, Inc., N. Billerica, Mass.**  
 [\*\*] **Term: 14 Years**  
 [21] **Appl. No.: 292,876**  
 [22] **Filed: Aug. 14, 1981**

[51] **Int. Cl. .... D06—99**  
 [52] **U.S. Cl. .... D34/21; D6/85; D6/186**  
 [58] **Field of Search ..... D6/85, 157, 186; D3/24, D3/25; D34/17, 21; 211/44, 204, 206; 223/106; 242/55.3, 131, 131.1; 280/47.35, 79.1 A, 79.3**

[56] **References Cited**  
**U.S. PATENT DOCUMENTS**

D. 188,399 7/1960 Link ..... D6/85  
 D. 208,207 8/1967 Zeller ..... D34/21  
 2,490,042 12/1949 Frost ..... 242/131.1

2,994,939 8/1961 Matthews ..... 242/55.3

**OTHER PUBLICATIONS**

*Hardware Age*, Oct. 1979, p. 149; "Chain Center" by Taylor; rack on page.  
*Hardware Age*, Feb. 1980, PC-9; "Chain Center" by CM Chain; rack at far left of page.  
*Hardware Age*, Jul. 1980, p. 1; "Electrical Wire Center" by Carol; rack at far right of page.

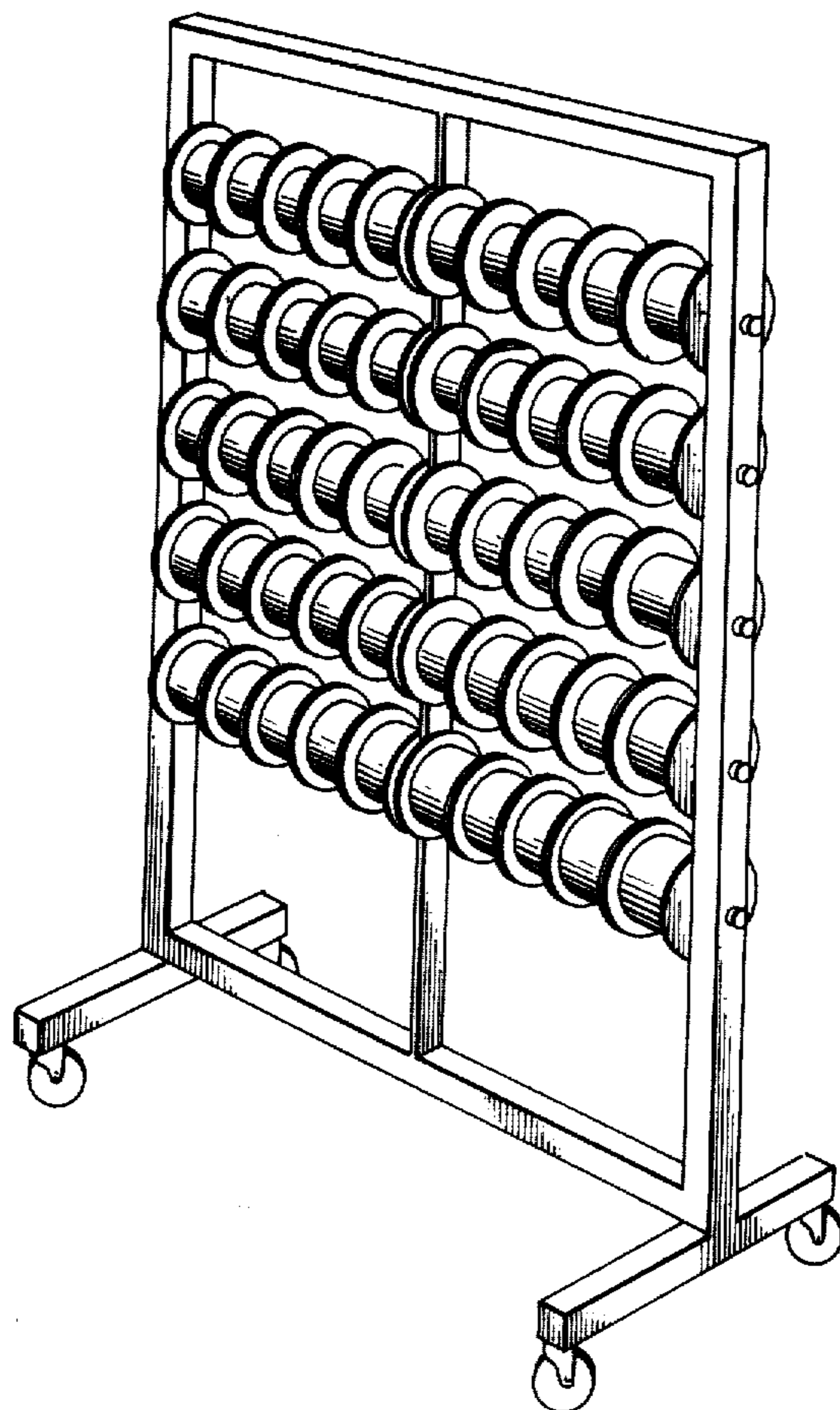
*Primary Examiner*—Joel Stearman  
*Assistant Examiner*—Carmen H. Vales  
*Attorney, Agent, or Firm*—Lahive & Cockfield

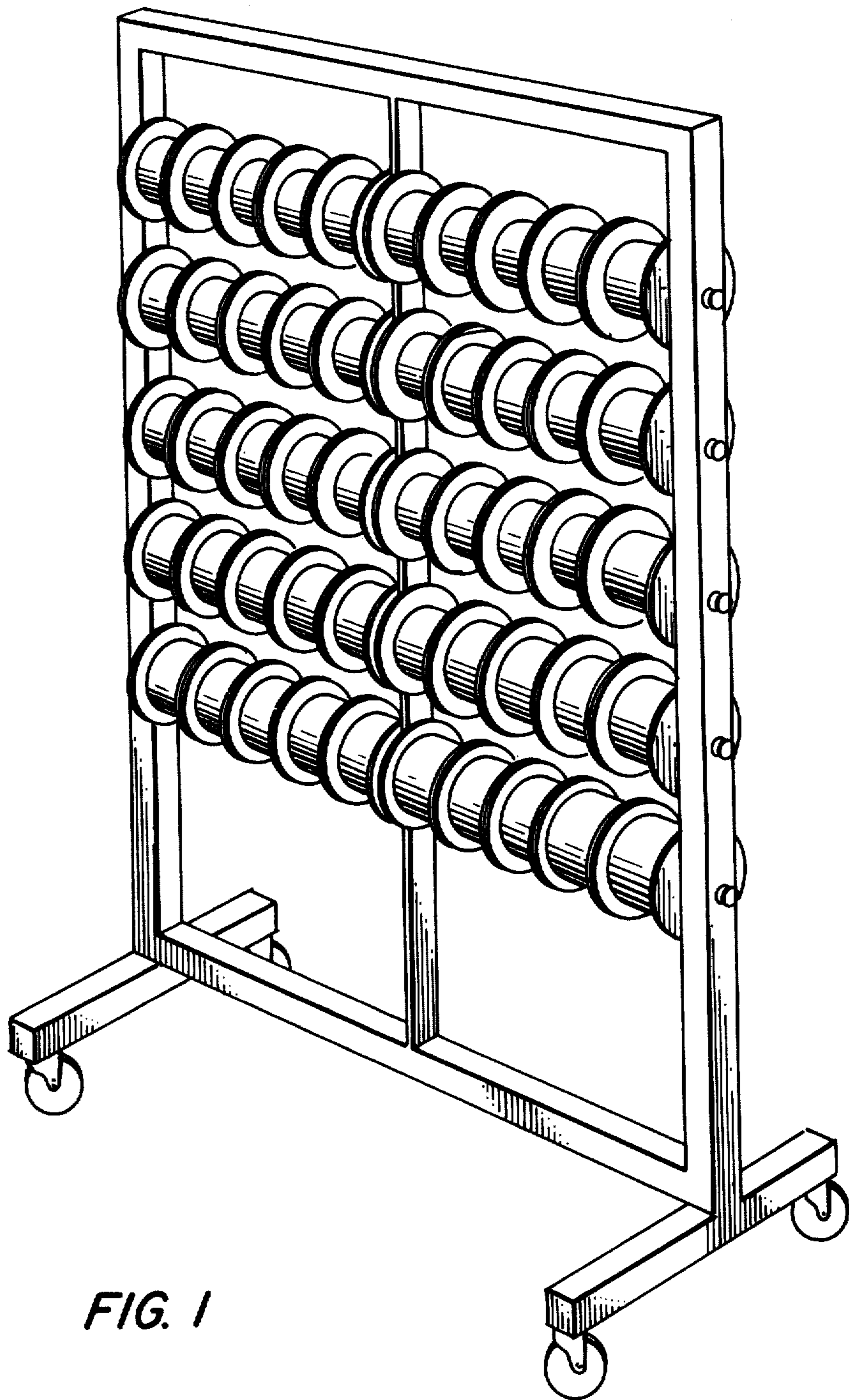
[57] **CLAIM**

The ornamental design for a mobile rack for holding wire, substantially as shown.

**DESCRIPTION**

FIG. 1 is a perspective view of a mobile rack for holding wire showing my new design; FIG. 2 is a front elevational view thereof; and FIG. 3 is a side elevational view thereof.





*FIG. 1*

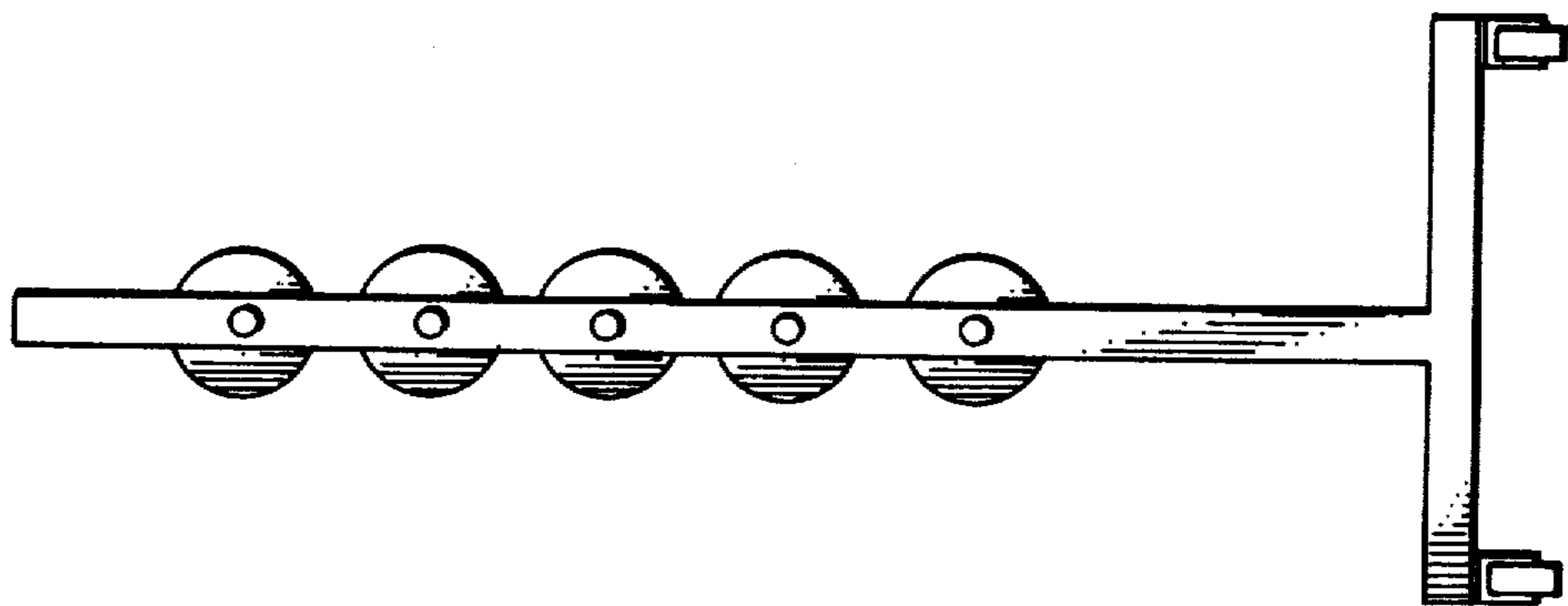


FIG. 3

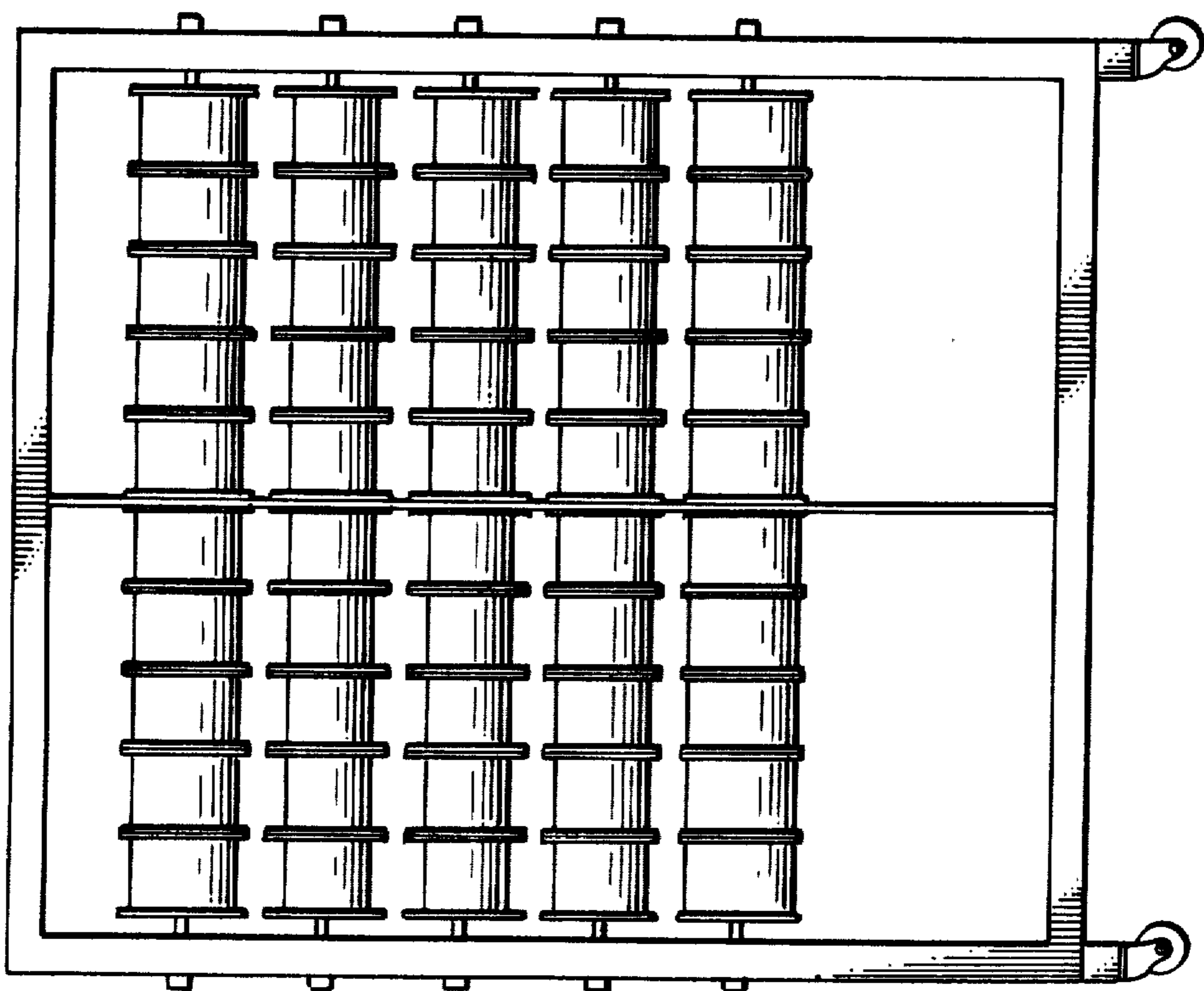


FIG. 2