

[54] BUILDING

[76] Inventor: Rex W. Beasley, III, 32 Springwood, Irvine, Calif. 92714

[**] Term: 14 Years

[21] Appl. No.: 252,176

[22] Filed: Apr. 8, 1981

[51] Int. Cl. D25-03

[52] U.S. Cl. D25/1; D25/32; D25/33; D25/59

[58] Field of Search D25/1, 33, 59, 32

[56] References Cited

U.S. PATENT DOCUMENTS

D. 83,477	2/1931	Stewart	D25/59
D. 130,028	10/1941	Leabo	D25/33
D. 149,775	5/1948	Rubaloff	D25/59
D. 151,715	11/1948	Rettinger	D25/33
D. 179,733	2/1957	Kress	D25/59

Primary Examiner—A. Hugo Word

Attorney, Agent, or Firm—William E. Mouzavires

[57] CLAIM

The ornamental design for a building, as shown and described.

DESCRIPTION

FIG. 1 is a perspective view of the front right corner of a building showing my new design;

FIG. 2 is a perspective view of the front left corner thereof;

FIG. 3 is a rear perspective view thereof;

FIG. 4 is a top plan view thereof;

FIG. 5 is a front view thereof;

FIG. 6 is a perspective view of the front right corner of a building showing a second embodiment of my design;

FIG. 7 is a perspective view of the front left corner thereof;

FIG. 8 is a perspective view of the front right corner of a building showing a third embodiment of my design;

FIG. 9 is a perspective view of the front left corner thereof; and

FIG. 10 is a rear perspective view thereof.

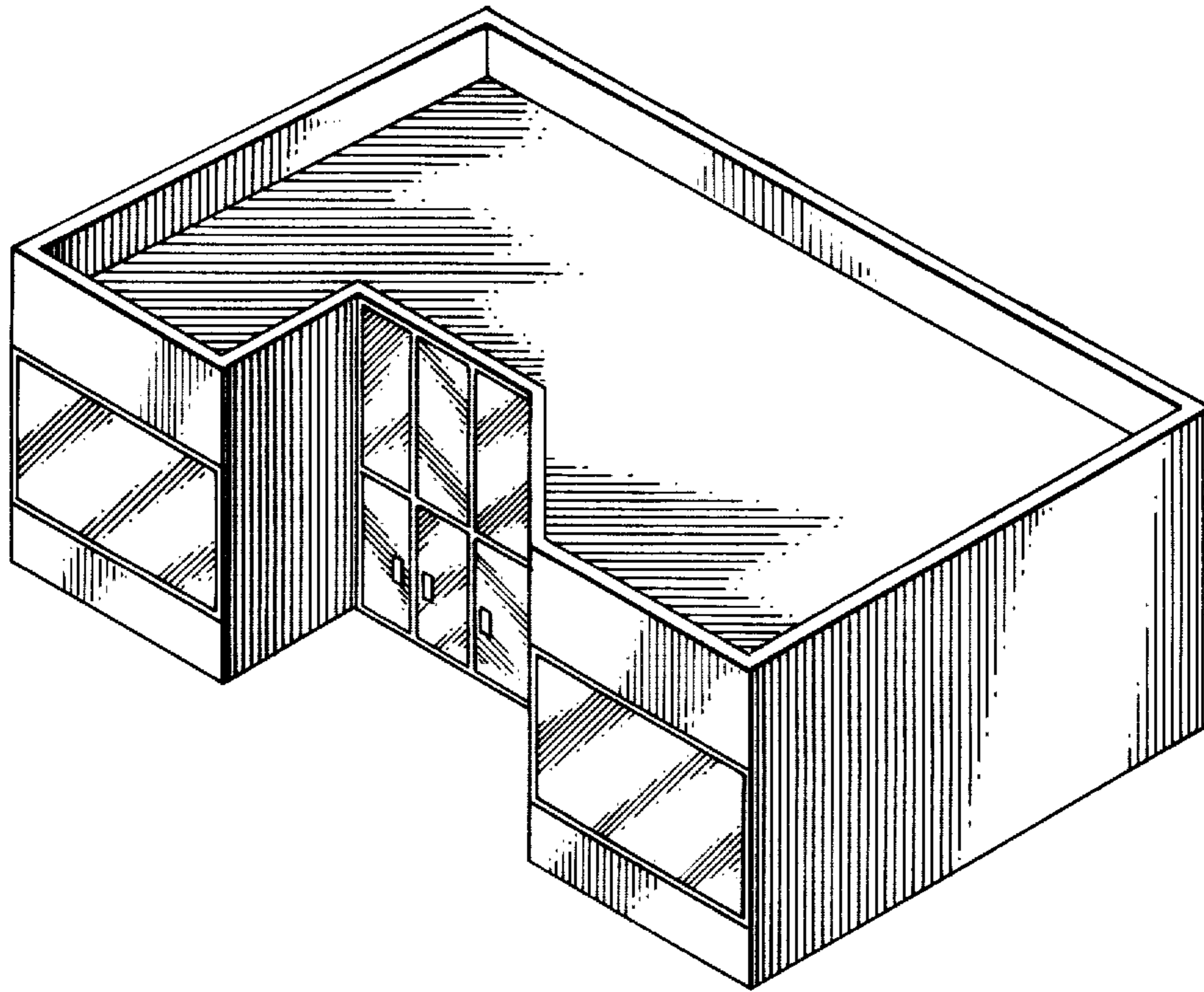


FIG. 1.

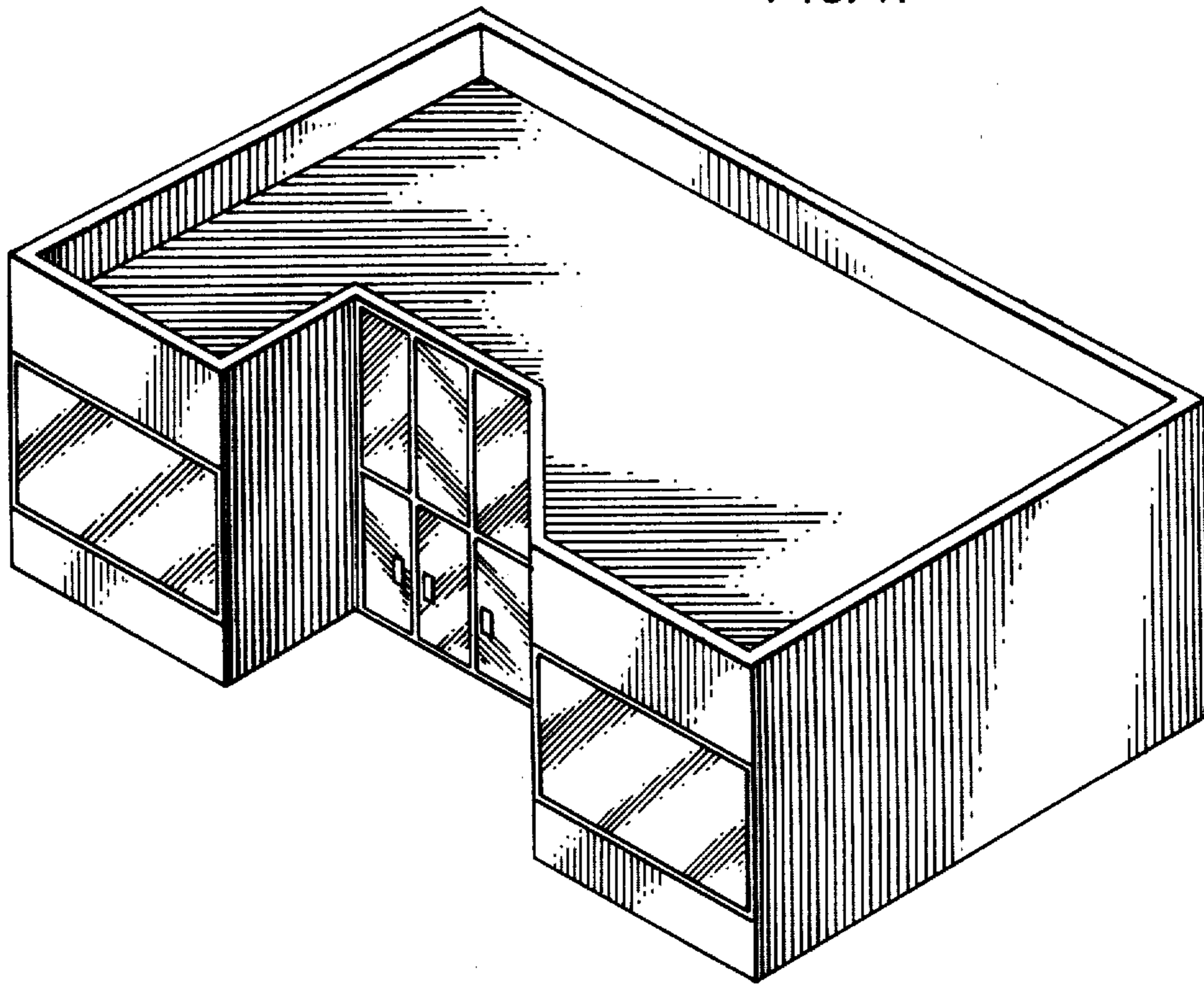
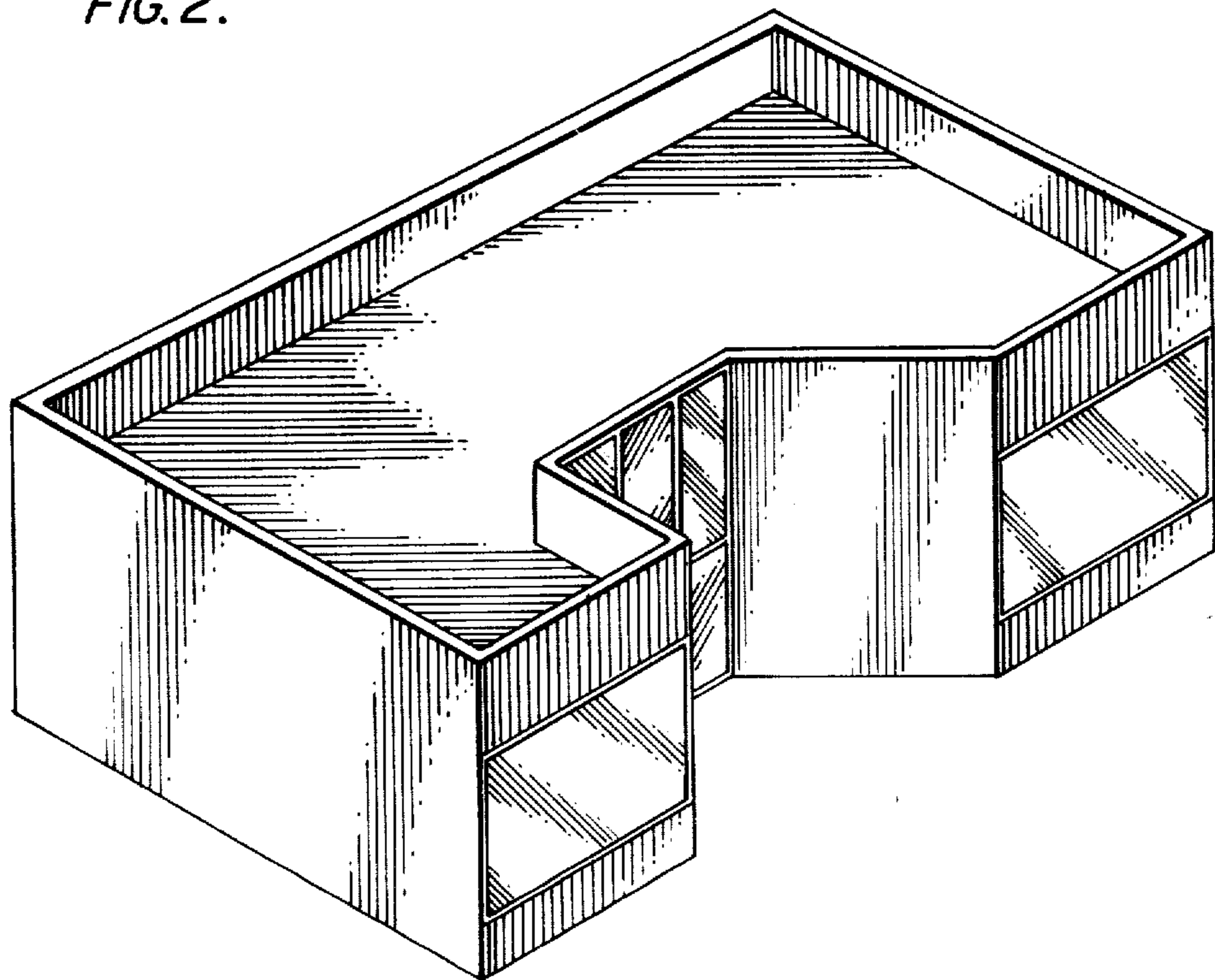


FIG. 2.



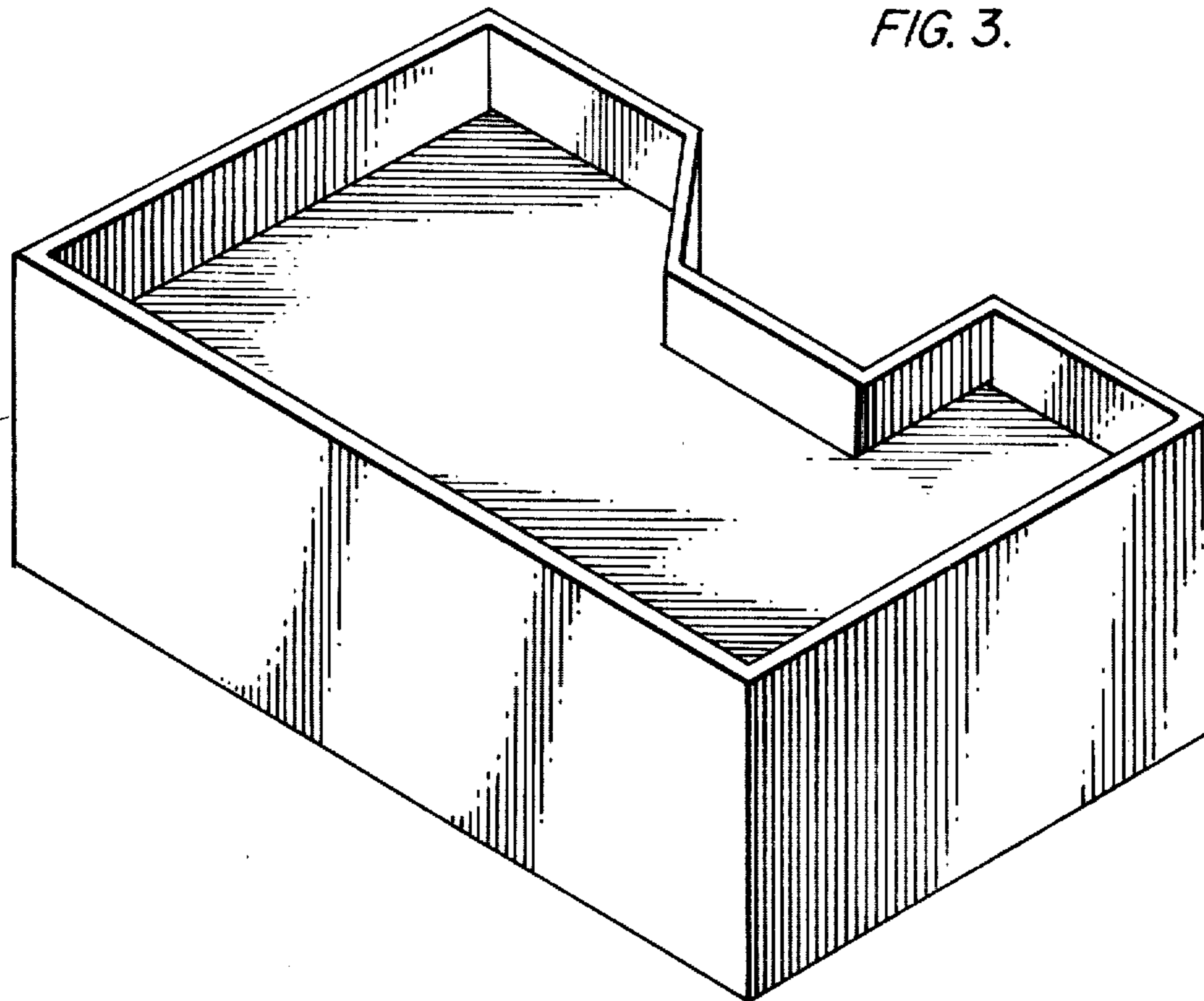


FIG. 4.

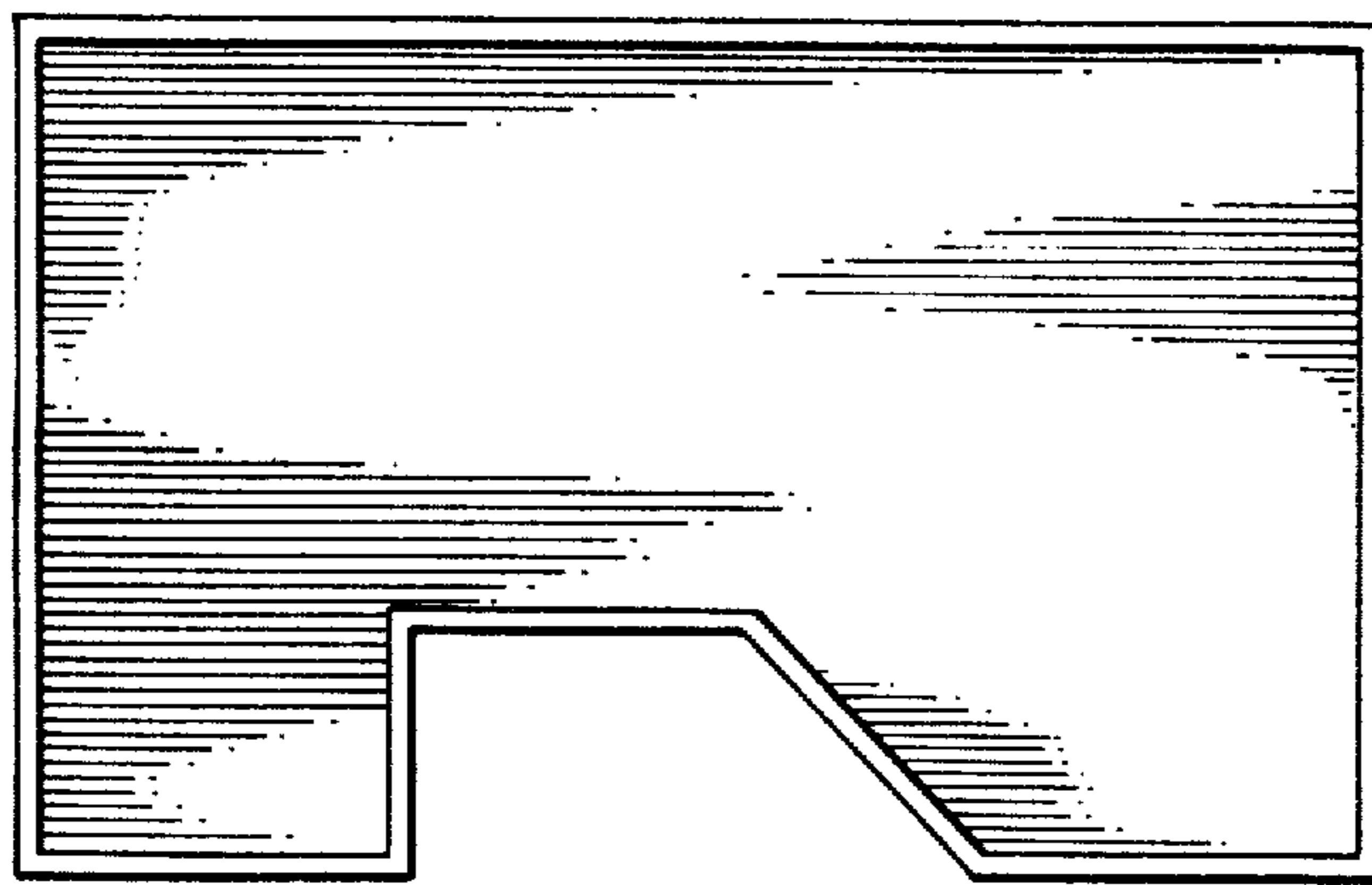


FIG. 5.

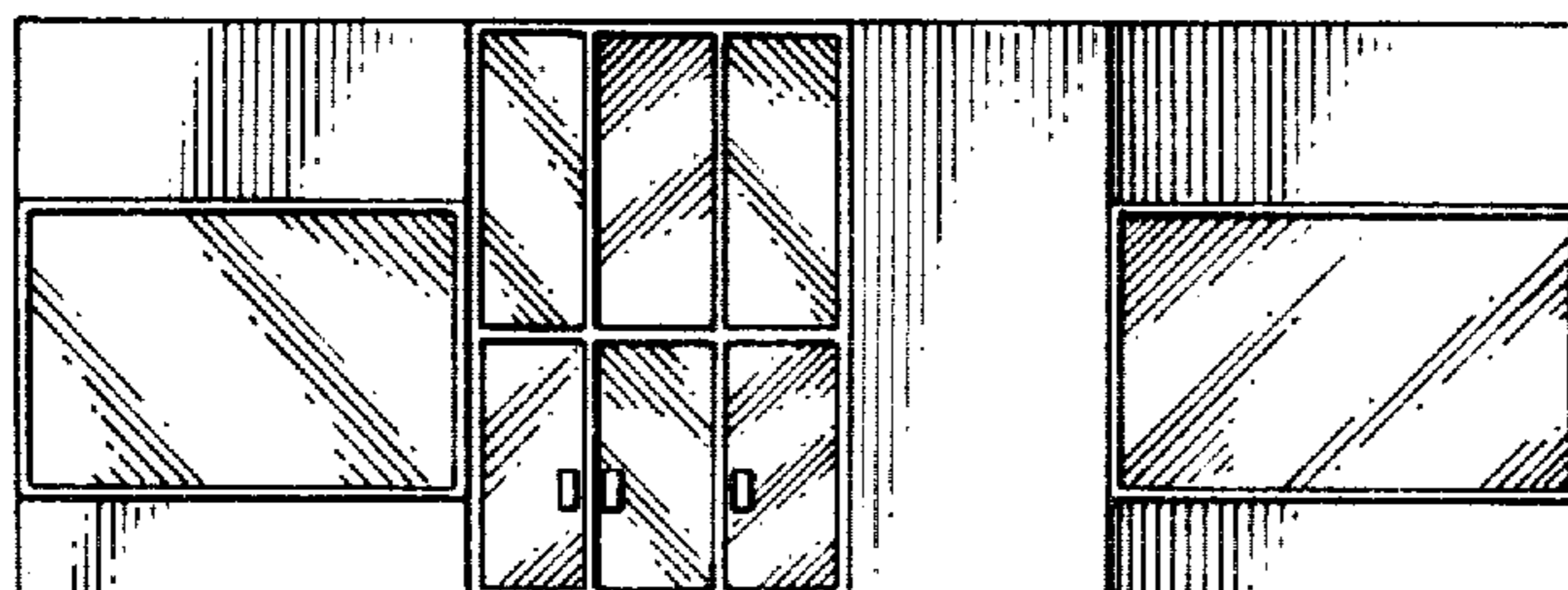


FIG. 6.

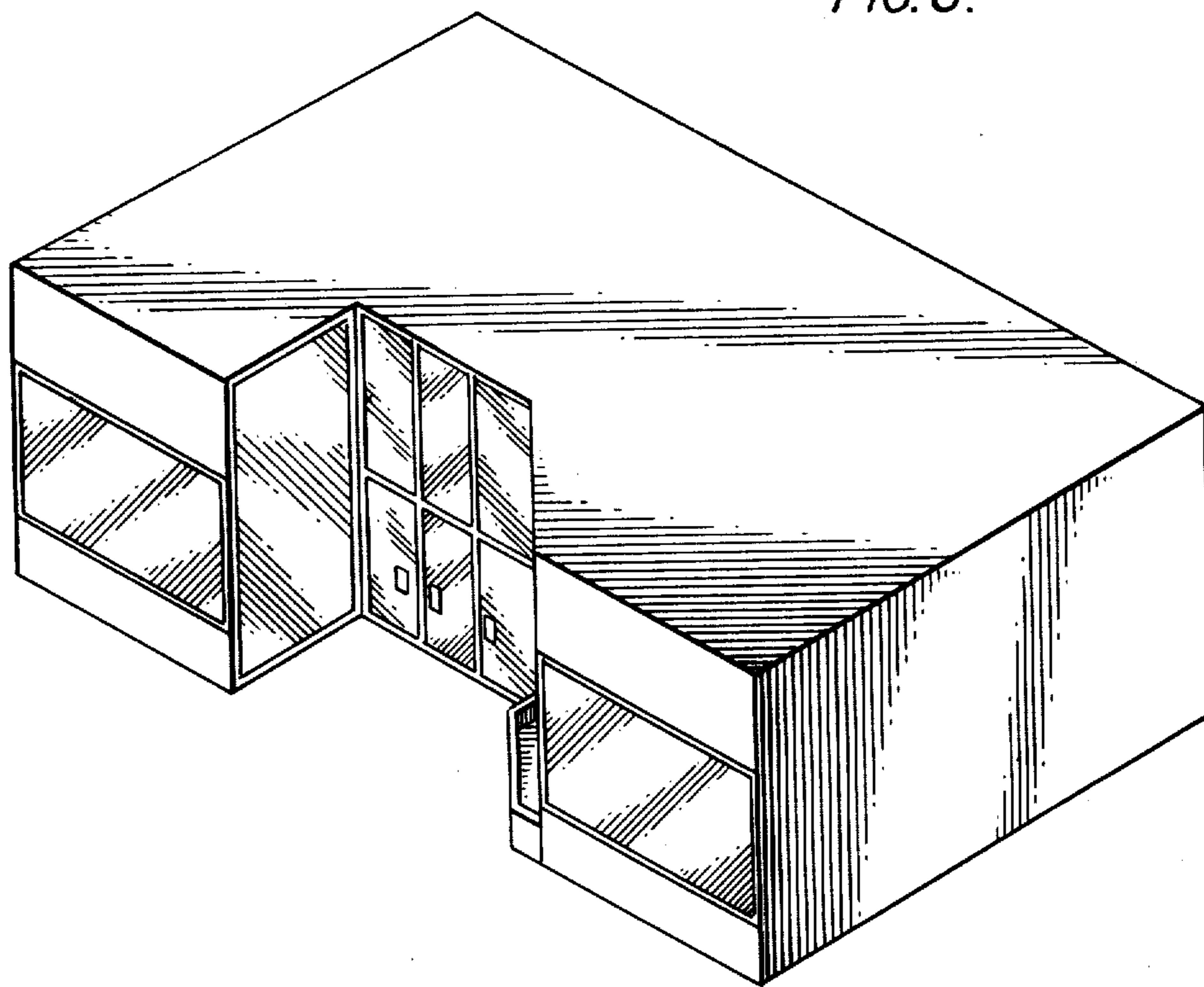


FIG. 7.

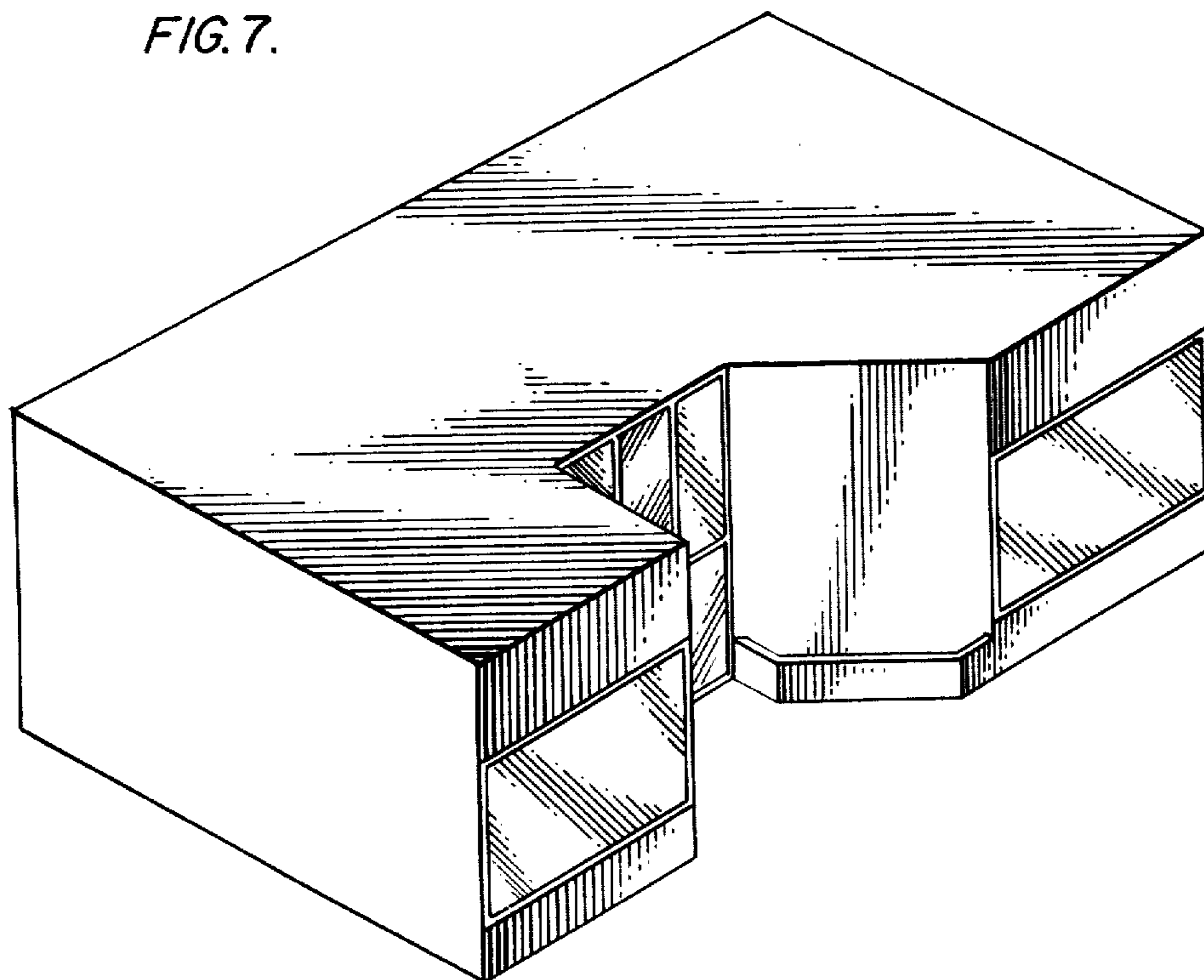


FIG. 8.

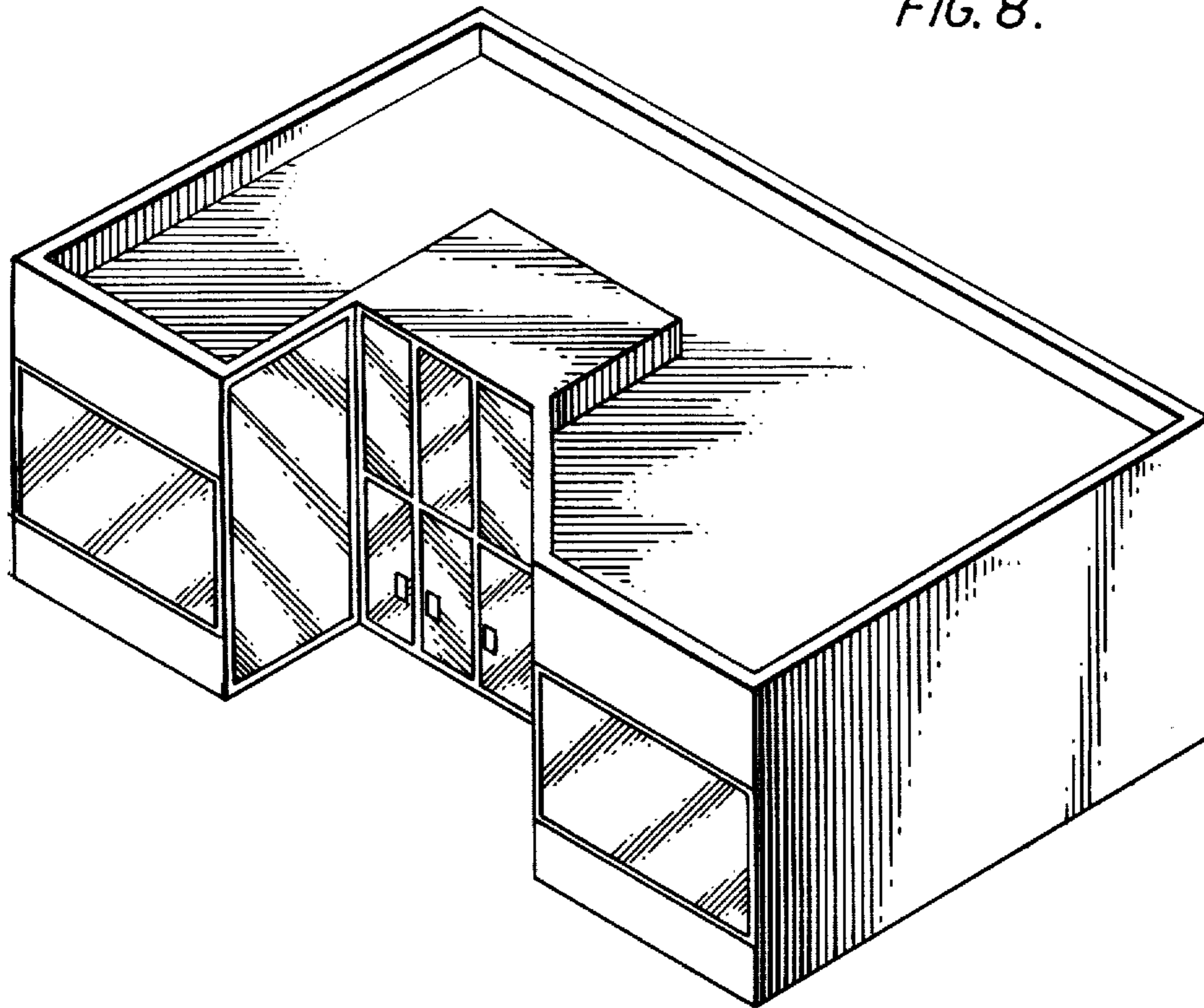


FIG. 9.

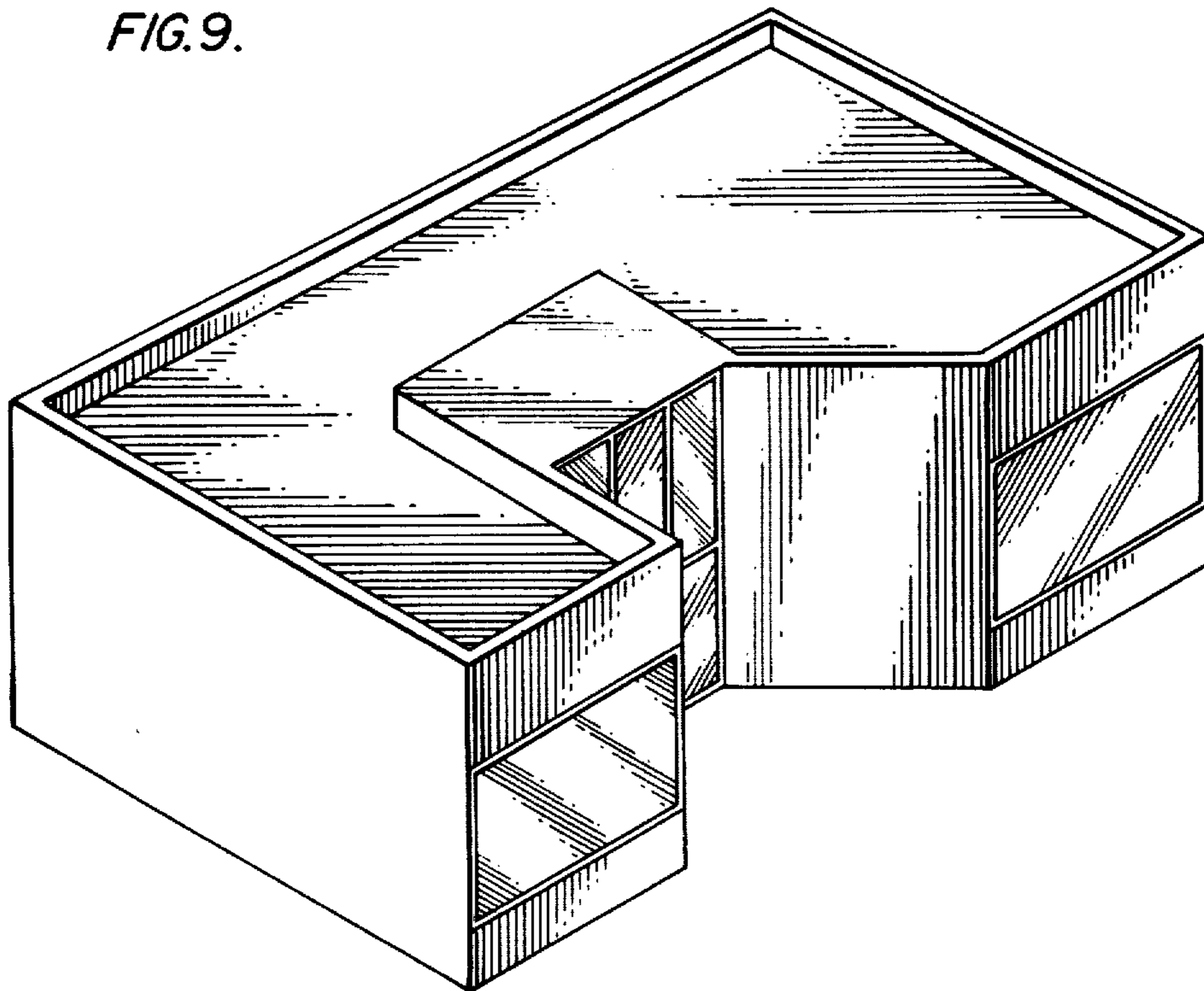


FIG. 10.

