

[54] **SANITARY FITTING FOR A BIDET**

[75] **Inventor:** Wolfgang Fabian, Mannheim, Fed. Rep. of Germany

[73] **Assignee:** American Standard Inc., New York, N. Y.

[**] **Term:** 14 Years

[21] **Appl. No.:** 378,365

[22] **Filed:** May 14, 1982

Related U.S. Application Data

[62] Division of Ser. No. 92,874, Nov. 9, 1979.

[30] **Foreign Application Priority Data**

Jun. 13, 1979 [DE] Fed. Rep. of Germany 79/3

[51] **Int. Cl.** D23-01

[52] **U.S. Cl.** D23/23

[58] **Field of Search** D23/23-32

[56] **References Cited**

U.S. PATENT DOCUMENTS

D. 65,301	7/1924	Ross	D23/23
D. 185,503	6/1959	Kohler	D23/23
D. 207,985	6/1967	Maguire	D23/23
D. 217,605	5/1970	Young	D23/32
D. 253,607	12/1979	Haug	D23/23

Primary Examiner—James R. Largen
Attorney, Agent, or Firm—J. J. Salerno, Jr.; R. G. Crooks; J. P. Sinnott

[57] **CLAIM**

The ornamental design for a sanitary fitting for a bidet, substantially as shown and described.

DESCRIPTION

FIG. 1 is a perspective view taken from the top, front and right side of a sanitary fitting for a bidet showing my new design;

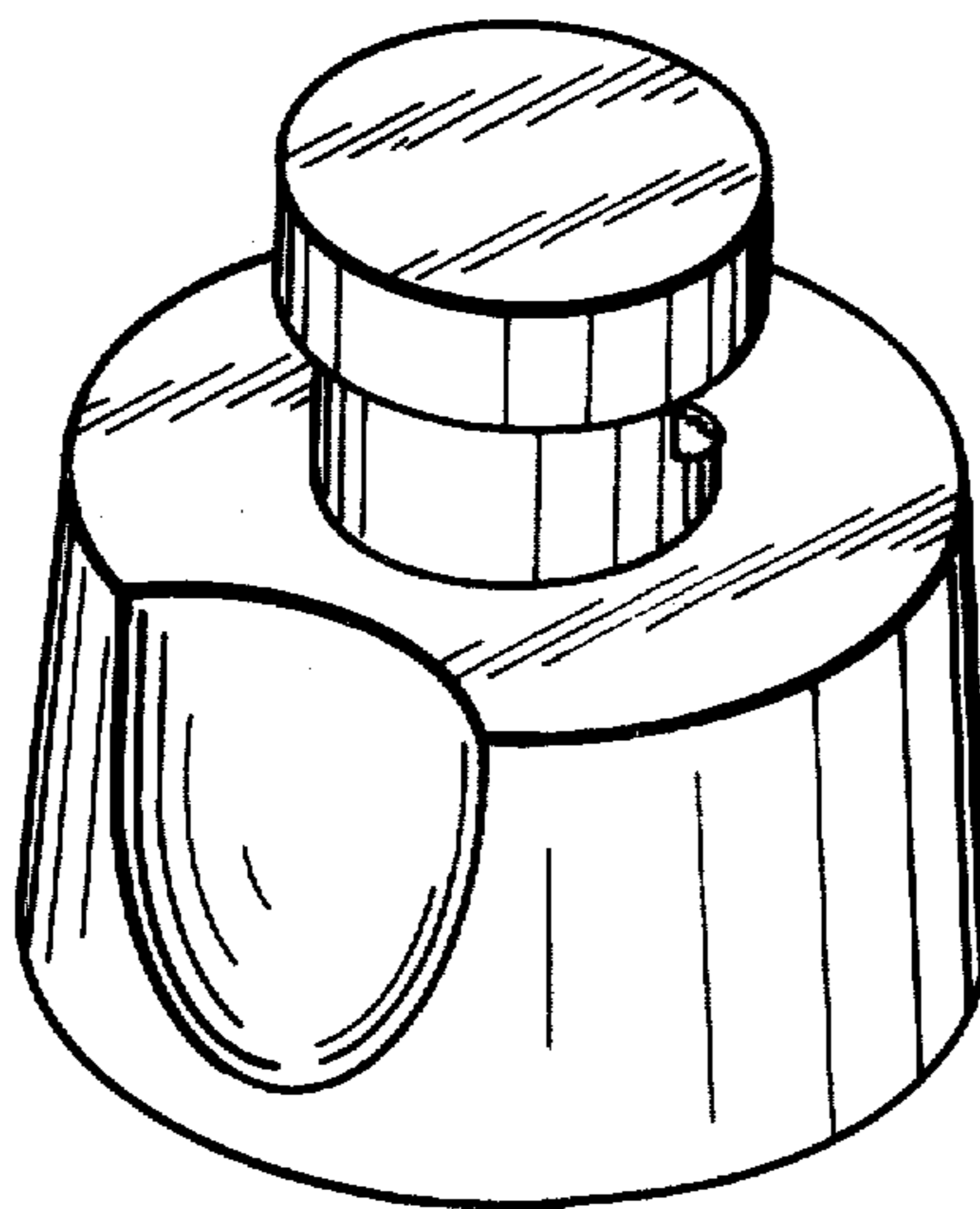
FIG. 2 is a right side elevational view thereof; the left side being a mirror image of the right side shown;

FIG. 3 is a front elevational view thereof;

FIG. 4 is a top plan view thereof;

FIG. 5 is a bottom plan view thereof; and

FIG. 6 is a rear elevational view thereof.



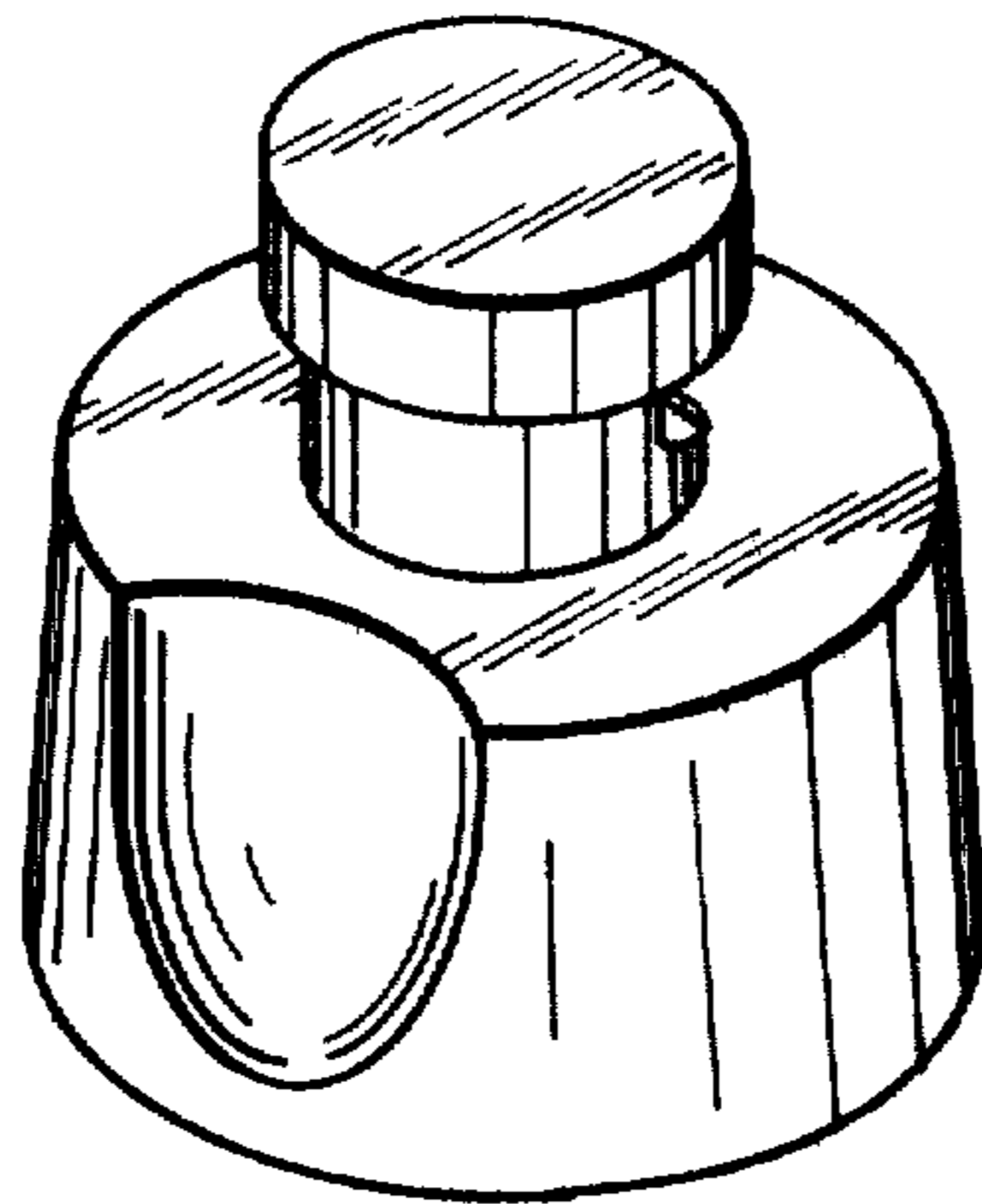


FIG. 1

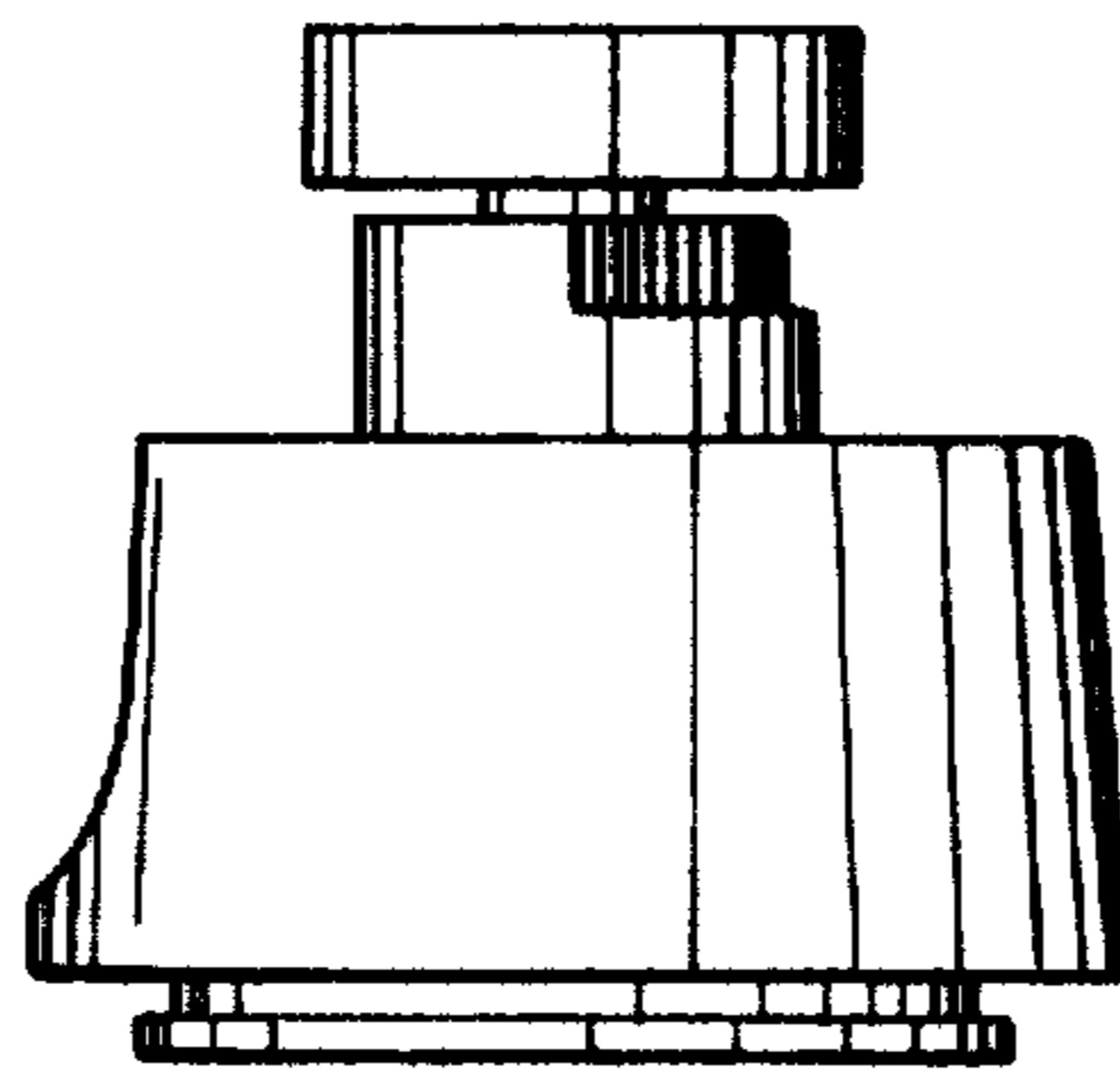


FIG. 2

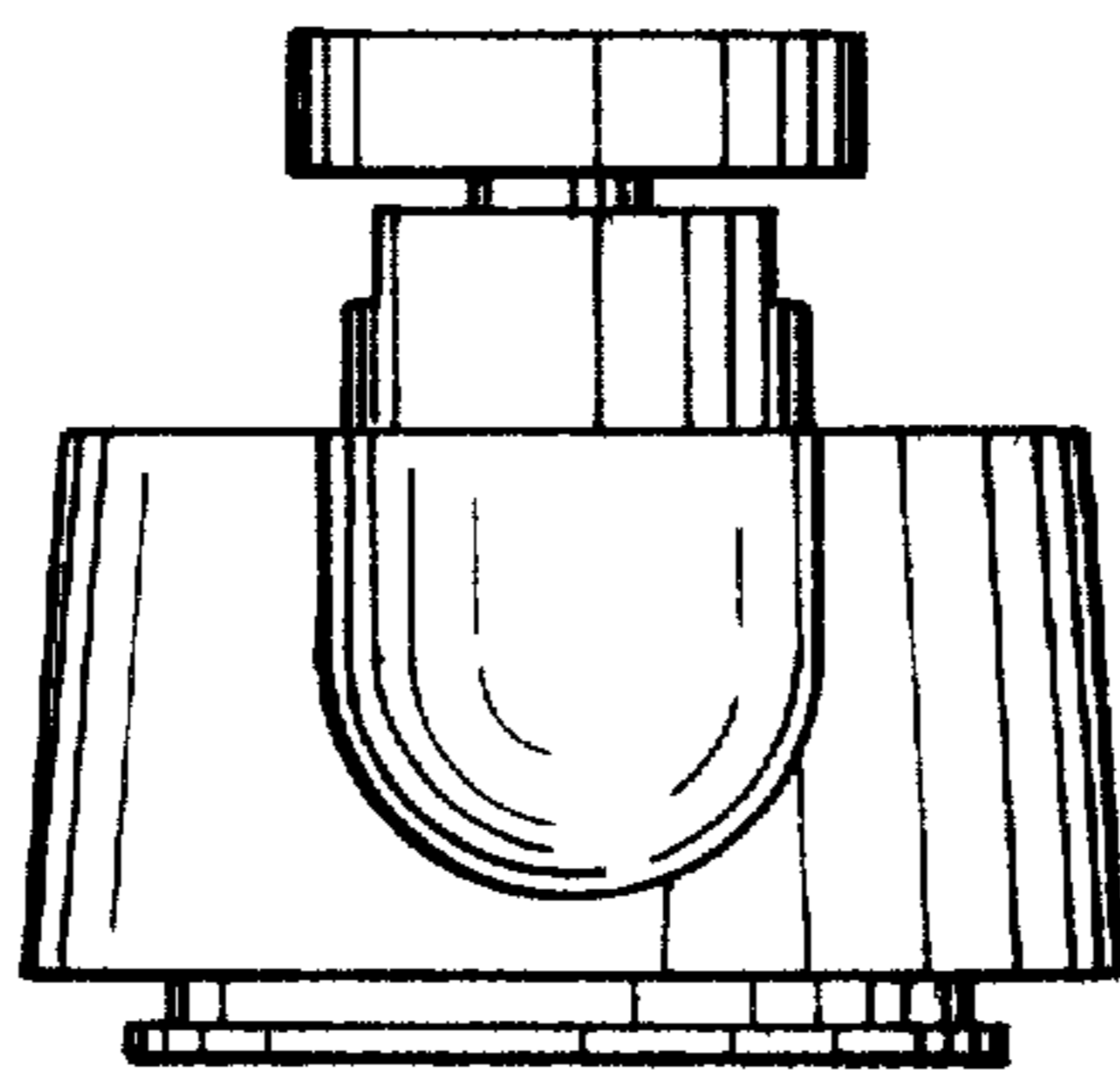


FIG. 3

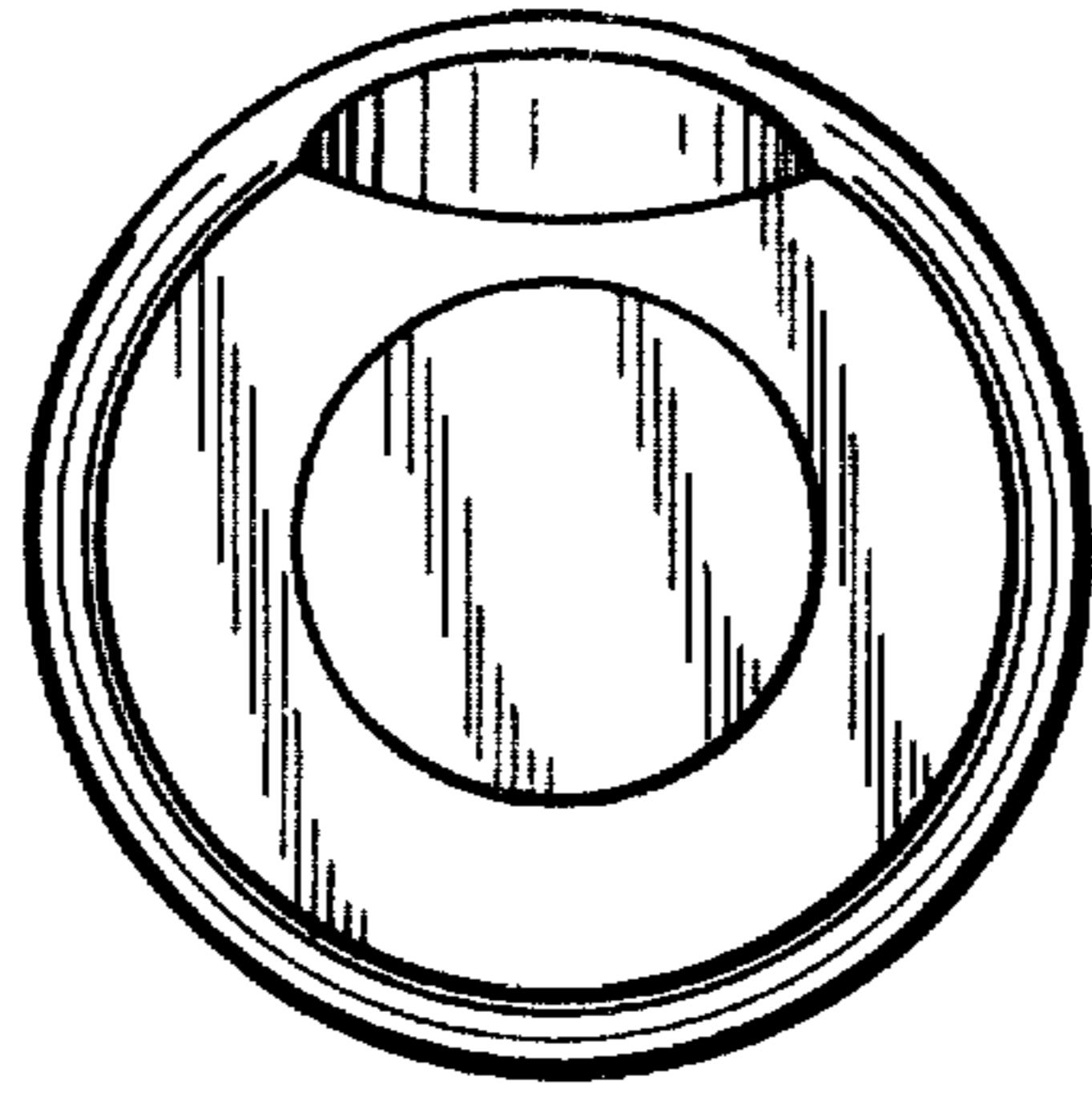


FIG. 4

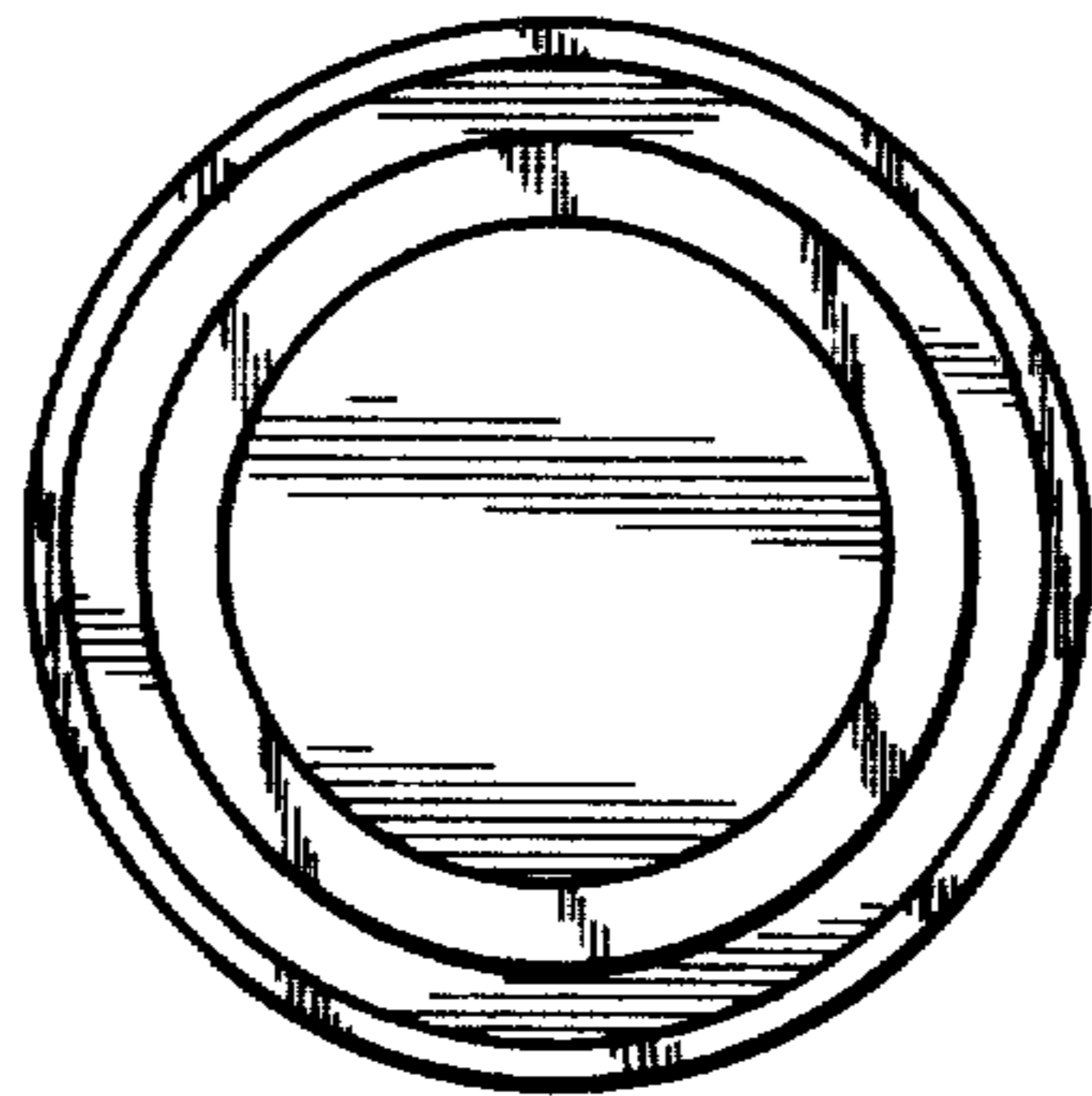


FIG. 5

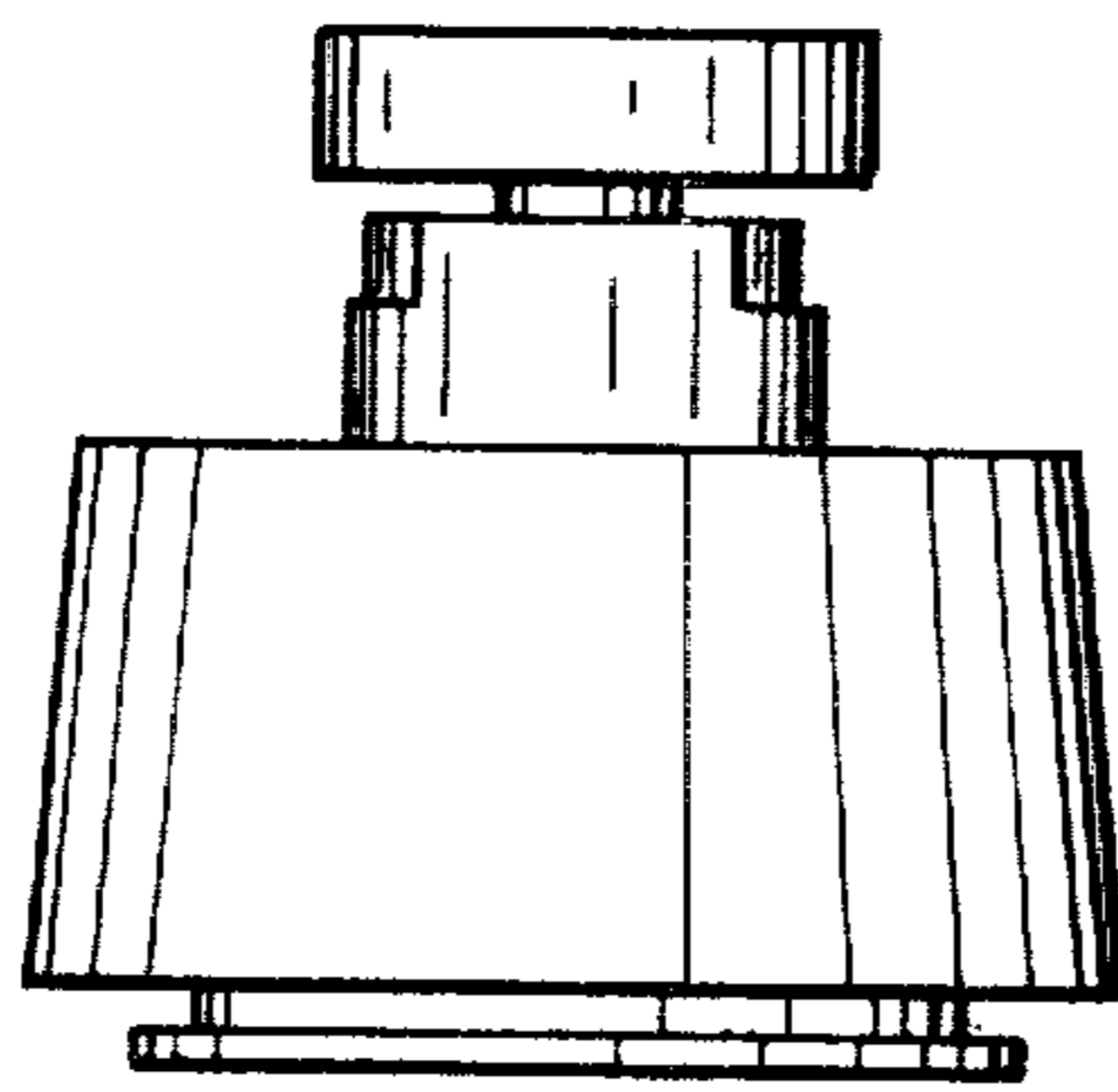


FIG. 6