

[54] DUAL LIQUID ICE PROBE

[76] Inventor: Daniel E. Burns, 1805 Onda, Camarillo, Calif. 93010

[**] Term: 14 Years

[21] Appl. No.: 293,530

[22] Filed: Aug. 17, 1981

[51] Int. Cl. D23-01

[52] U.S. Cl. D23/1; D23/17

[58] Field of Search D23/1, 17; 62/185, 321; 239/548, 549, 565

[56] References Cited

U.S. PATENT DOCUMENTS

1,499,202 6/1924 Coutu 239/565

3,040,992 6/1962 Wiegand 239/549
4,249,388 2/1981 Burns 62/185

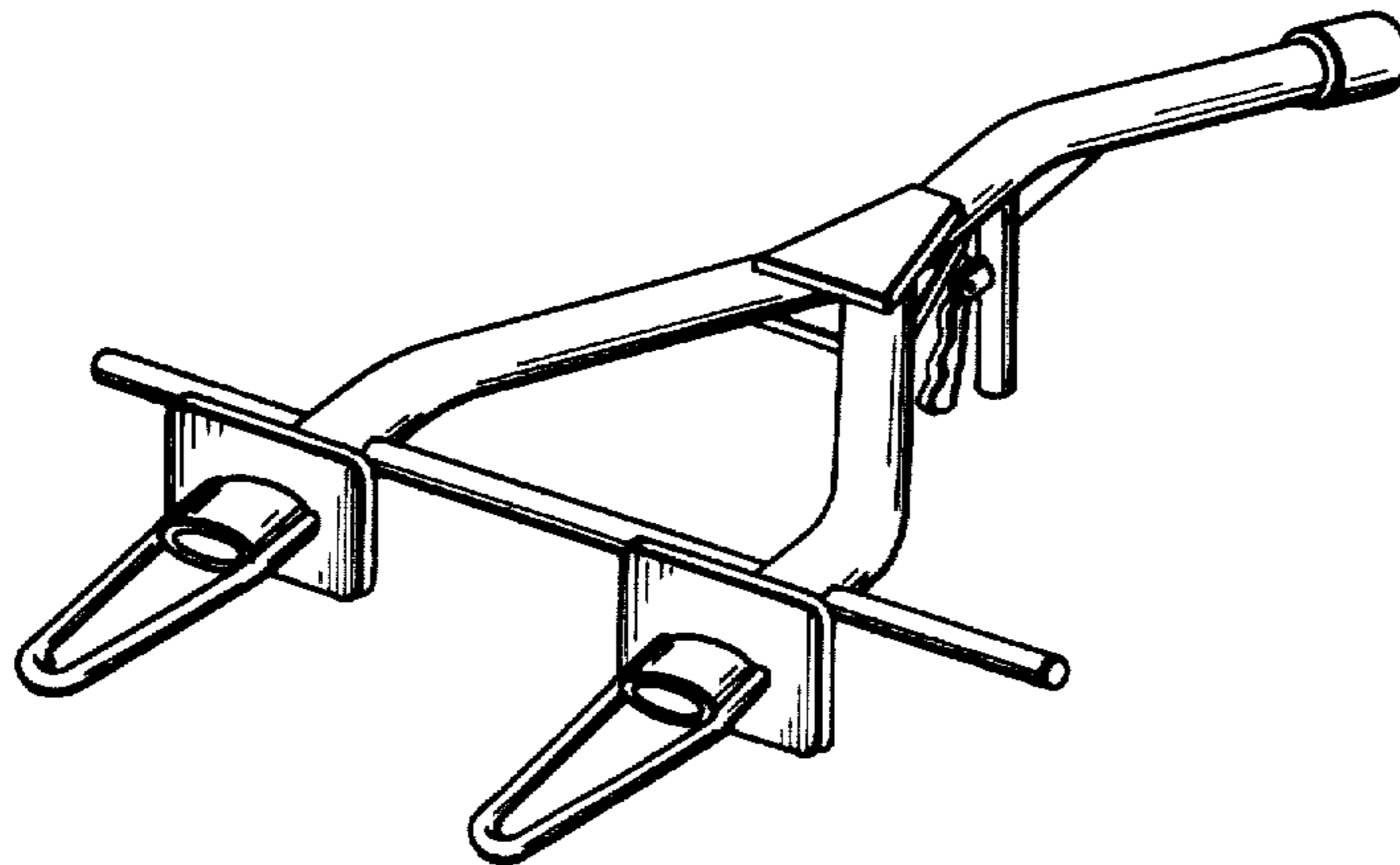
Primary Examiner—Wallace R. Burke
Assistant Examiner—Lynn Wilder
Attorney, Agent, or Firm—Ralph B. Pastoriza

[57] CLAIM

The ornamental design for a dual liquid ice probe, substantially as shown.

DESCRIPTION

FIG. 1 is a perspective view of a dual liquid ice probe showing my new design;
FIG. 2 is a side elevational view thereof;
FIG. 3 is a front elevational view thereof;
FIG. 4 is a rear elevational view thereof;
FIG. 5 is a top plan view thereof; and,
FIG. 6 is a bottom plan view thereof.



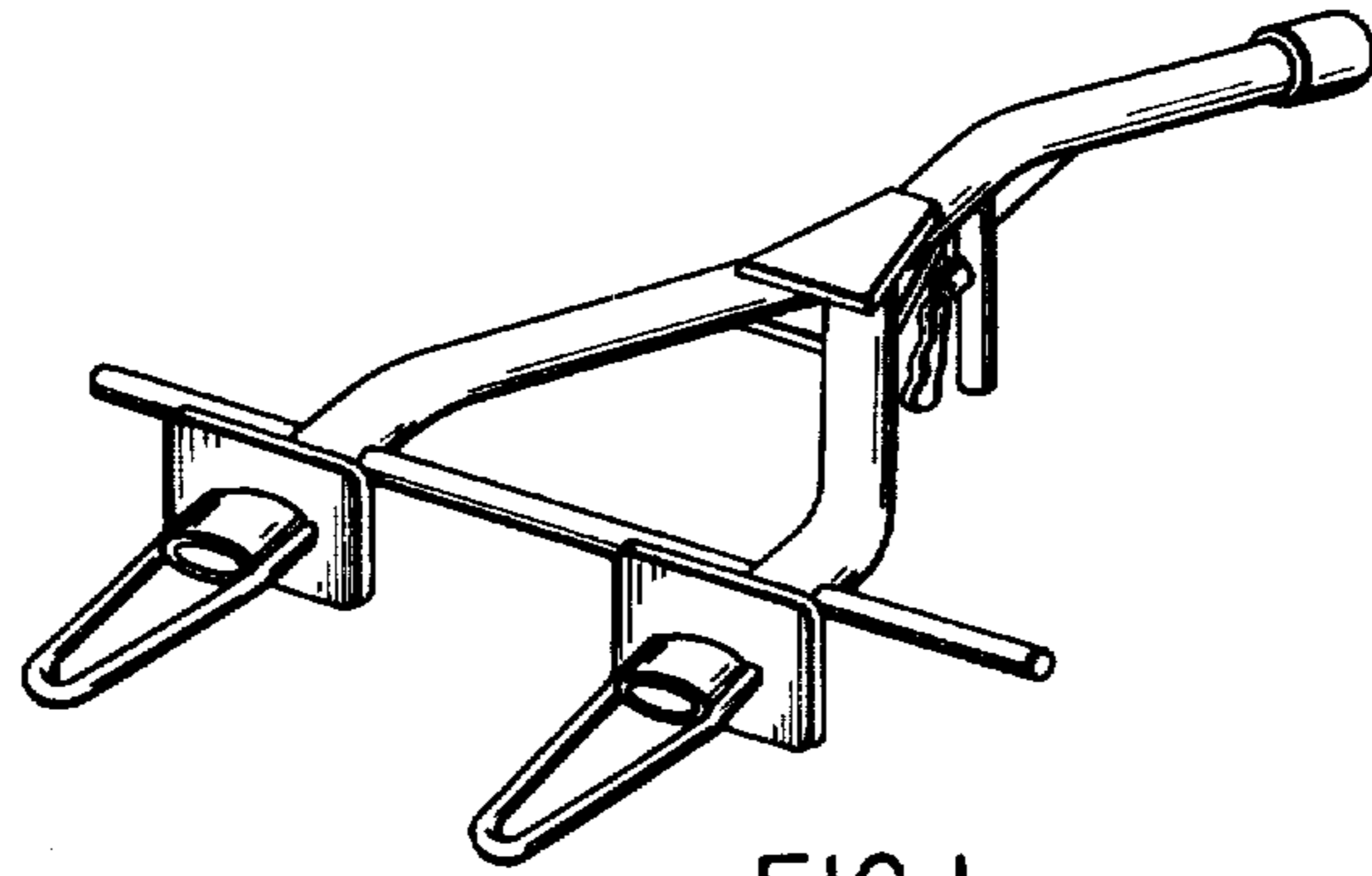


FIG. 1

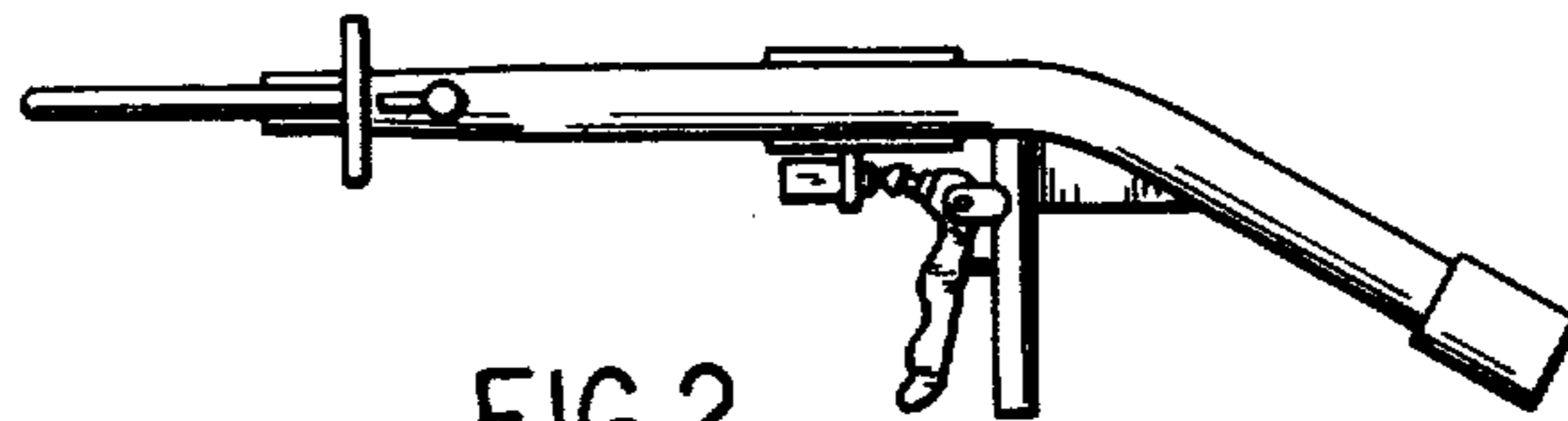


FIG. 2

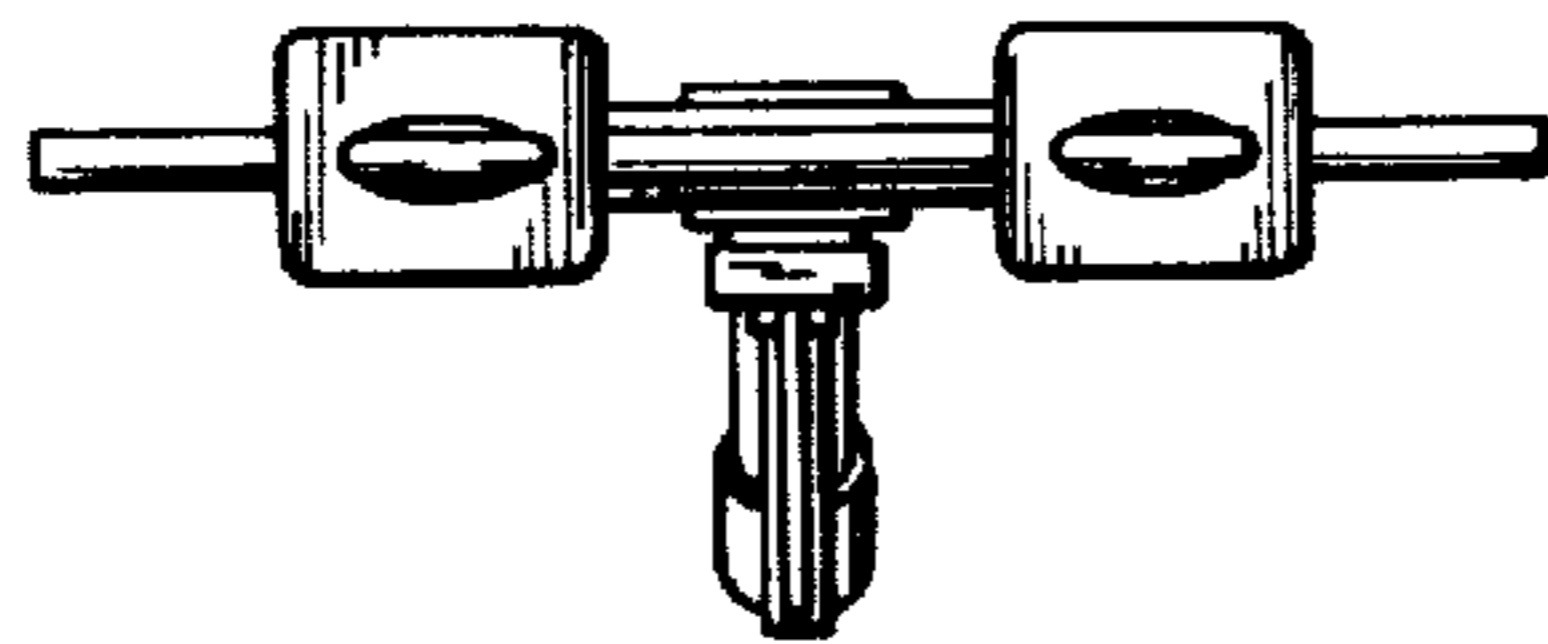


FIG. 3

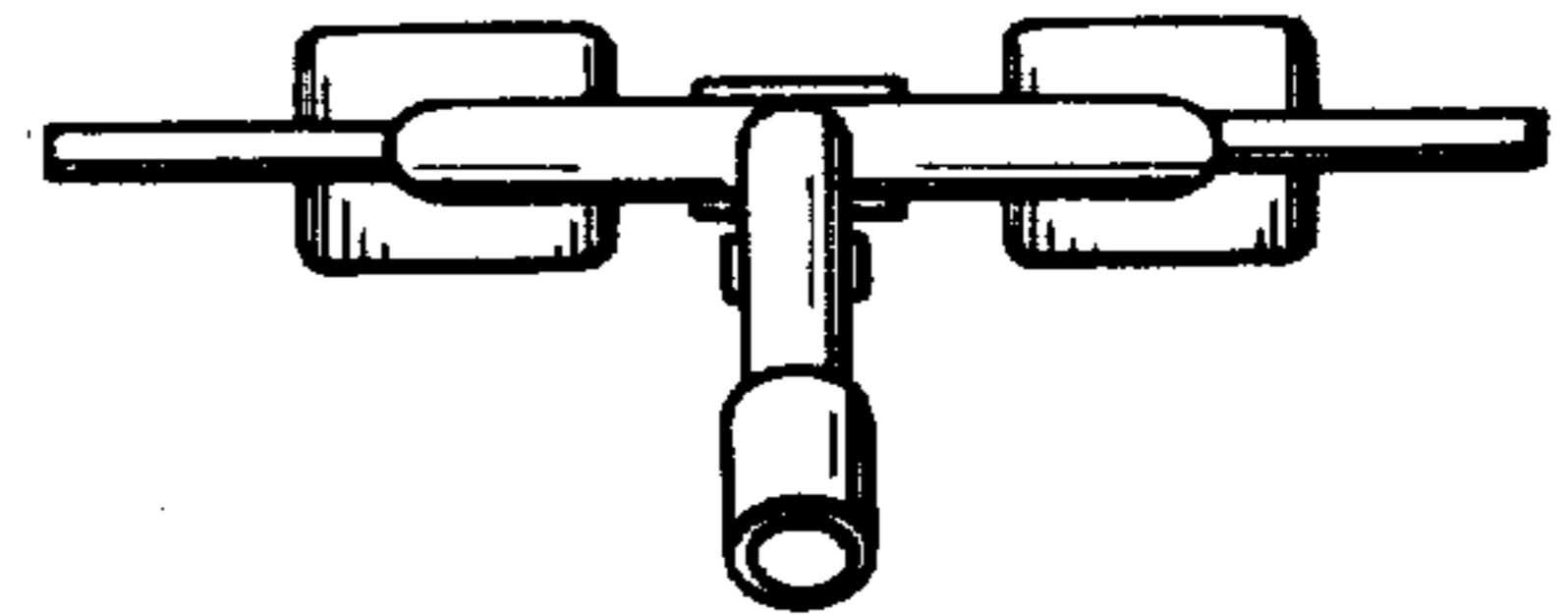


FIG. 4

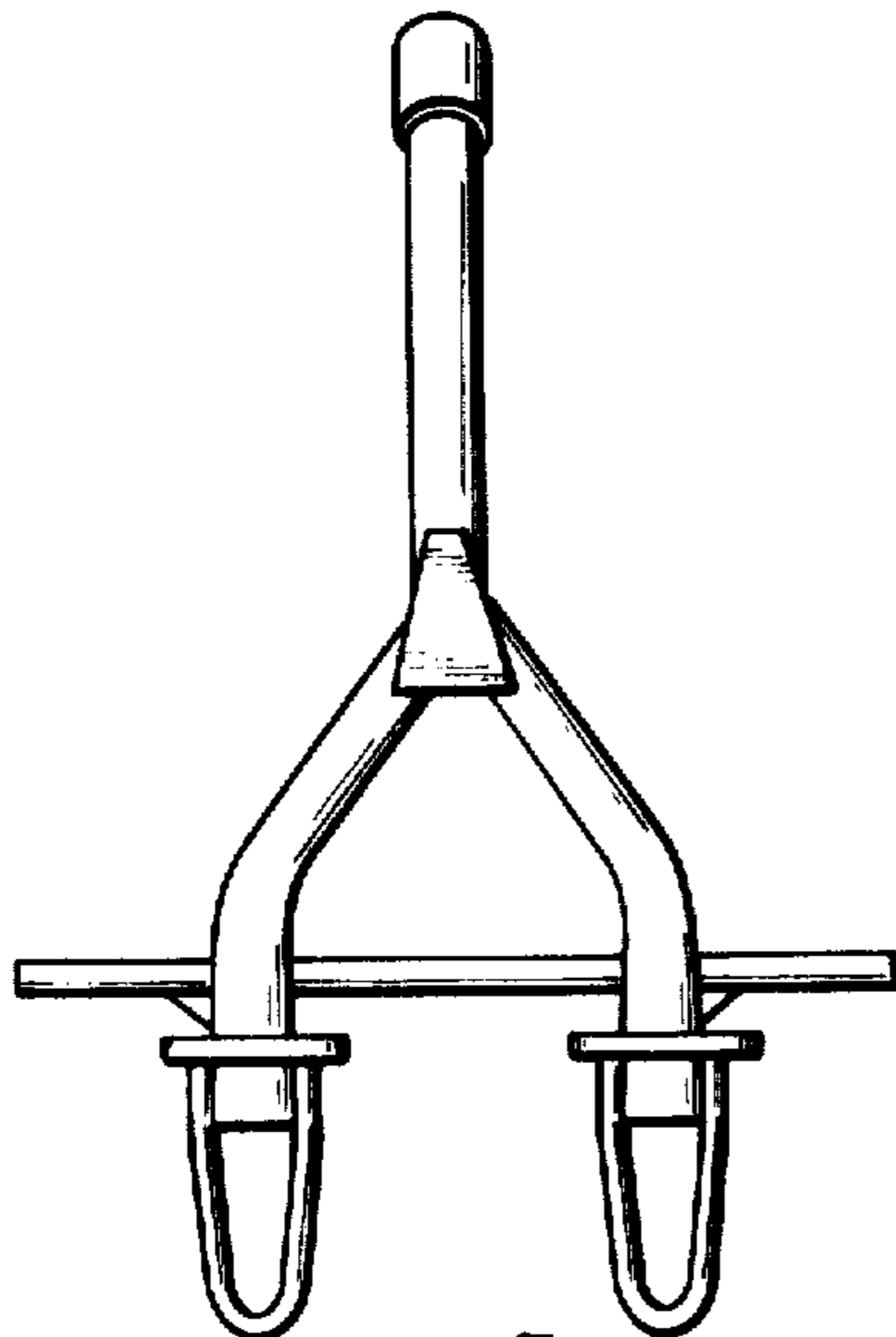


FIG. 5

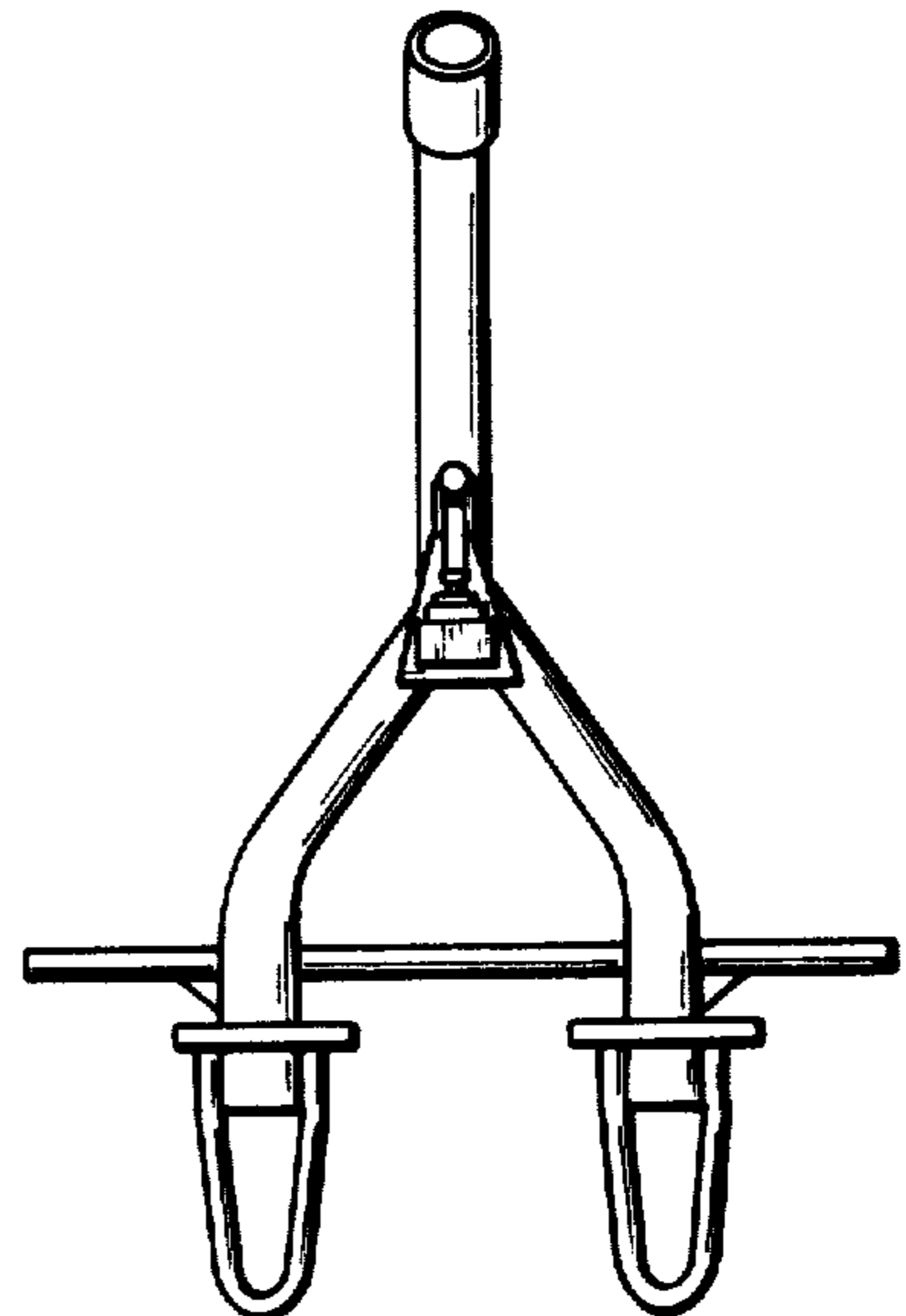


FIG. 6