

[54] SNOWSHOE

[76] Inventor: Barney J. Klecker, 1144 S. Landmark Trail, Hopkins, Minn. 55343

[**] Term: 14 Years

[21] Appl. No.: 334,743

[22] Filed: Dec. 28, 1981

[51] Int. Cl. D21-02

[52] U.S. Cl. D21/228

[58] Field of Search D21/224-231; 36/224, 226, 50

[56] References Cited

U.S. PATENT DOCUMENTS

735,290 8/1903 Phelps 36/122
1,004,900 10/1911 Pease 36/124

FOREIGN PATENT DOCUMENTS

8004754 4/1981 France 36/122
24584 of 1914 United Kingdom 36/124

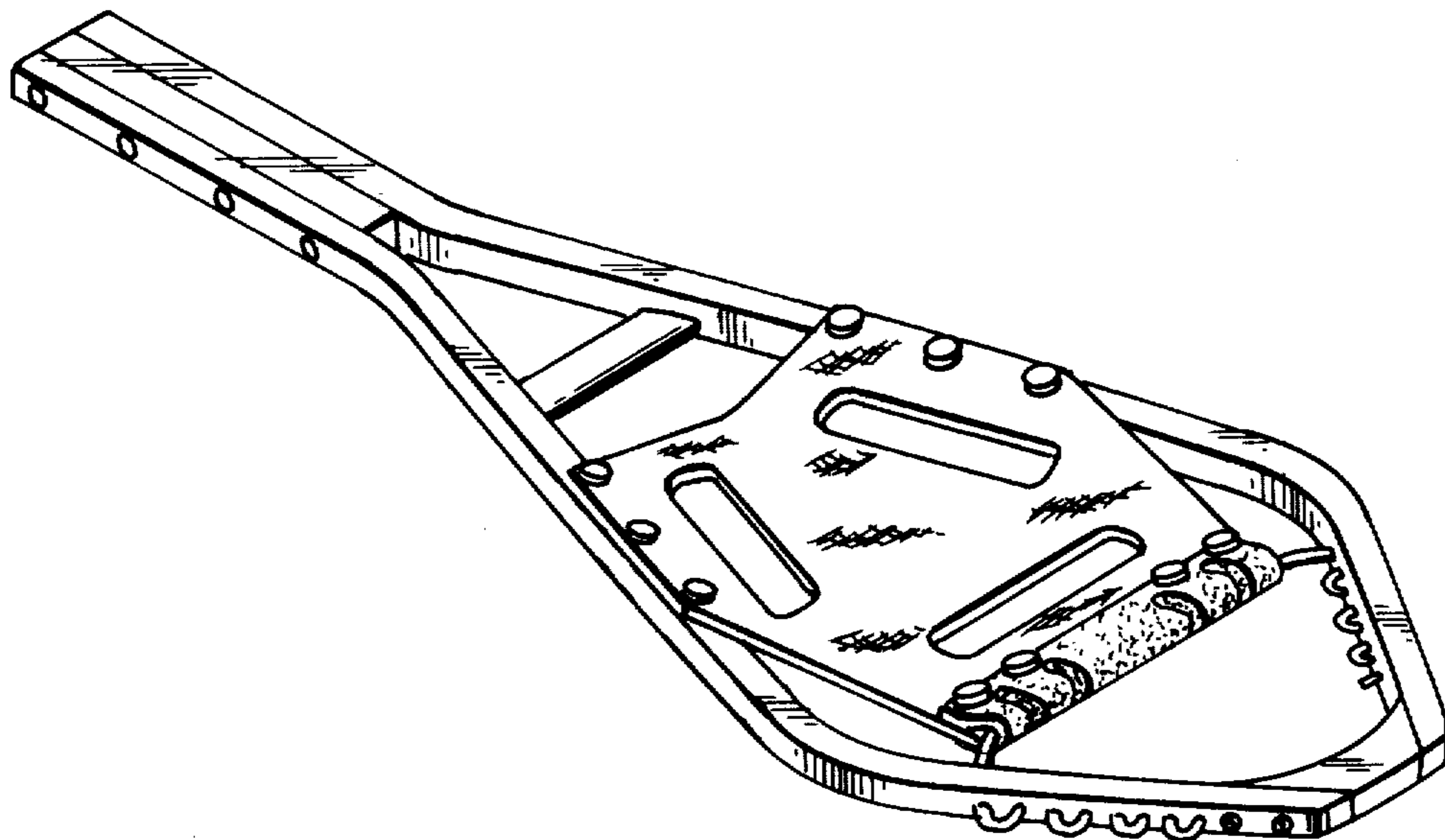
Primary Examiner—Rademaker Charles A.
Attorney, Agent, or Firm—James R. Haller

[57] CLAIM

The ornamental design for a snowshoe, as shown and described.

DESCRIPTION

FIG. 1 is a perspective view of a snowshoe showing my new design;
FIG. 3 is a bottom plan view thereof;
FIG. 4 is a side elevational view, the side opposite being substantially a mirror image;
FIG. 5 is a front elevational view thereof; and,
FIG. 6 is a rear elevational view thereof.



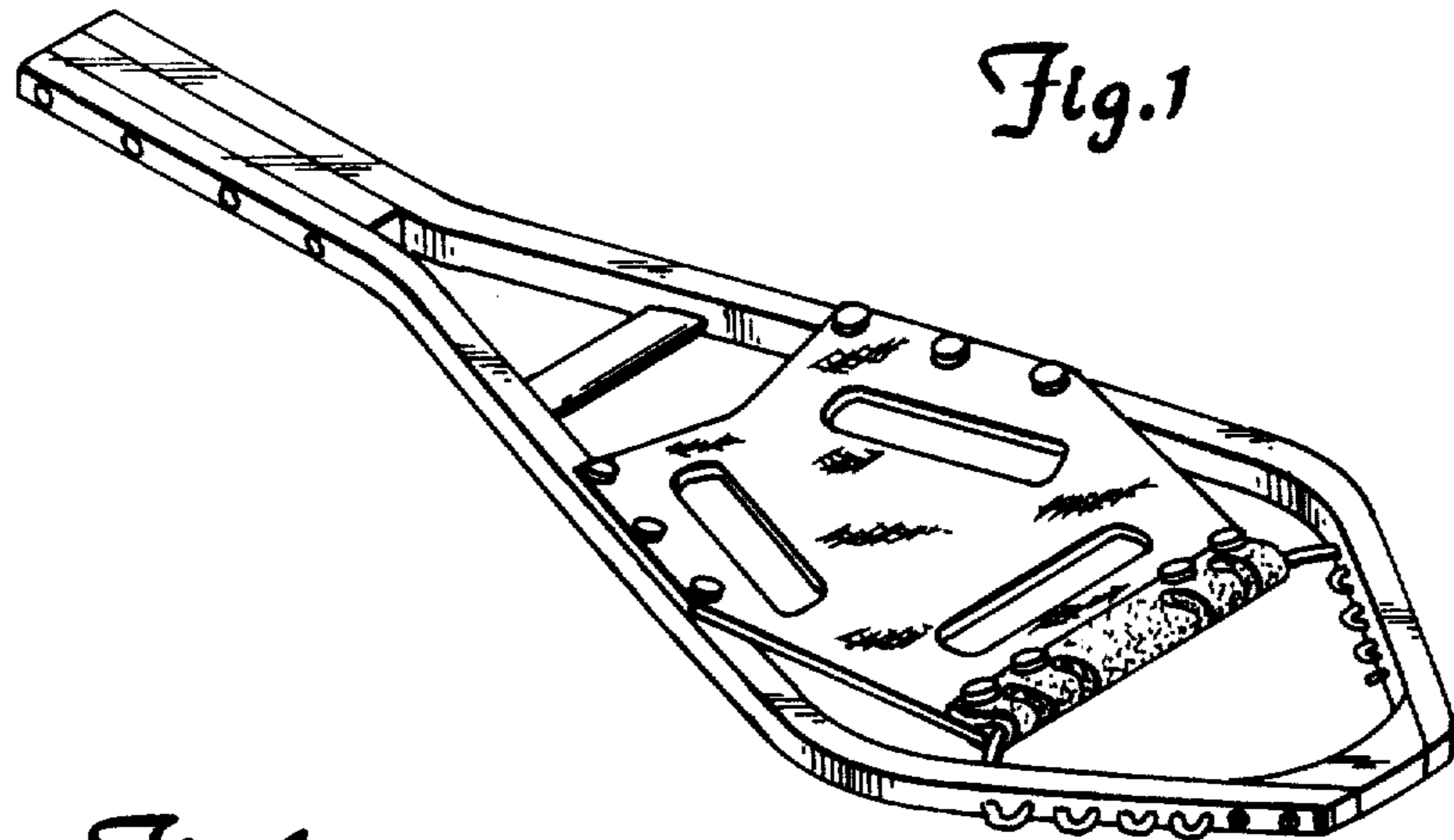


Fig. 1

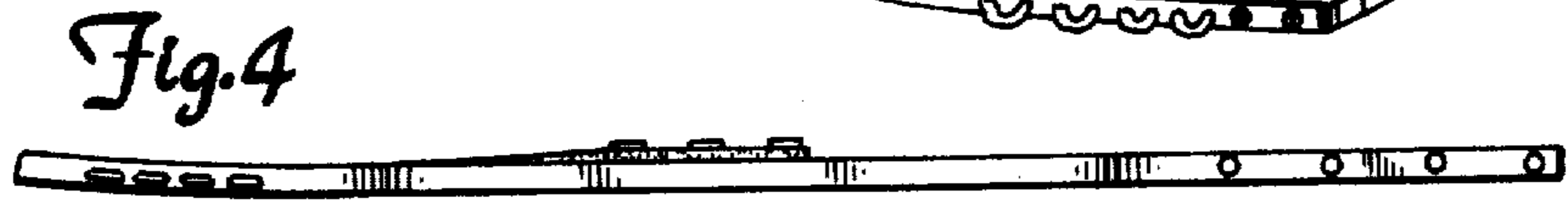


Fig. 4

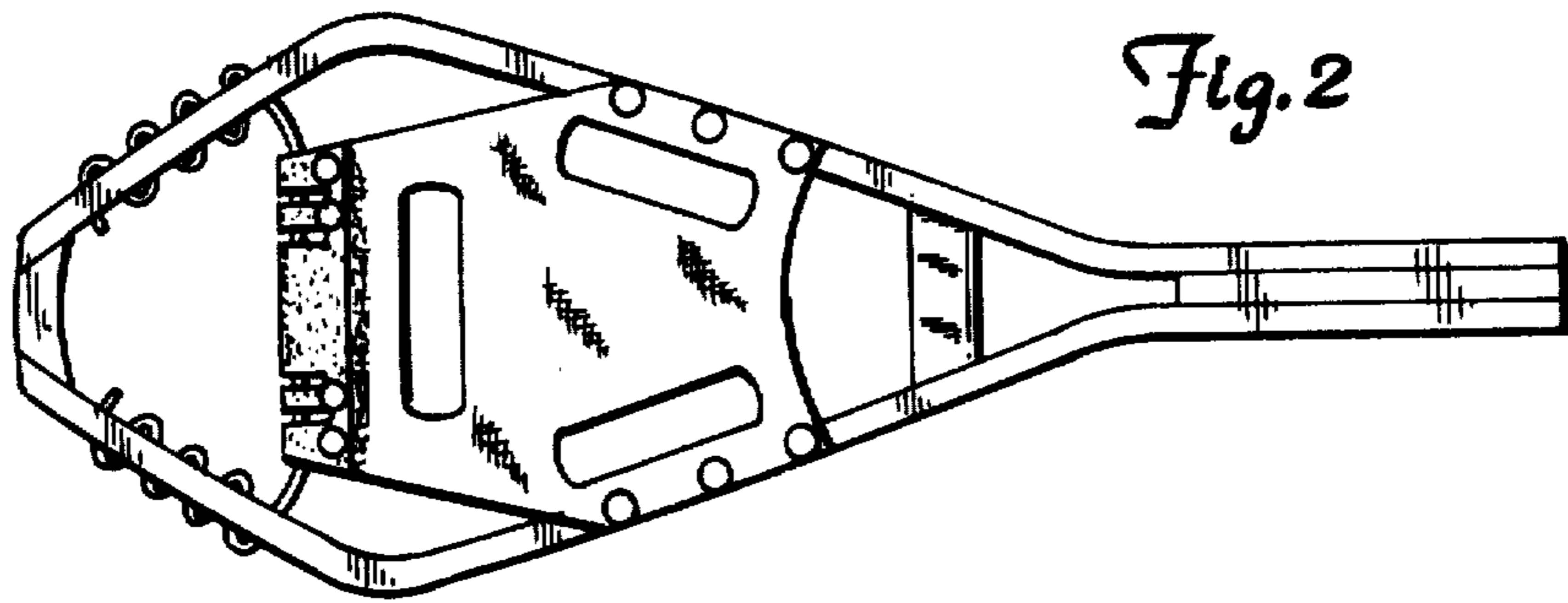


Fig. 2

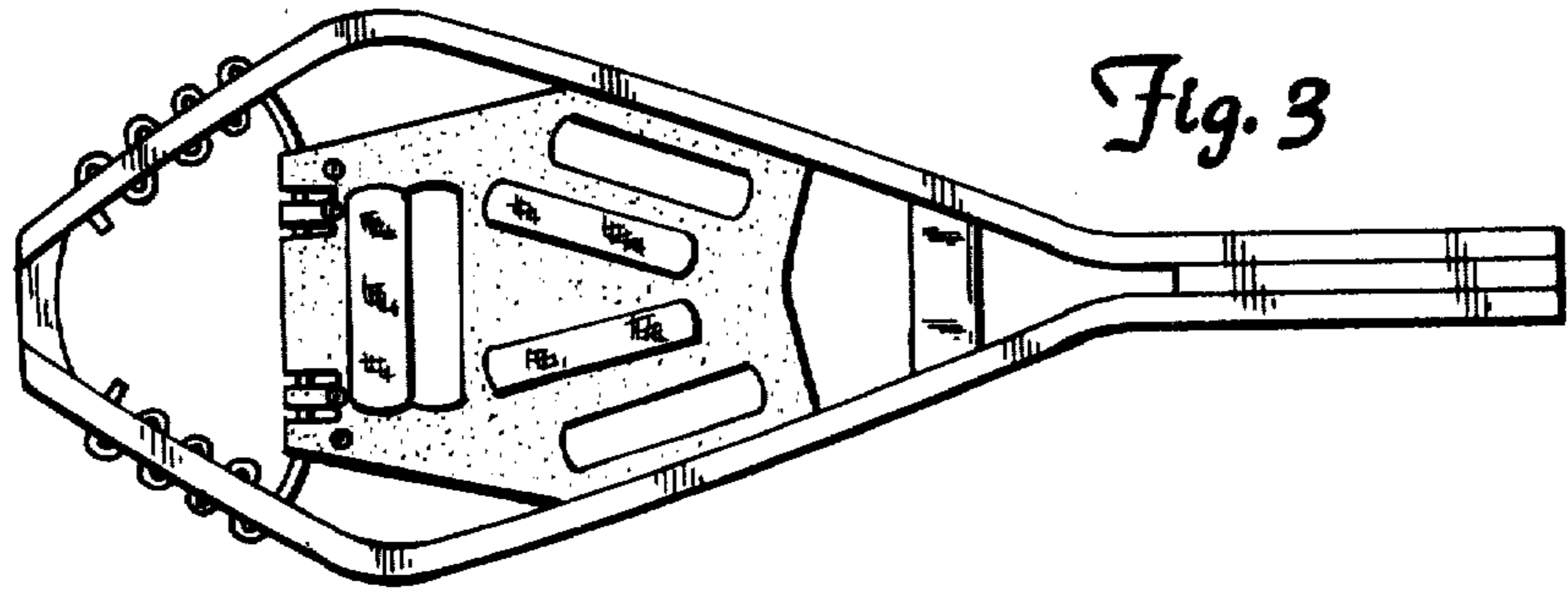


Fig. 3



Fig. 5



Fig. 6