

[54] TOY ROBOT

[75] Inventor: Katsuji Murakami, Tokyo, Japan

[73] Assignee: Kabushiki Kaisha Bandai, Tokyo, Japan

[**] Term: 14 Years

[21] Appl. No.: 272,073

[22] Filed: Jun. 9, 1981

[30] Foreign Application Priority Data

Dec. 29, 1980 [JP] Japan 55/55337

[51] Int. Cl. D21-01

[52] U.S. Cl. D21/166

[58] Field of Search D21/148, 150, 166; 46/161, 115, 116, 163, 153, 154

[56] References Cited

U.S. PATENT DOCUMENTS

D. 171,959 4/1954 Walling D21/150

D. 204,394 4/1966 Wendt D21/148
D. 252,936 9/1979 Tibbitts D21/166
D. 253,711 12/1979 Christiansen et al. D21/166

Primary Examiner—Melvin B. Feifer
Attorney, Agent, or Firm—Armstrong, Nikaido,
Marmelstein & Kubovcik

[57] CLAIM

The ornamental design for toy robot, as shown and described.

DESCRIPTION

FIG. 1 is a front elevation of a toy robot showing my new design;
FIG. 2 is a rear elevation thereof;
FIG. 3 is a right side elevation thereof;
FIG. 4 is a top plan view thereof;
FIG. 5 is a bottom plan view thereof;
FIG. 6 is a front perspective view thereof with an arm in a bent position;
FIG. 7 is a perspective view thereof wherein the head, arms and legs are accommodated within the torso.

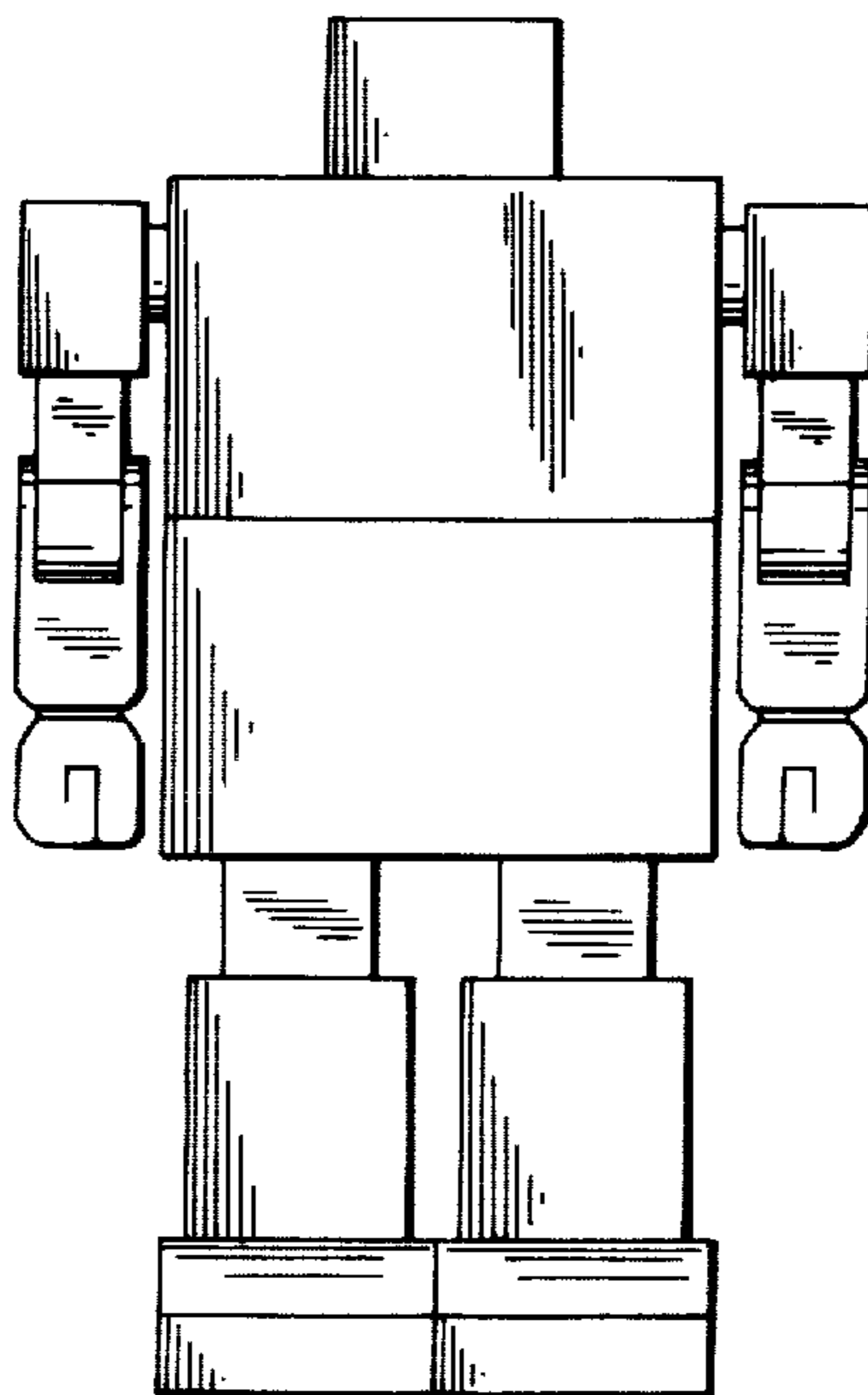


FIG.1

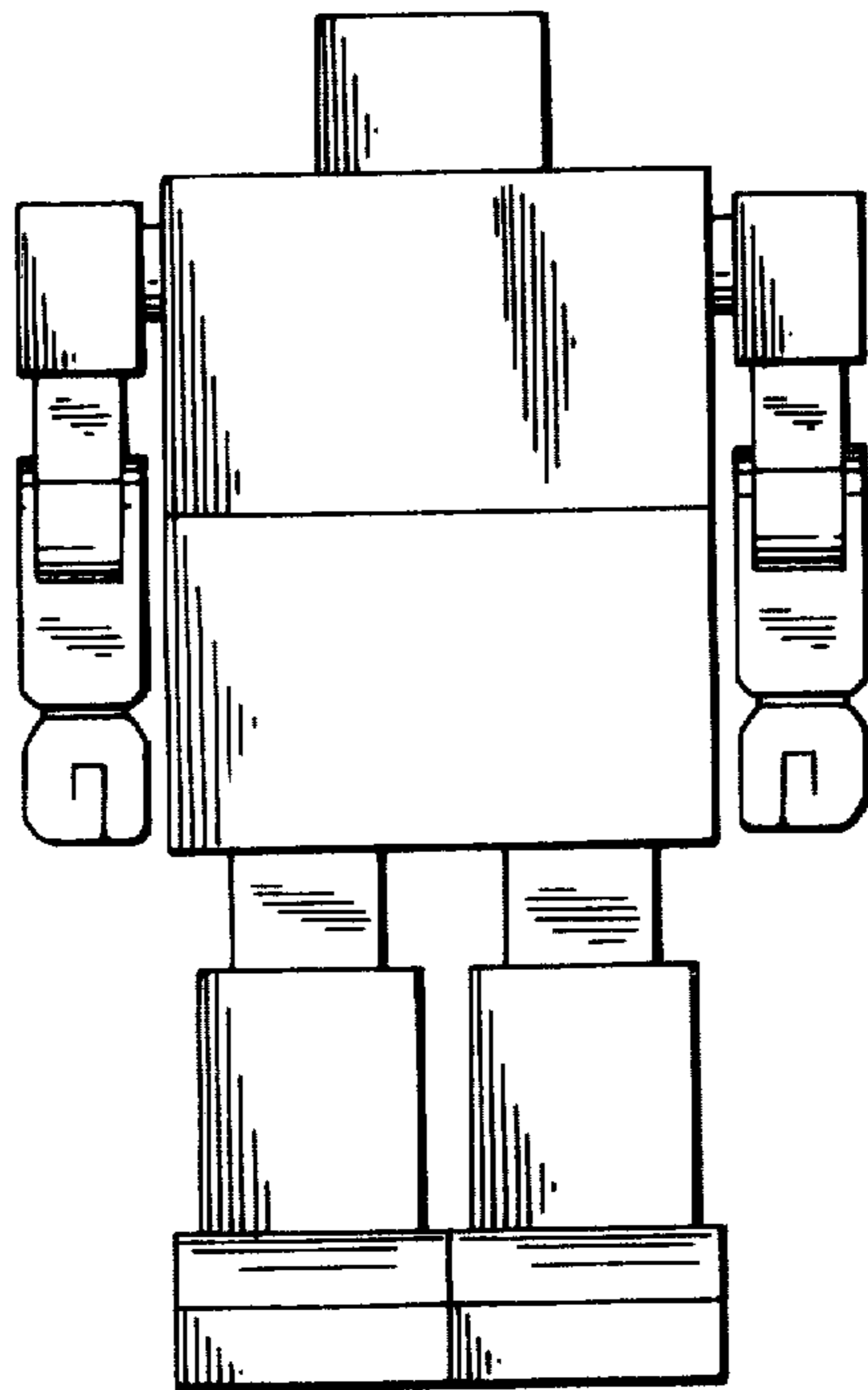


FIG.2

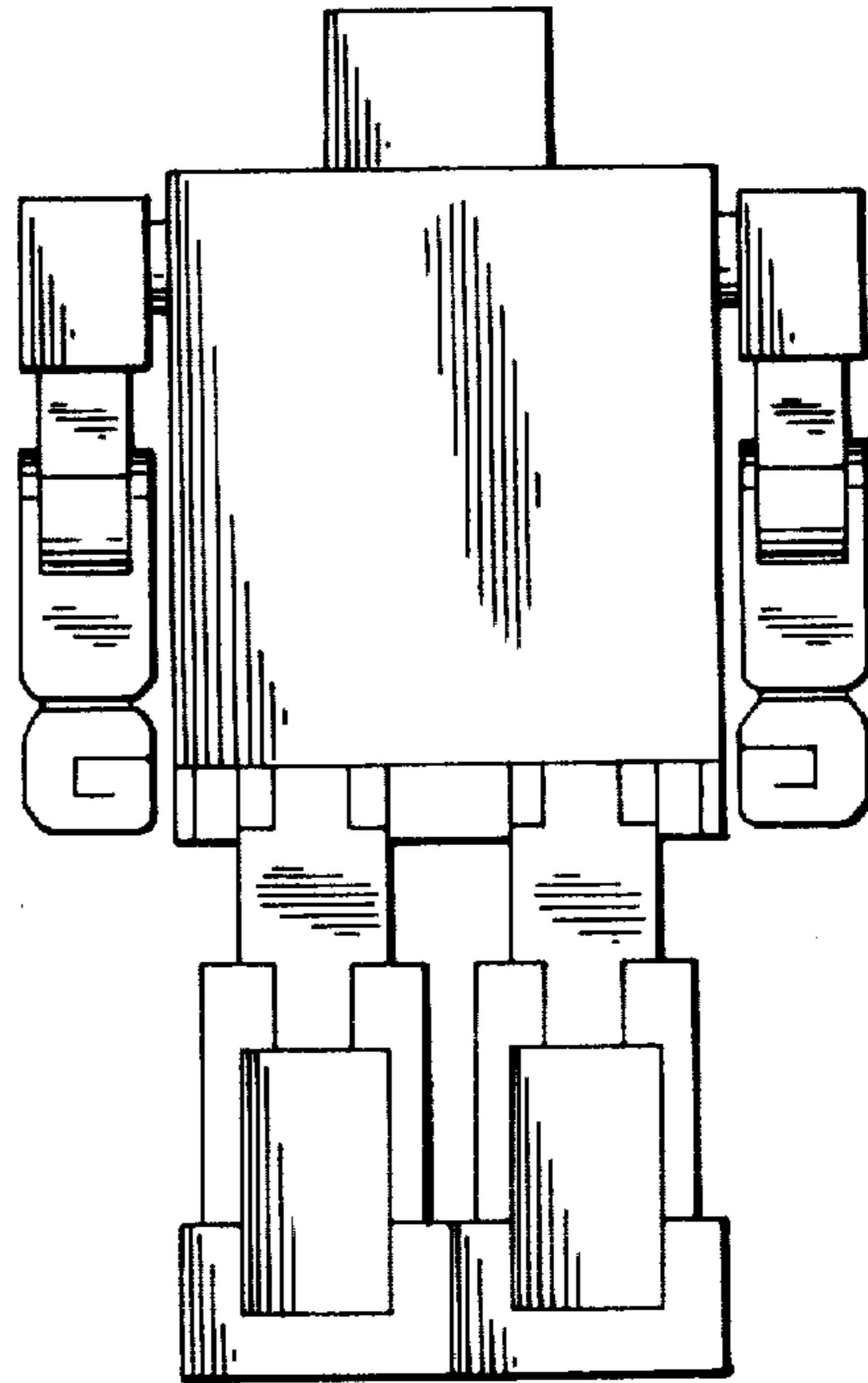


FIG.3

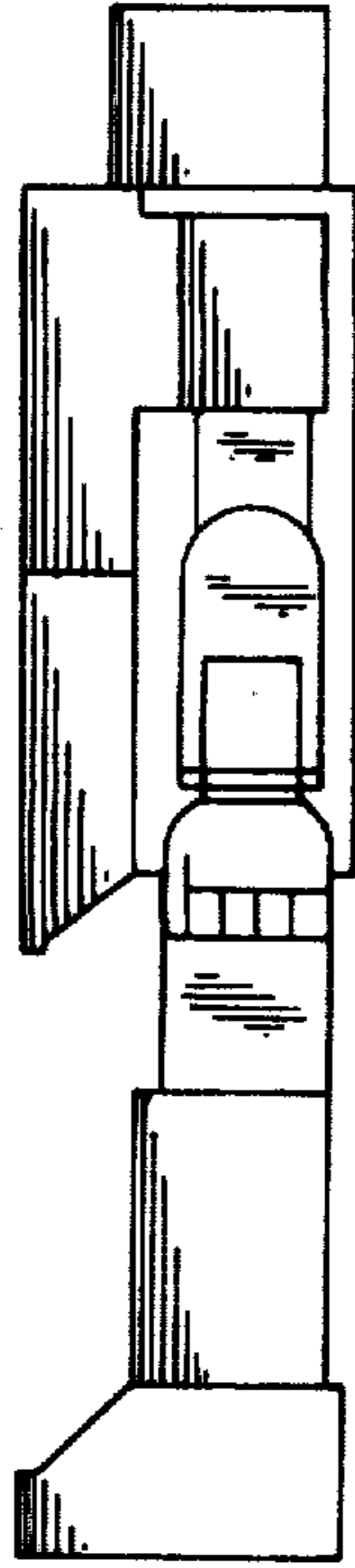


FIG.4



FIG.5

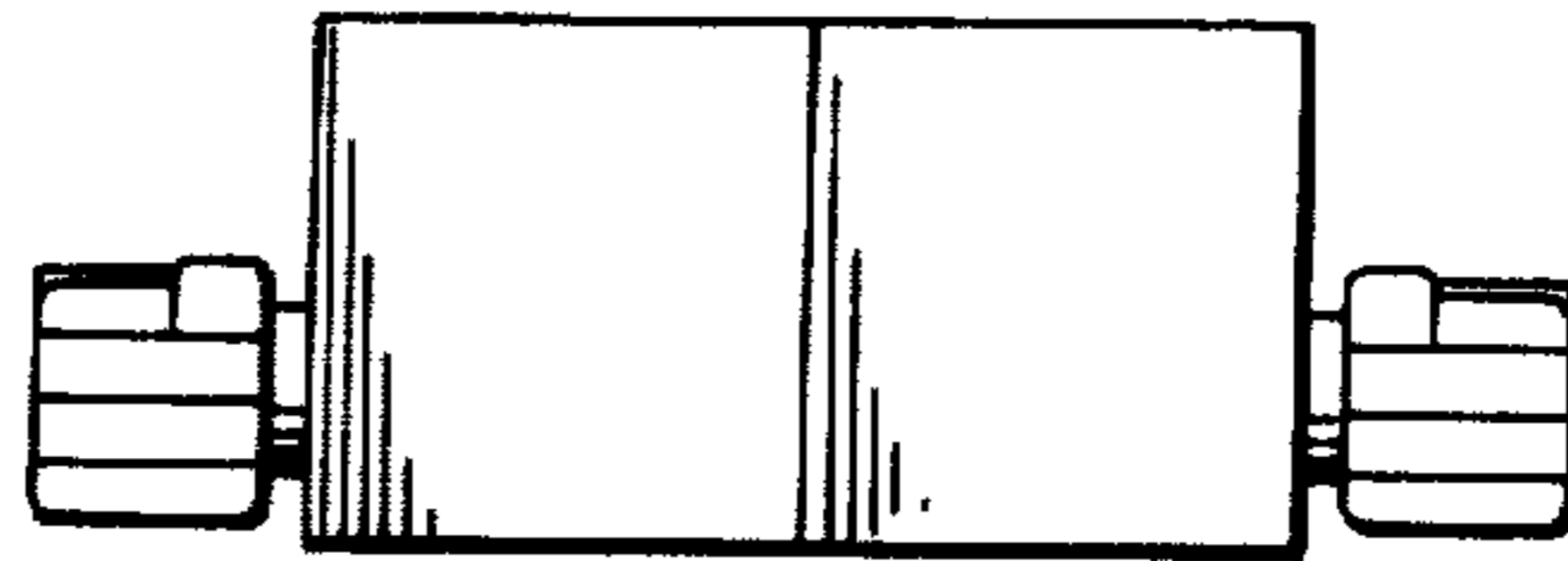


FIG.6

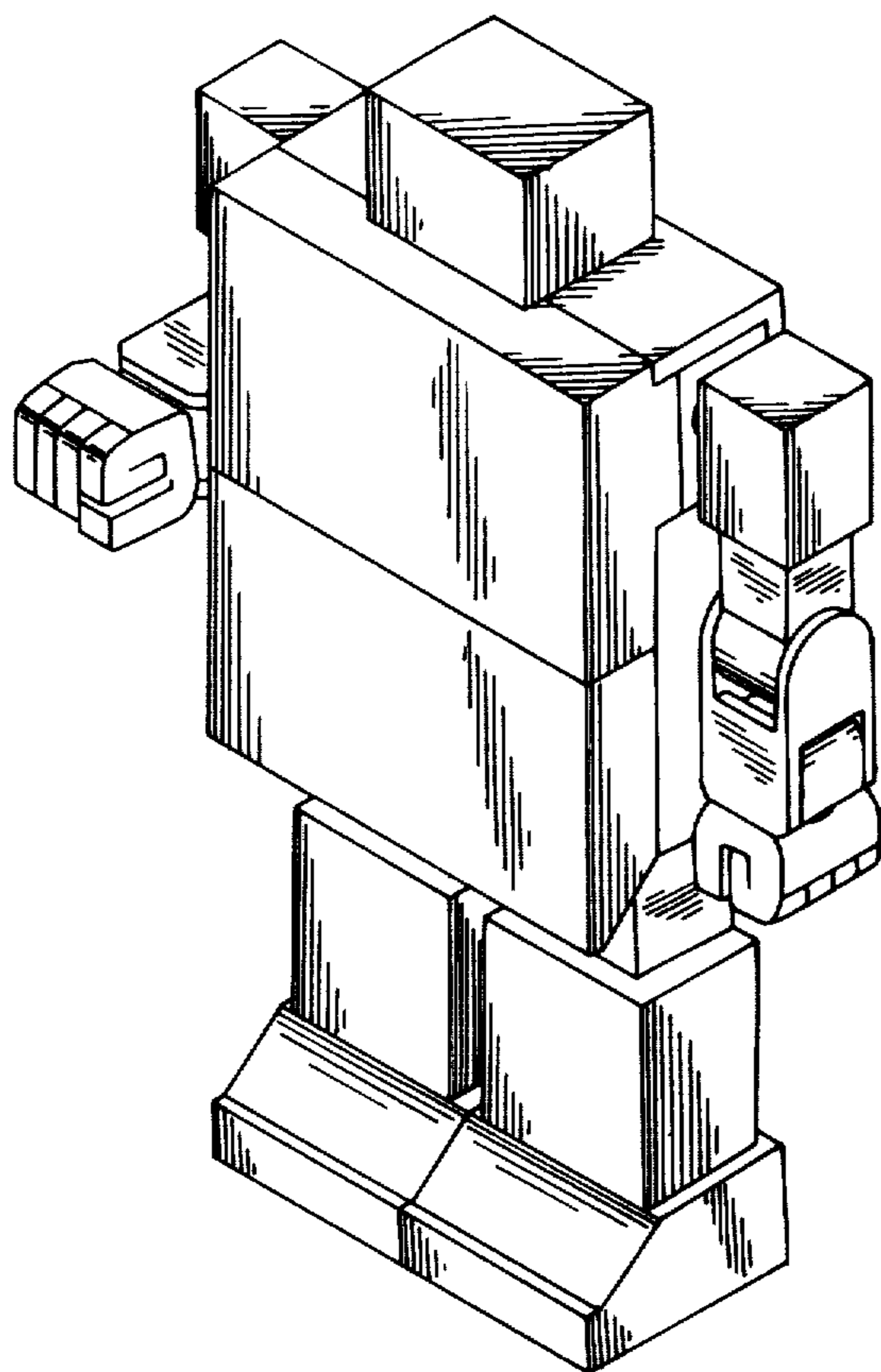


FIG.7

