

[54] TOY TRUCK

[56]

References Cited

U.S. PATENT DOCUMENTS

[75] Inventor: Steven E. Hilko, East Aurora, N.Y.

D. 211,808	7/1963	Genin	D21/139
D. 226,014	1/1973	Ogasawara	D21/139
D. 257,368	10/1980	Breneman	D21/139
3,738,057	6/1973	Ogasawara	46/214

[73] Assignee: The Quaker Oats Company, Chicago, Ill.

Primary Examiner—Charles A. Rademaker
Attorney, Agent, or Firm—Cumpston & Shaw

[**] Term: 14 Years

[57] CLAIM

[21] Appl. No.: 346,183

The ornamental design for a toy truck, substantially as shown and described.

[22] Filed: Feb. 5, 1982

DESCRIPTION

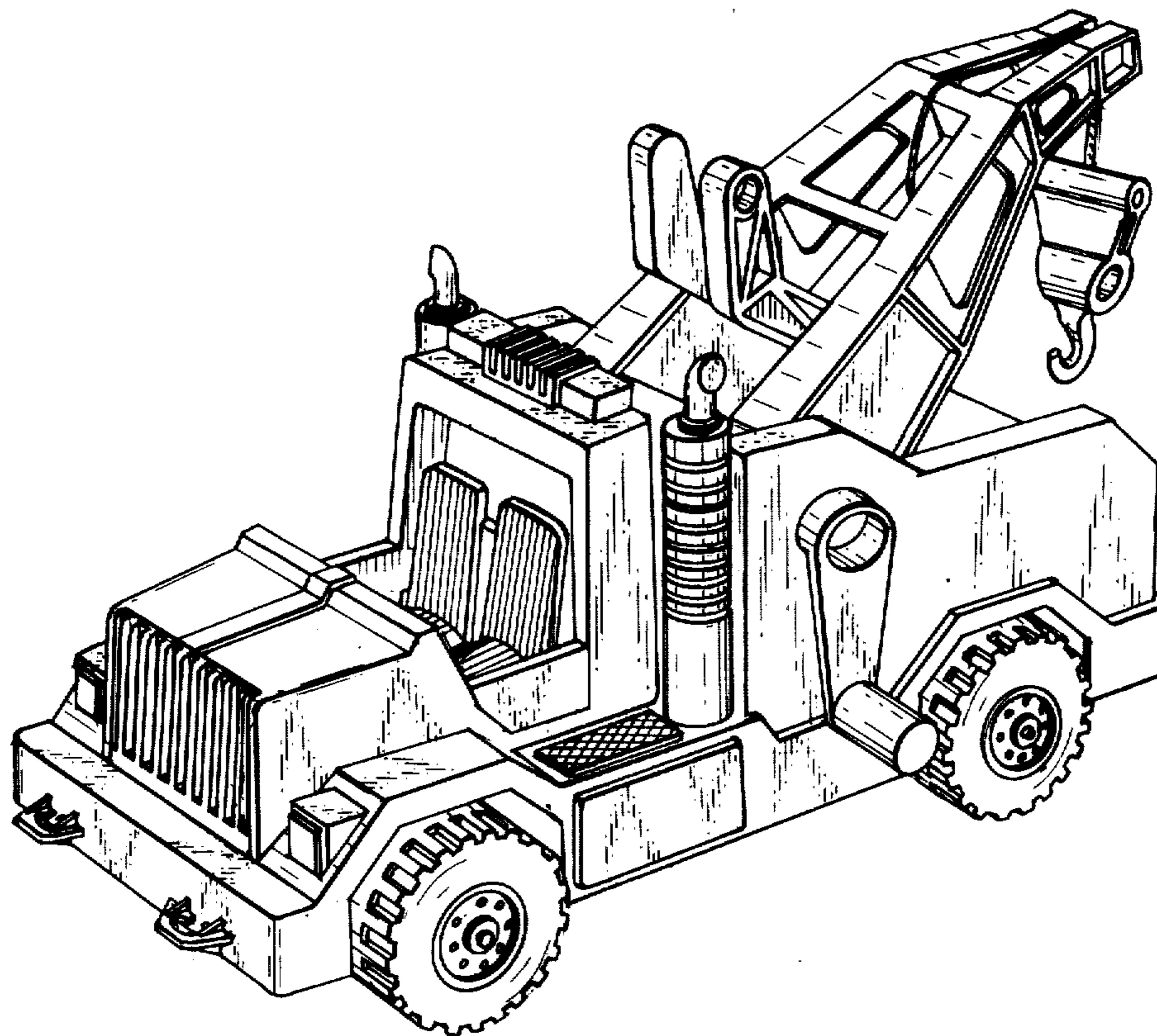
[51] Int. Cl. D21-01

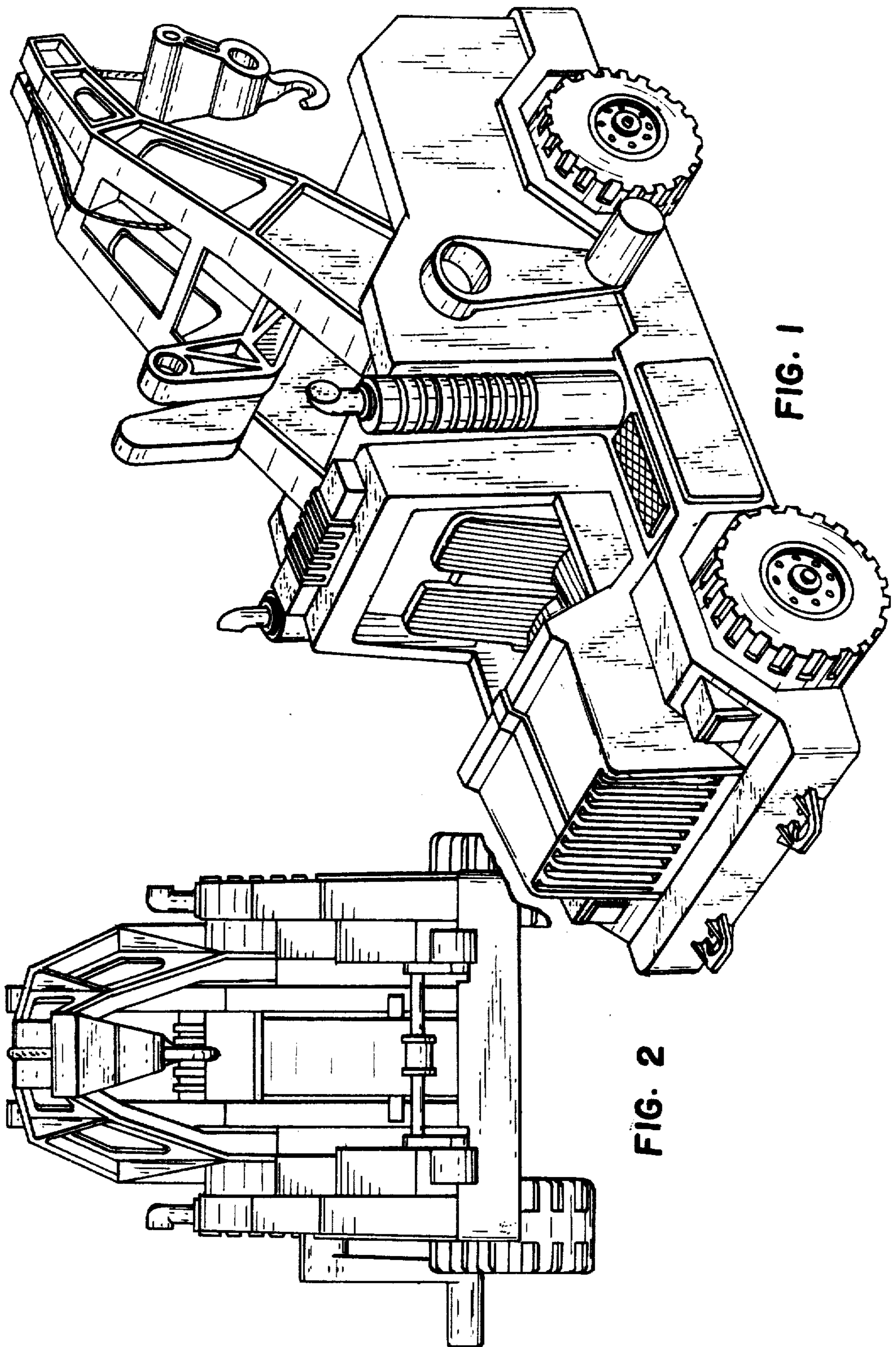
FIG. 1 is a perspective view of a toy truck showing the left side of my new design, the right side being substantially a mirror image, except the crank handle is omitted;

[52] U.S. Cl. D21/139

FIG. 2 is a rear elevational view thereof, with the right wheel member shown partially in fragment; and FIG. 3 is a bottom plan view thereof.

[58] Field of Search D21/139, 140, 134, 124, D21/128, 133, 134; 46/98, 215, 201, 214, 222





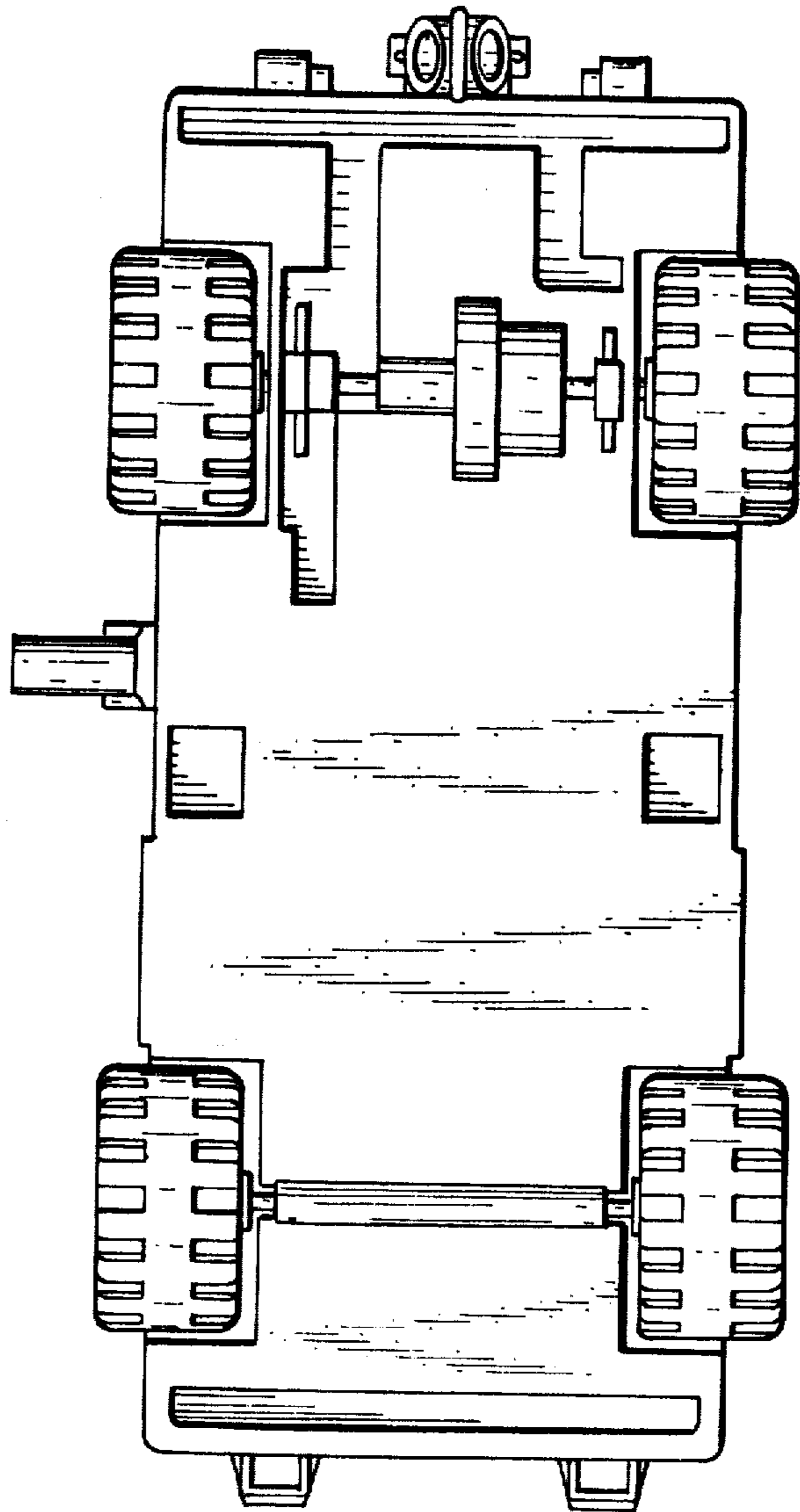


FIG. 3