

[54] TOY TRUCK

[75] Inventor: Robert C. Fisher, East Aurora, N.Y.

[73] Assignee: The Quaker Oats Company, Chicago, Ill.

[**] Term: 14 Years

[21] Appl. No.: 345,627

[22] Filed: Feb. 4, 1982

[51] Int. Cl. D21-01

[52] U.S. Cl. D21/133

[58] Field of Search D21/133, 139, 140, 134; 46/98, 215, 201

[56] References Cited

U.S. PATENT DOCUMENTS

- D. 219,879 2/1971 Ostrander D21/134
- D. 219,931 2/1971 Fogarty et al. D21/140
- D. 252,227 6/1979 Asano D21/134

Primary Examiner—Charles A. Rademaker
Attorney, Agent, or Firm—Cumpston & Shaw

[57] CLAIM

The ornamental design for a toy truck, substantially as shown and described.

DESCRIPTION

FIG. 1 is a left side elevational view of a toy truck showing my new design;

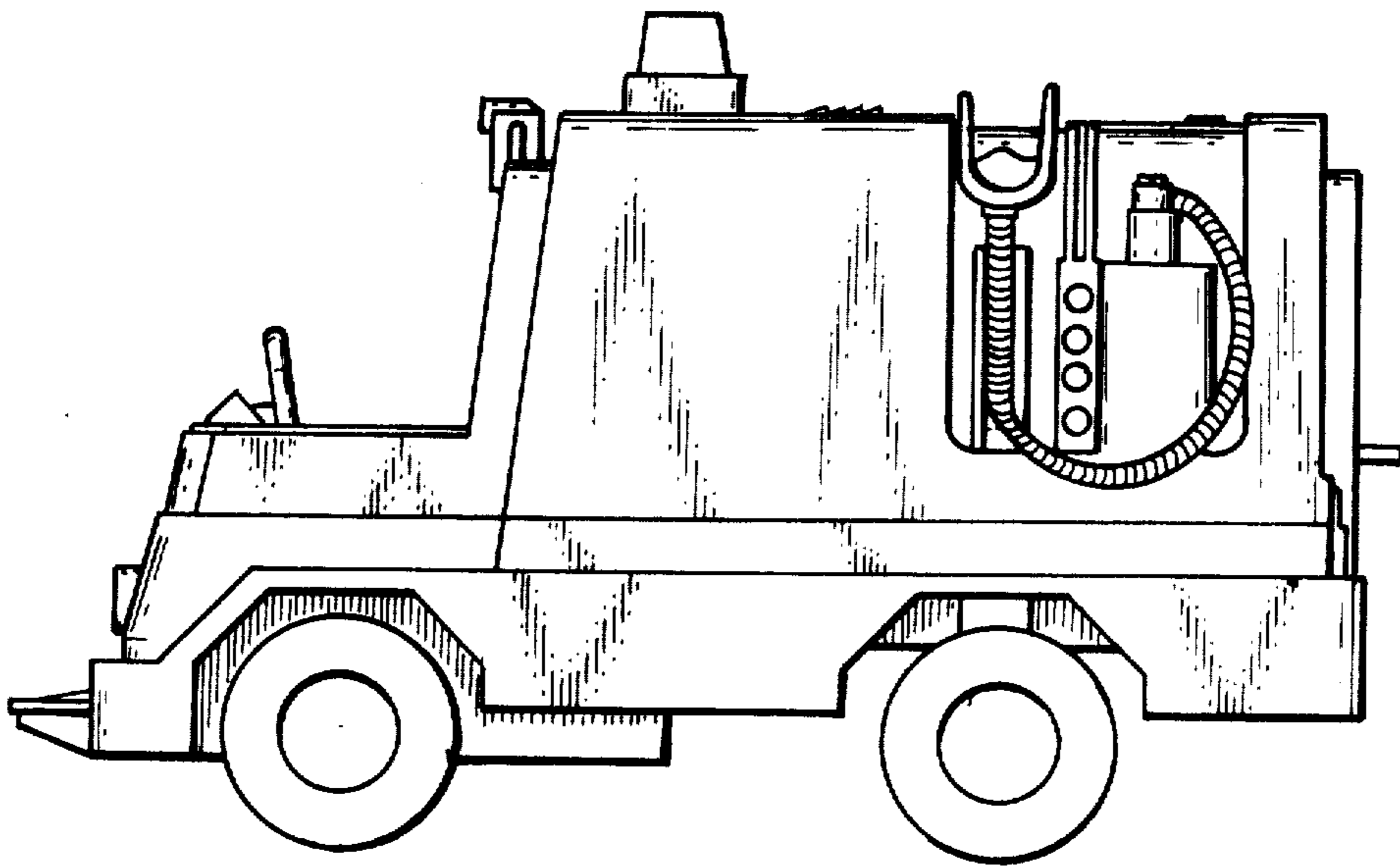
FIG. 2 is a top plan view thereof;

FIG. 3 is a front elevational view thereof;

FIG. 4 is a right side elevational view thereof;

FIG. 5 is a bottom plan view thereof; and

FIG. 6 is a rear elevational view thereof.



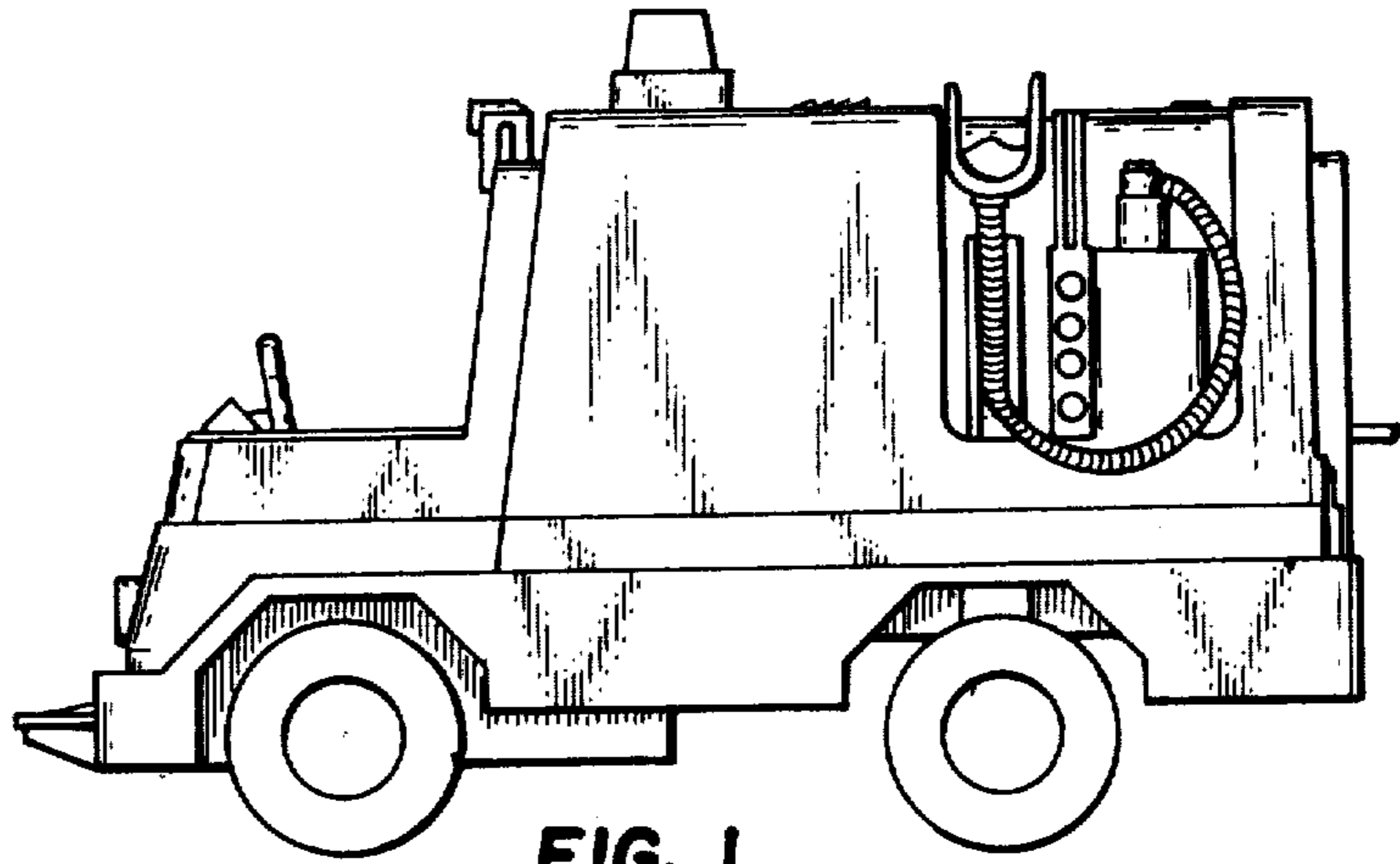


FIG. 1

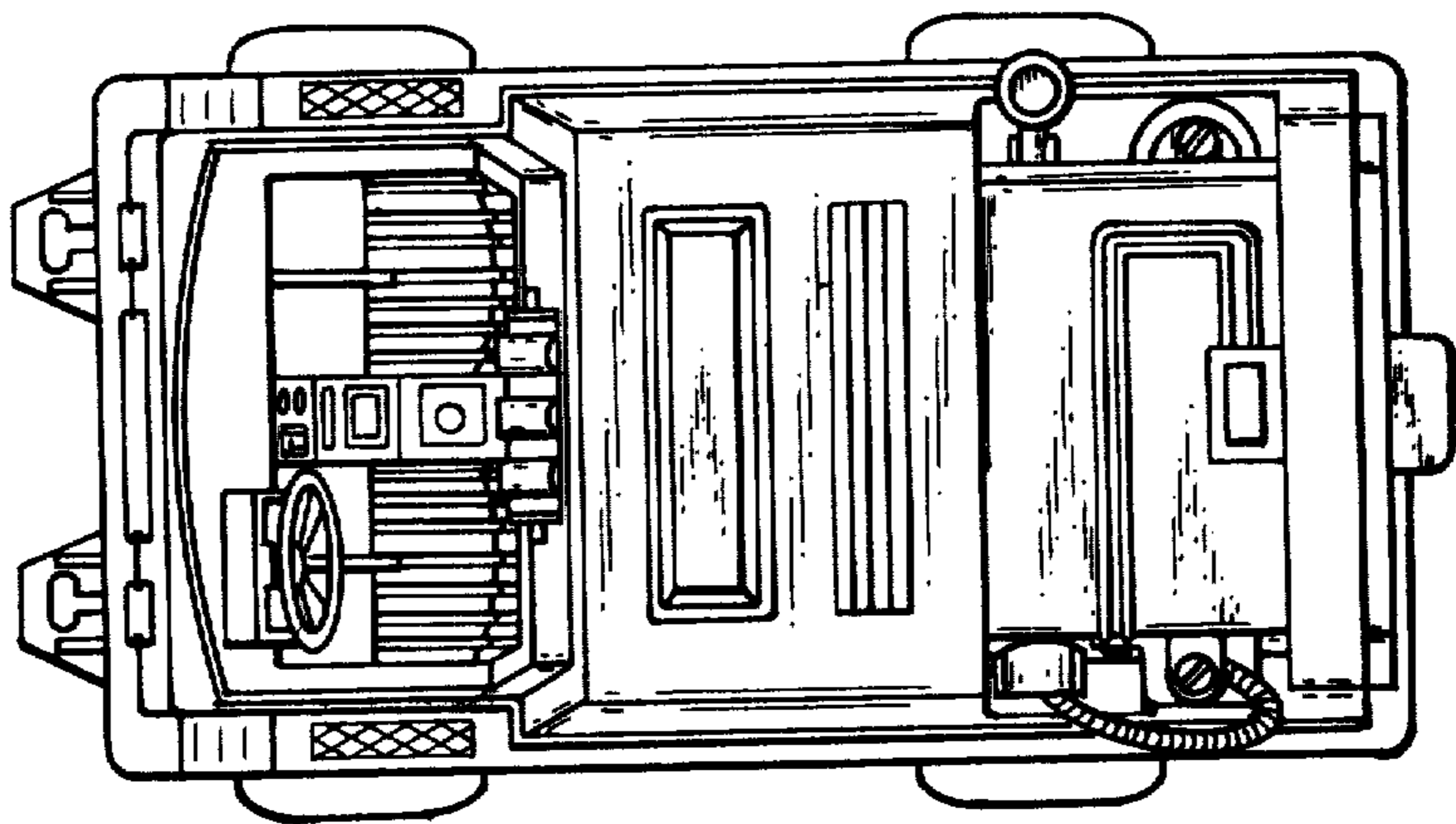


FIG. 2

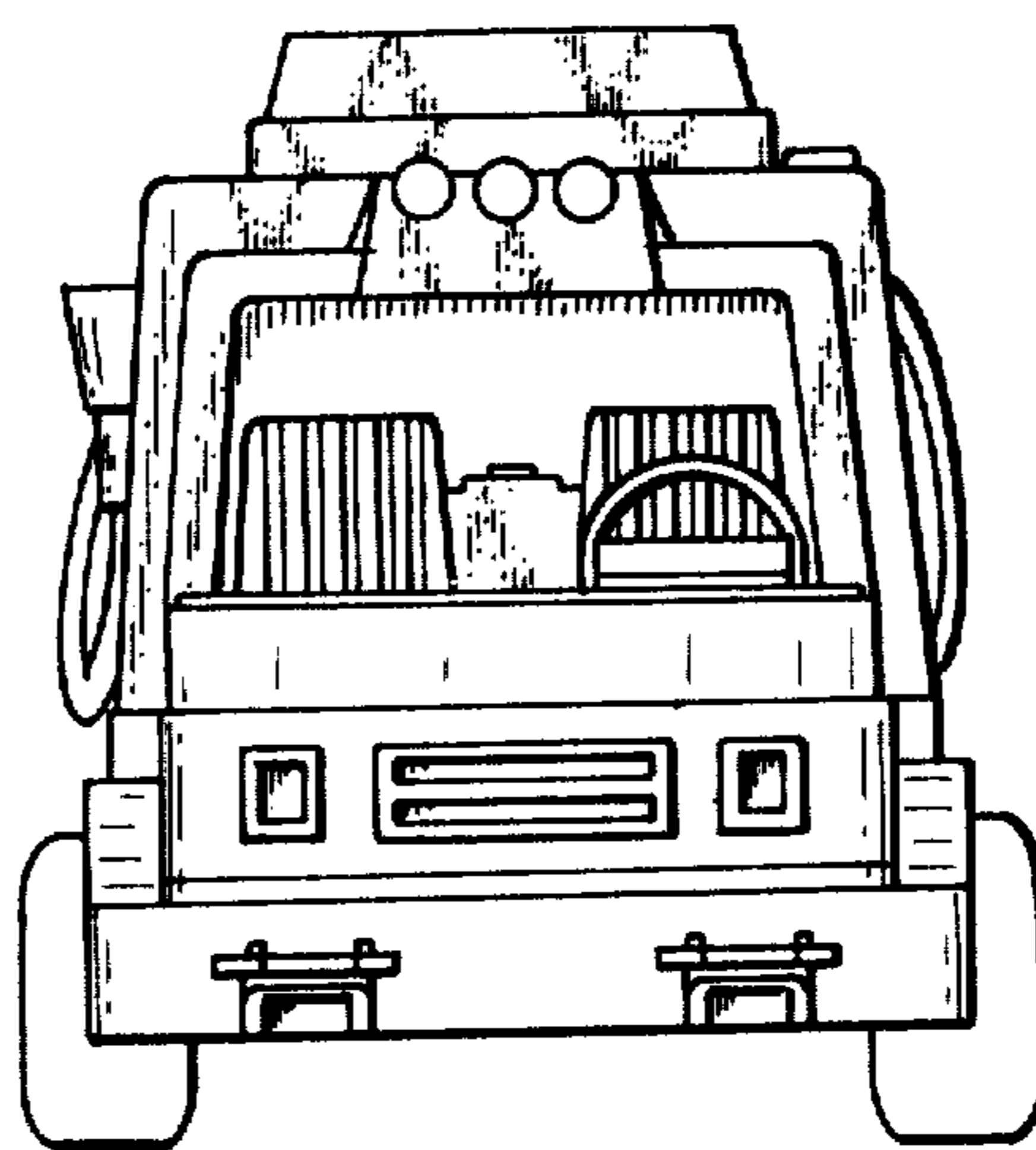


FIG. 3

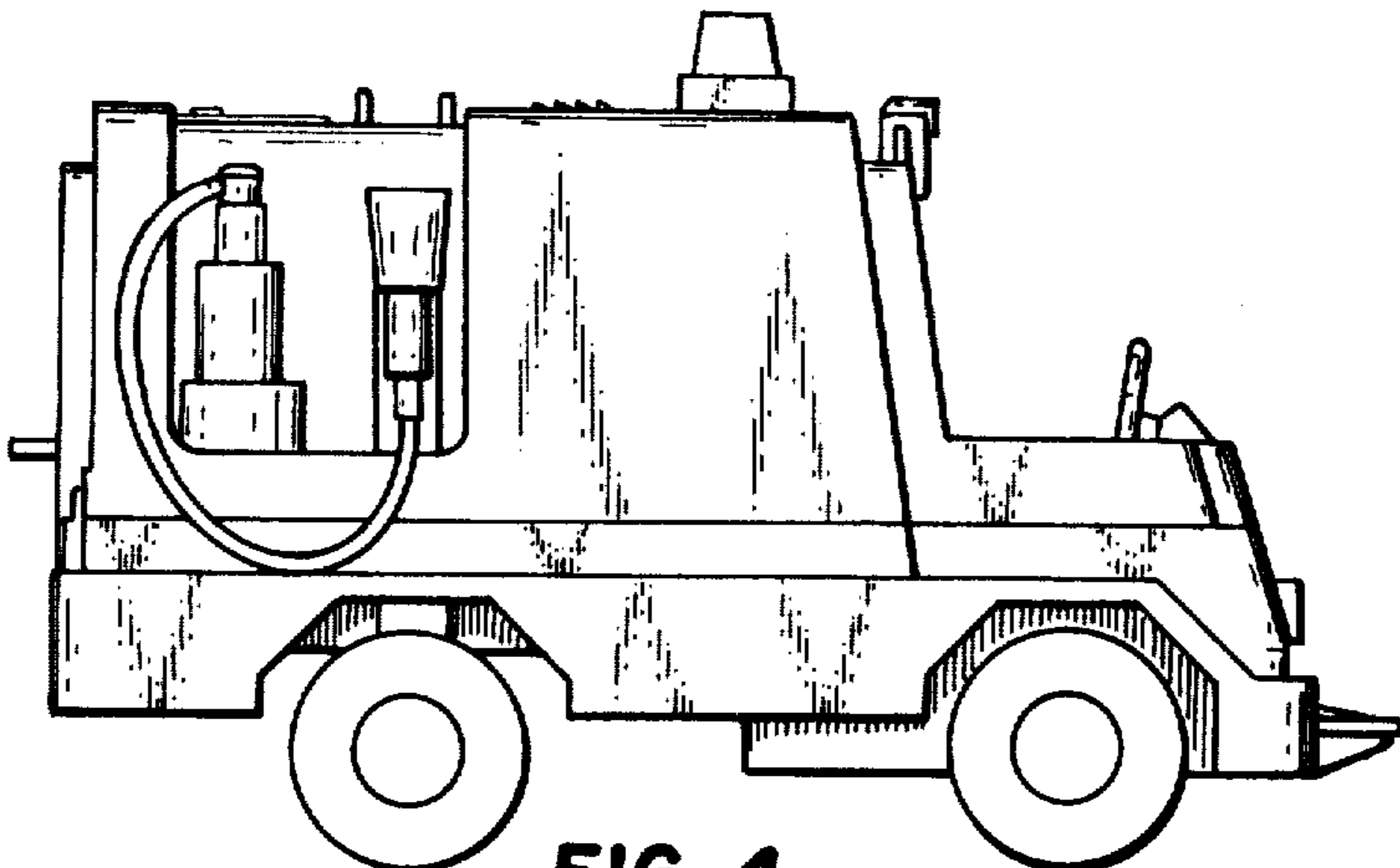


FIG. 4

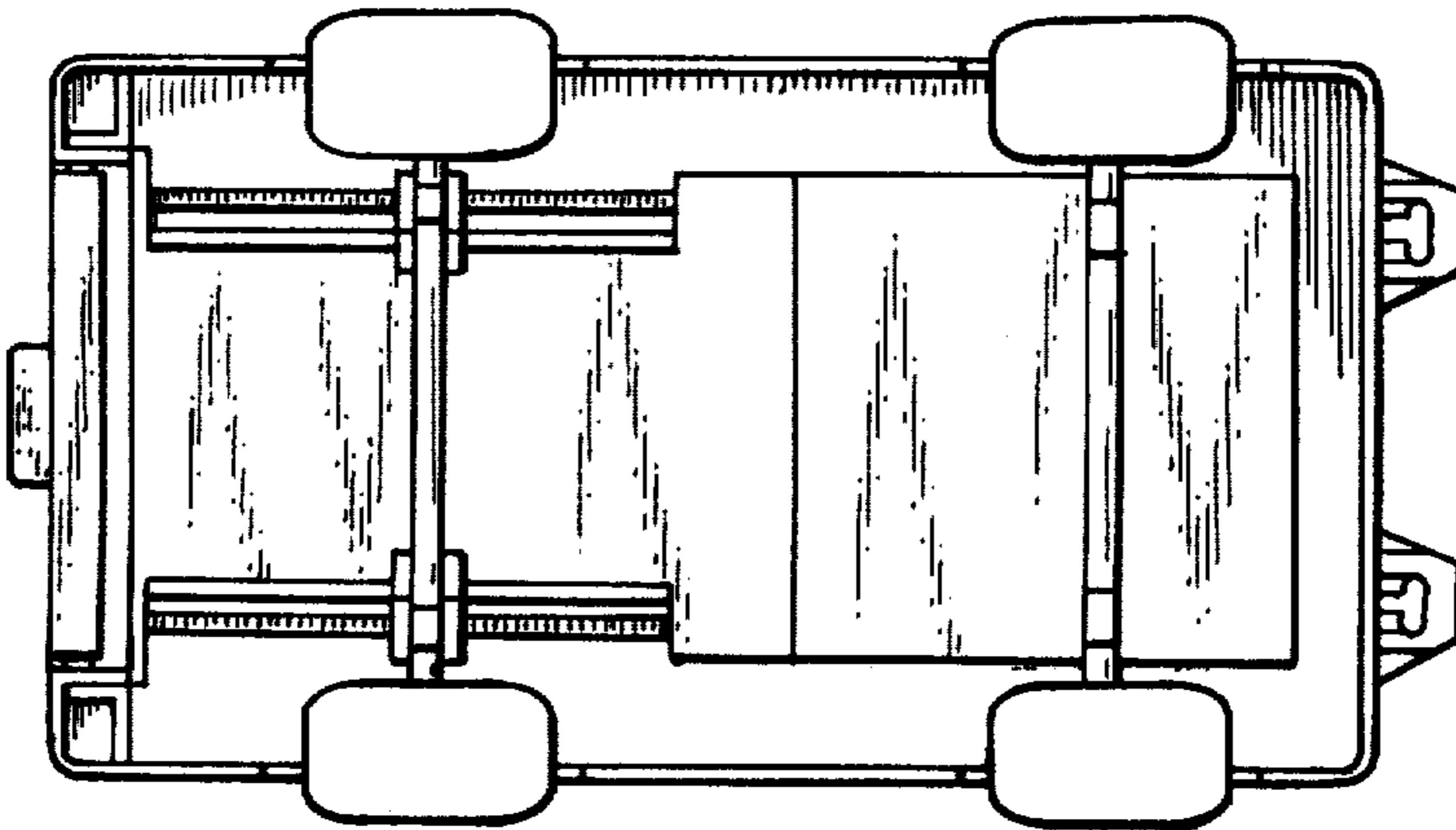


FIG. 5

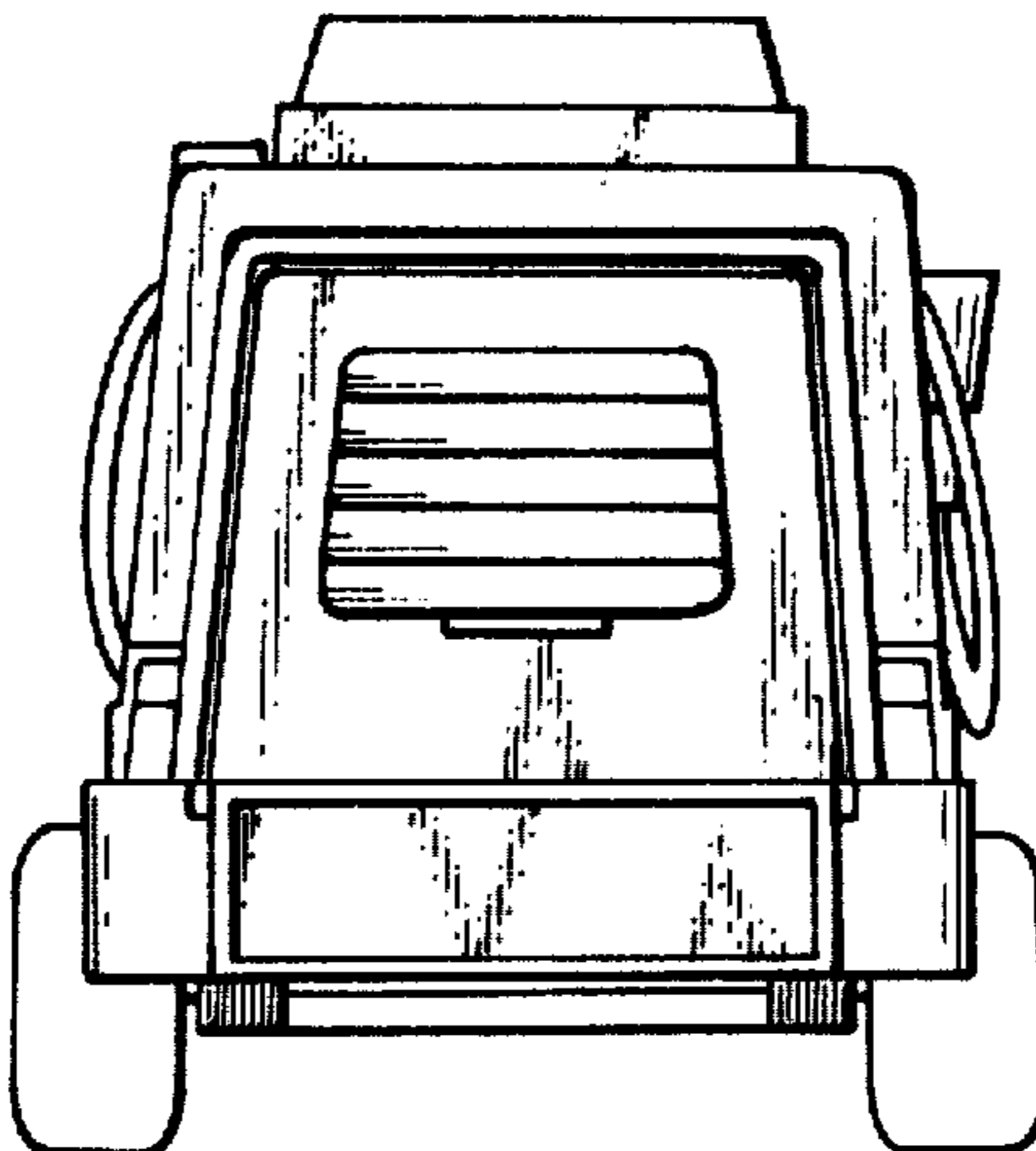


FIG. 6