

[54] PUSH TOY

[75] Inventor: Martin J. Dropik, Cheektowaga, N.Y.

[73] Assignee: The Quaker Oats Company, Chicago, Ill.

[\*\*] Term: 14 Years

[21] Appl. No.: 320,705

[22] Filed: Nov. 12, 1981

[51] Int. Cl. .... D21-01

[52] U.S. Cl. .... D21/92

[58] Field of Search ..... D21/59, 63, 64, 92; 46/47, 68, 59, 174, 191, 193, 111

[56] References Cited

U.S. PATENT DOCUMENTS

- D. 182,791 5/1958 Crawford ..... D21/92
- D. 262,551 1/1982 Argandona ..... D21/59

OTHER PUBLICATIONS

Toytime, 1960, p. 18, Item C, "Corn Popper".  
Toytime, 1960, p. 18, Item K, "Bouncy Racer".

Primary Examiner—Charles A. Rademaker  
Attorney, Agent, or Firm—Cumpston & Shaw

[57] CLAIM

The ornamental design for a push toy, substantially as shown and described.

DESCRIPTION

FIG. 1 is a left-side elevational view of a push toy showing my new design, the right side being substantially a mirror image;

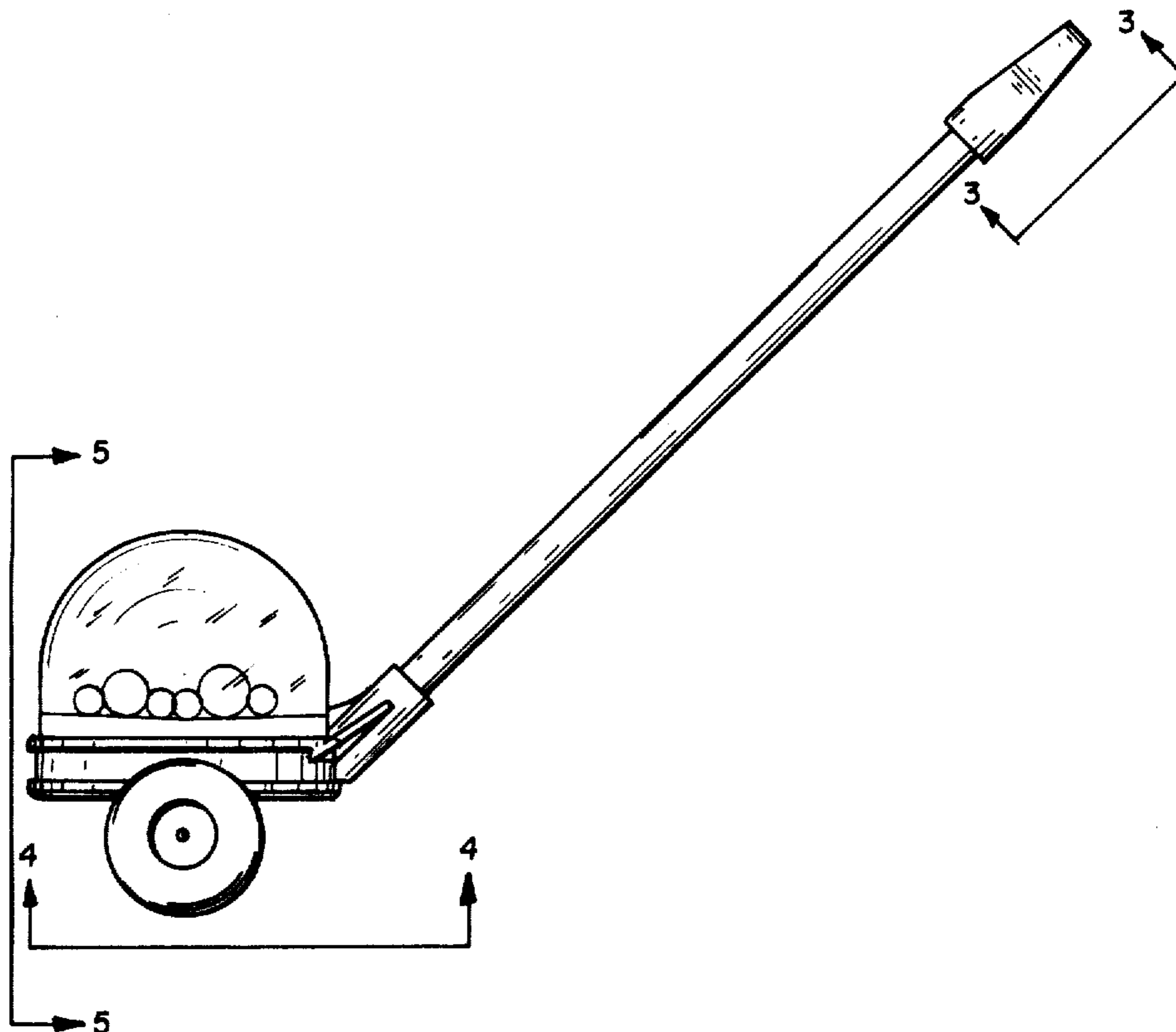
FIG. 2 is a top plan view thereof;

FIG. 3 is a fragmentary sectional view taken along the line 3-3 of FIG. 1;

FIG. 4 is a fragmentary bottom plan view taken along the line 4-4 of FIG. 1; and

FIG. 5 is a fragmentary front elevational view thereof taken along the line 5-5 of FIG. 1.

A portion of FIGS. 1, 2 and 5 is diagonally lined and cross-hatched to indicate transparent material.



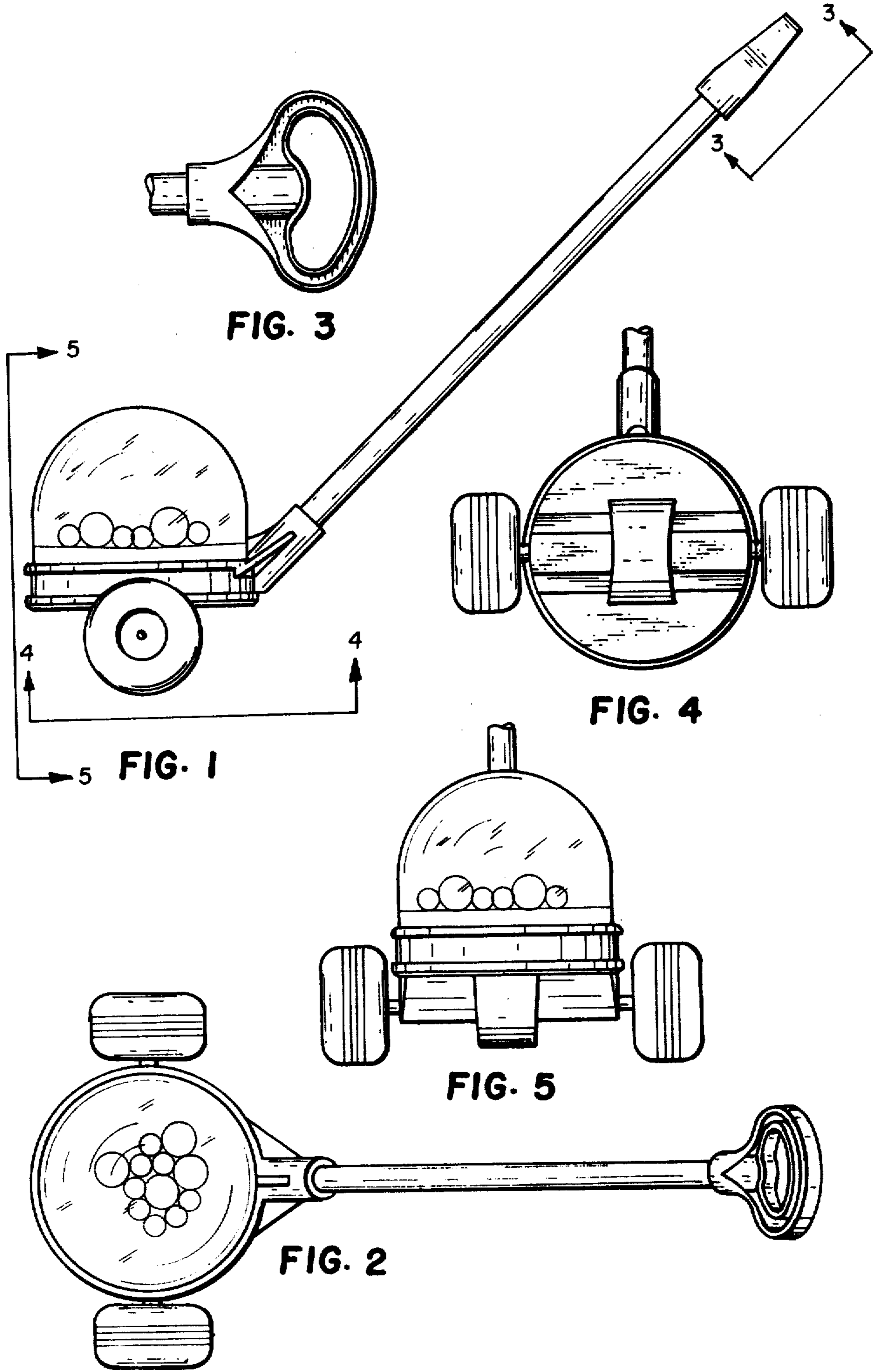


FIG. 3

FIG. 1

FIG. 4

FIG. 5

FIG. 2