

[54] **FLYABLE TOY ROTOR FOR KITE**

[76] Inventor: **Kenneth F. Guinn, 7513 Briley Dr.,
Forth Worth, Tex. 76118**

[**] Term: **14 Years**

[21] Appl. No.: **329,316**

[22] Filed: **Dec. 10, 1981**

[51] Int. Cl. **D21-01**

[52] U.S. Cl. **D21/91; D21/87**

[58] Field of Search **D21/87, 88, 89, 90,
D21/91, 92; 244/153 R, 155 R, 155 A; 46/76 R,
76 A, 79, 77**

[56] **References Cited**

U.S. PATENT DOCUMENTS

D. 219,283	11/1970	Rosenthal	D21/87
D. 219,290	11/1970	Rosenthal	D21/87
D. 219,295	11/1970	Rosenthal	D21/87
2,228,697	1/1941	Emmick	244/155 R
2,669,403	2/1954	McKay	244/155 R

Primary Examiner—Charles A. Rademaker
Attorney, Agent, or Firm—James E. Bradley

[57] **CLAIM**

The ornamental design for a flyable toy rotor for kite, as shown and described.

DESCRIPTION

FIG. 1 is a top perspective view of a flyable toy rotor for kite showing my new design; and, FIG. 2 is a bottom perspective view thereof.

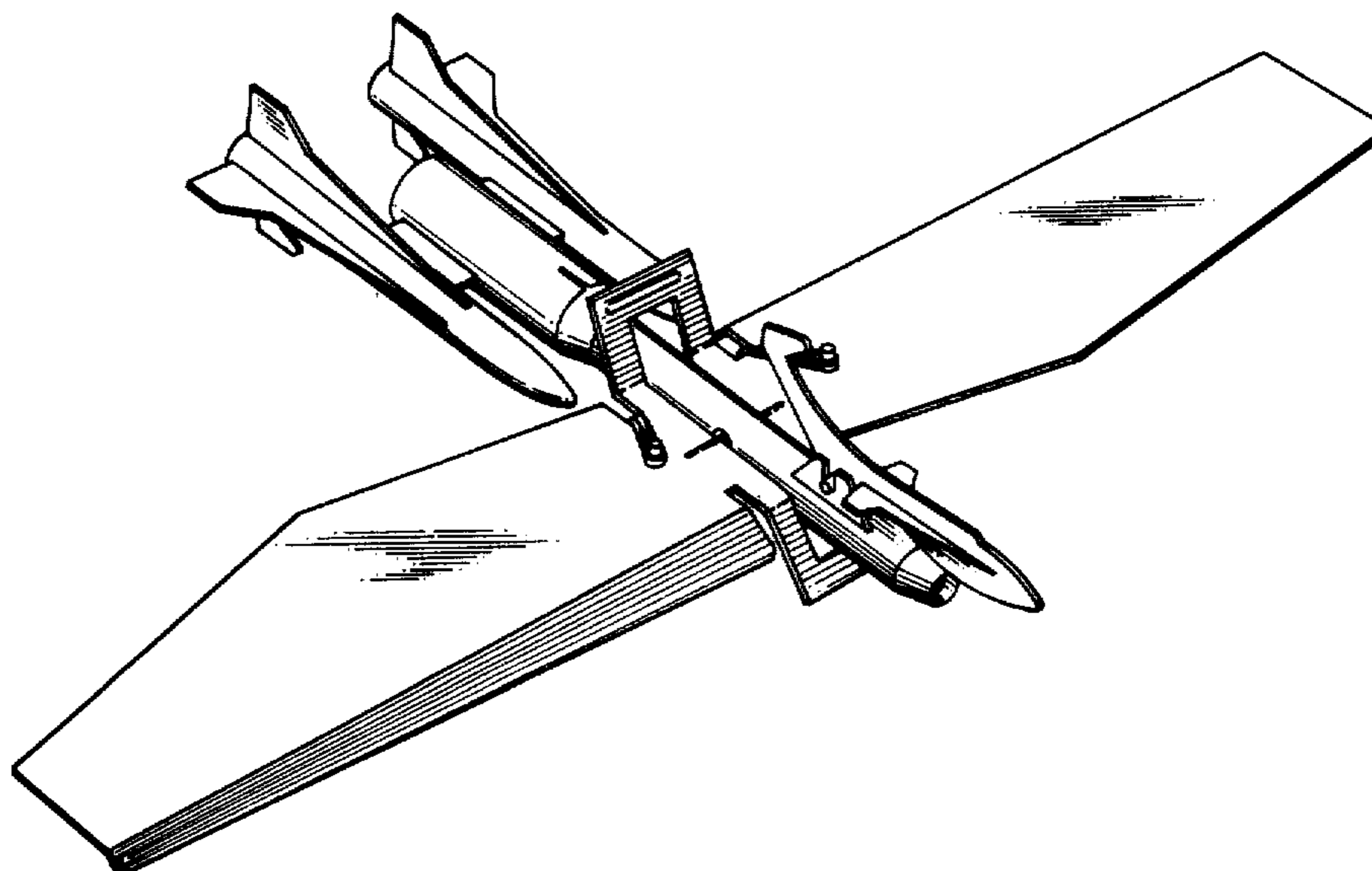


FIG. 1

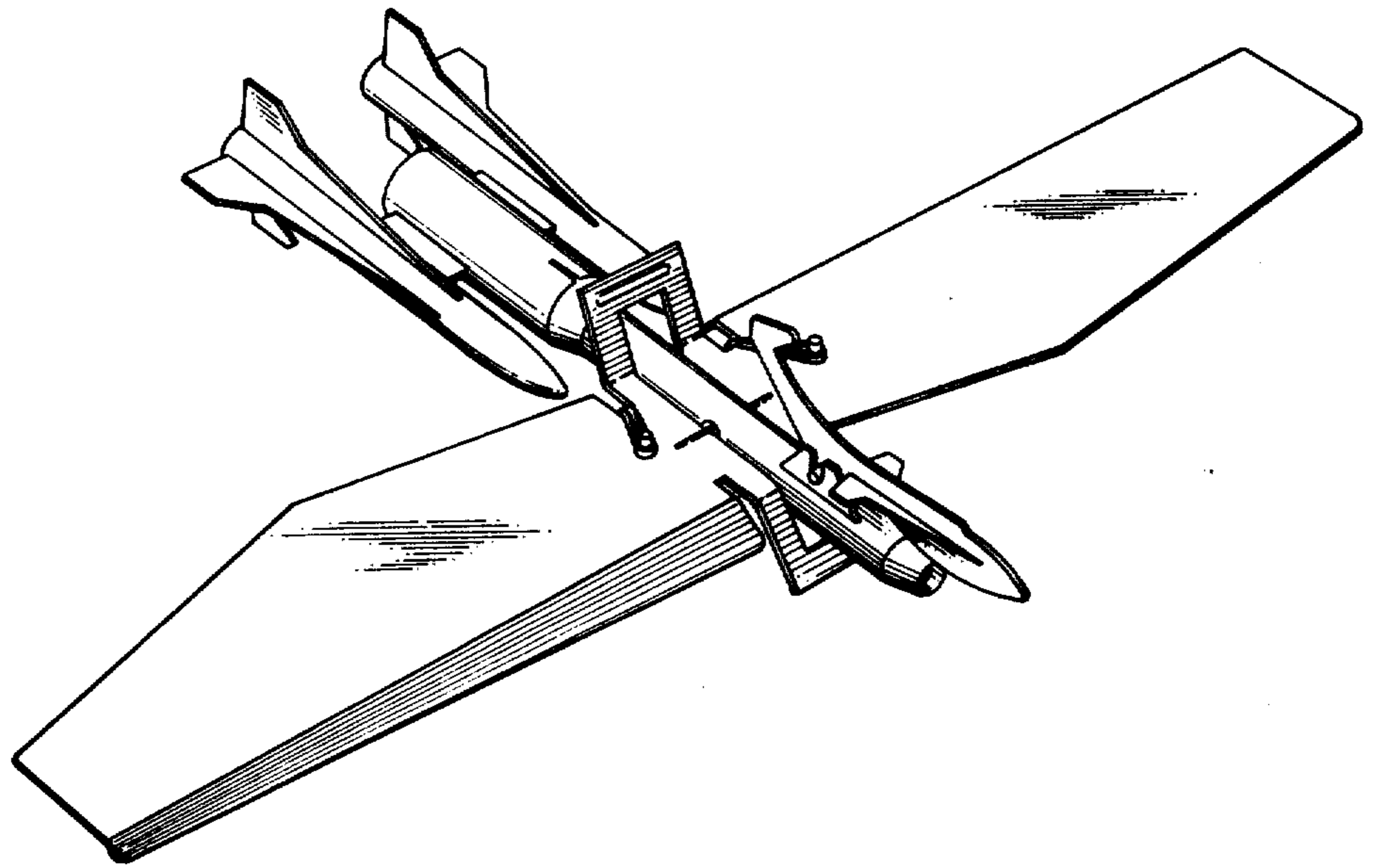


FIG. 2

