

[54] **TOY PERISCOPE**

[75] **Inventor:** John T. Sahler, East Aurora, N.Y.

[73] **Assignee:** The Quaker Oats Company, Chicago, Ill.

[**] **Term:** 14 Years

[21] **Appl. No.:** 345,743

[22] **Filed:** Feb. 4, 1982

[52] **U.S. Cl.** D21/59; D16/130;
D21/155

[58] **Field of Search** D21/59, 155; D16/130

[56] **References Cited**

U.S. PATENT DOCUMENTS

D. 260,157 8/1981 Appel et al. D21/155

OTHER PUBLICATIONS

Playthings, May, 1980, inside back cover, lower right, Toy Periscope.

Primary Examiner—Melvin B. Feifer
Attorney, Agent, or Firm—Cumpston & Shaw

[57] **CLAIM**

The ornamental design for a toy periscope, substantially as shown and described.

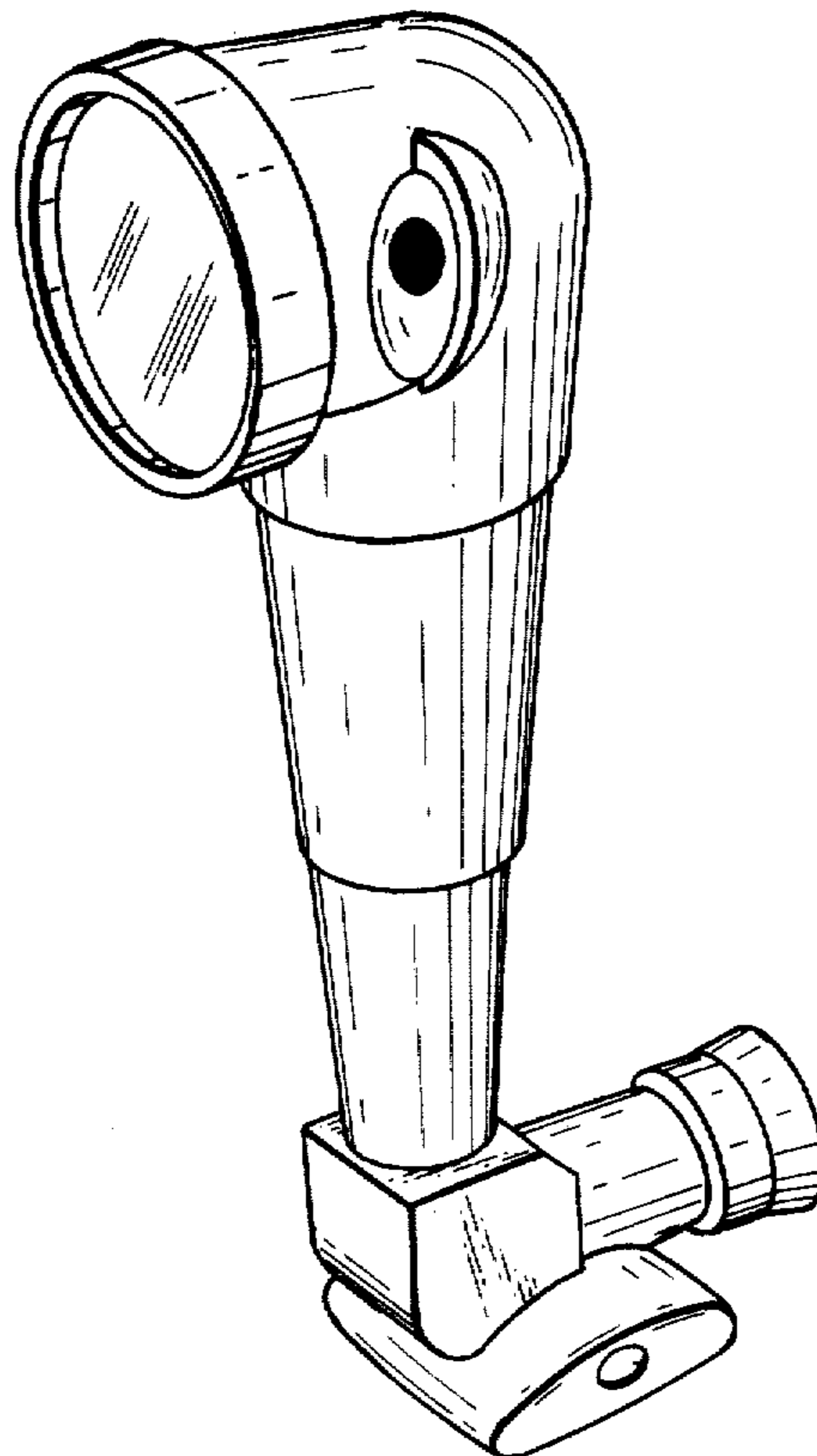
DESCRIPTION

FIG. 1 is a perspective view of a toy periscope showing my new design;

FIG. 2 is a right side elevational view thereof;

FIG. 3 is a rear elevational view taken in the direction of arrows 3—3 in FIG. 2; and

FIG. 4 is a bottom plan view thereof.



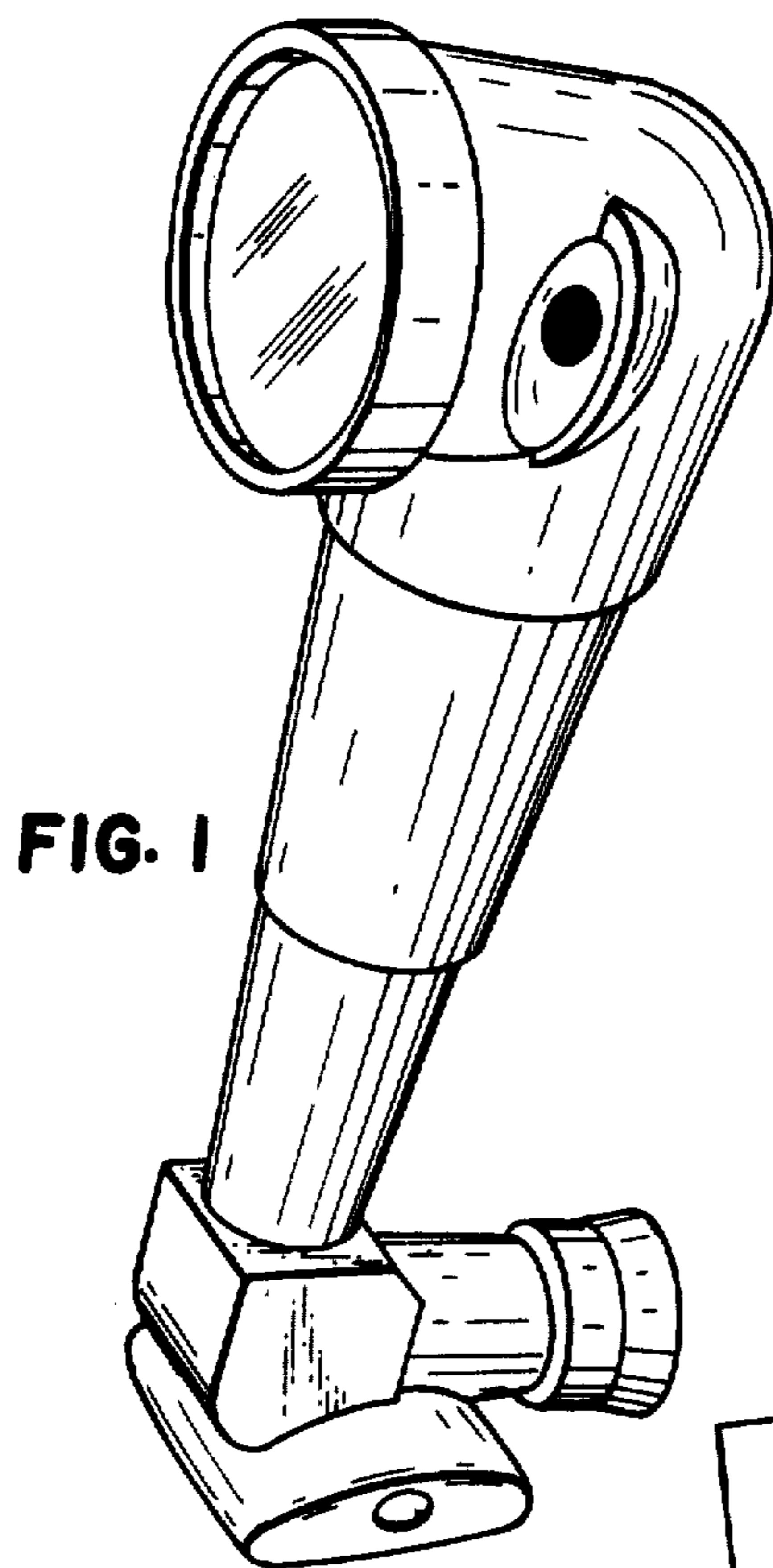


FIG. 1

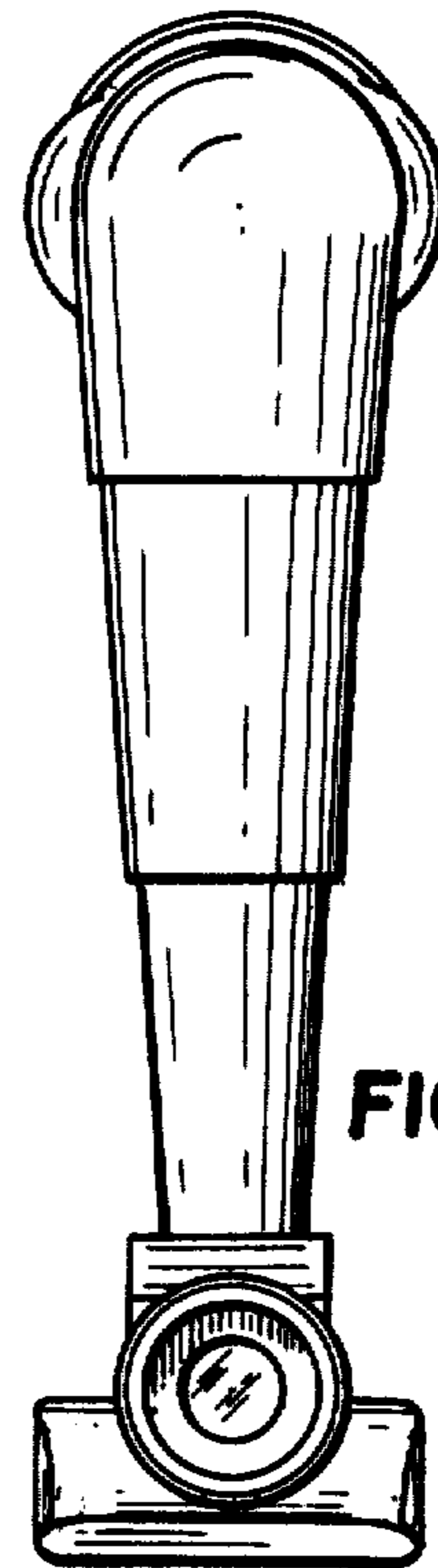


FIG. 3

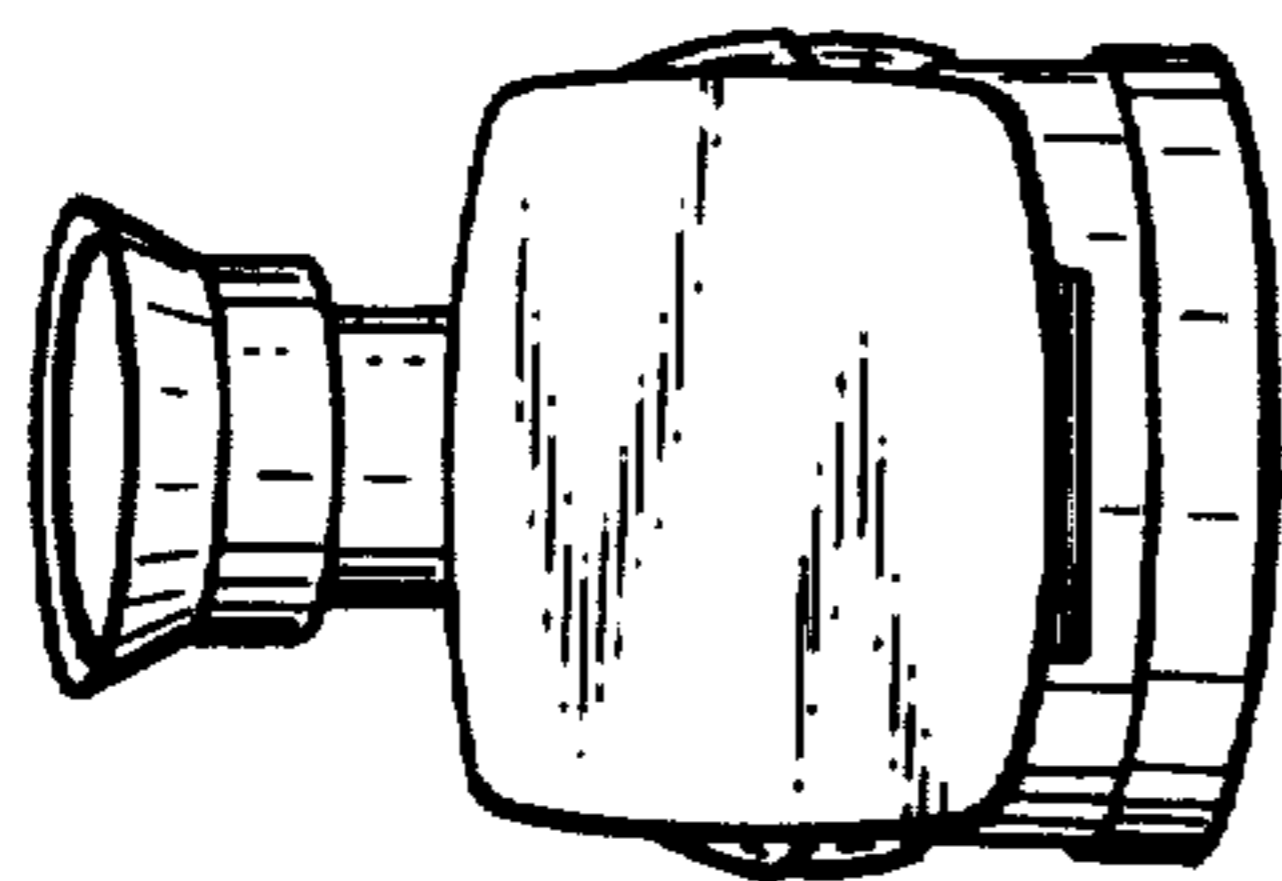


FIG. 4

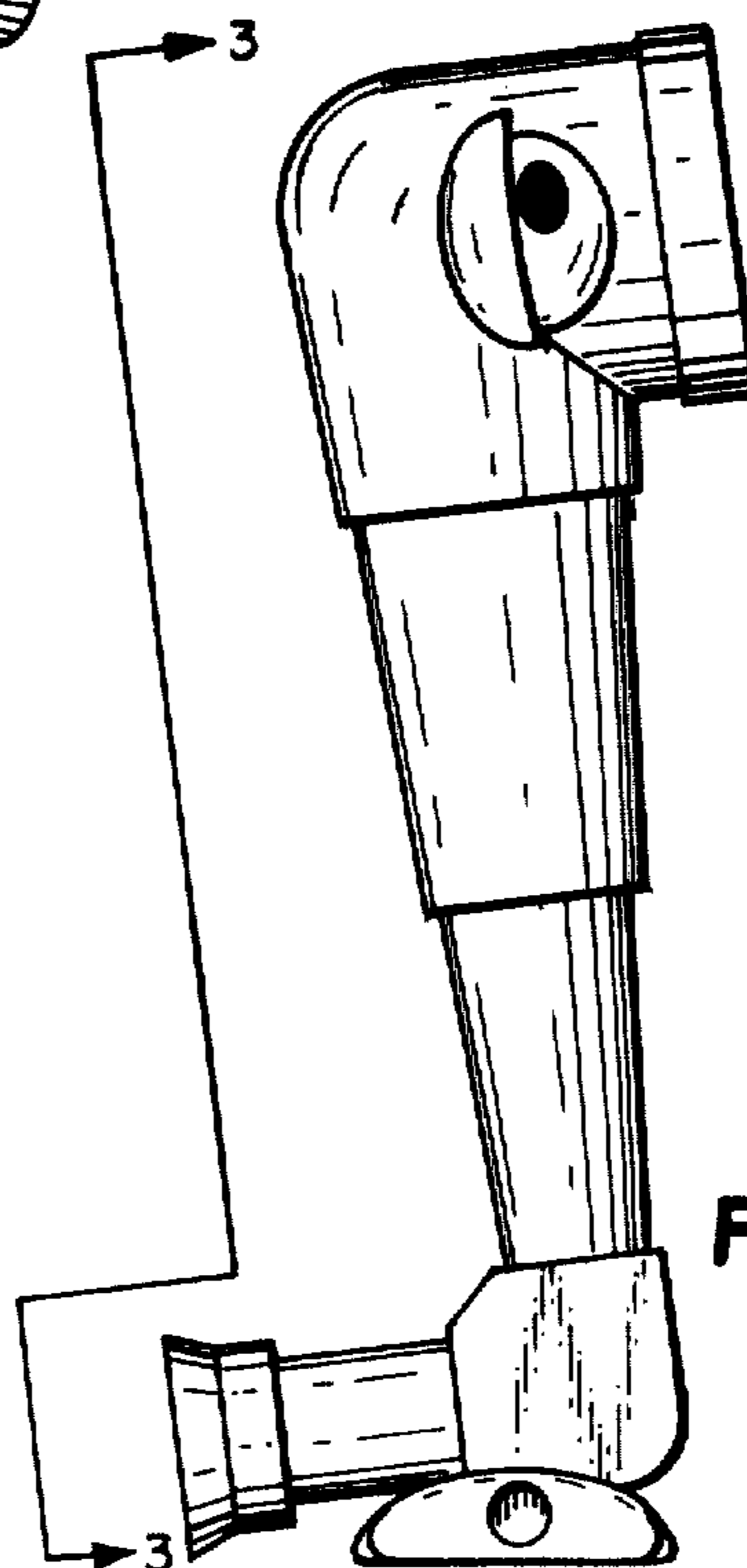


FIG. 2