

[54] BINGO EQUIPMENT CONTAINER

[76] Inventors: Ronald B. . Quinn; Mark Hudson; Sharon Belson, all of 5450 Ethel Ave., Van Nuys, Calif. 91401

[**] Term: 14 Years

[21] Appl. No.: 303,364

[22] Filed: Sep. 18, 1981

[51] Int. Cl. D21-01

[52] U.S. Cl. D21/55; D3/74; D7/38; D9/347

[58] Field of Search D21/54, 55, 56; D19/76, D19/96; D3/74, 36; 206/315, 579, 564; D9/424, 345, 346, 347; D7/38, 71; 273/269, 270, 148 A; 229/27, 15

[56] References Cited

U.S. PATENT DOCUMENTS

74,740	2/1868	Walworth	434/107
D. 230,657	3/1974	Begun	D9/347
D. 251,214	2/1979	Coleman	D3/74

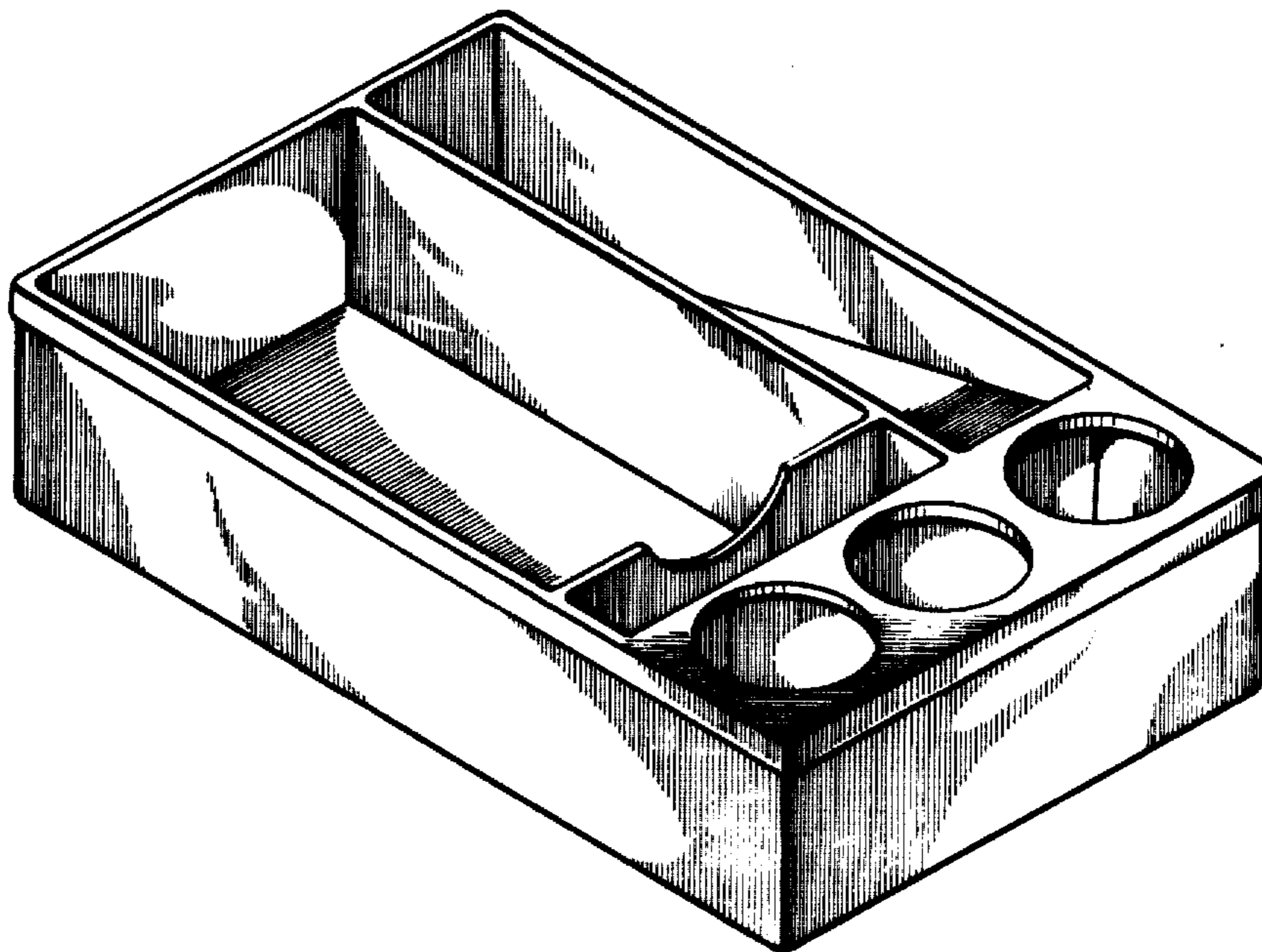
Primary Examiner—Melvin B. Feifer
Attorney, Agent, or Firm—Matthew P. Lynch

[57] CLAIM

The ornamental design for a bingo equipment container, substantially as shown and described.

DESCRIPTION

FIG. 1 is a front perspective of an open bingo equipment container embodying our design; FIG. 2 is a rear view thereof; FIG. 3 is a front view thereof; FIG. 4 is a side view thereof; FIG. 5 is a top view thereof; and FIG. 6 is a top view of an alternative design thereof.



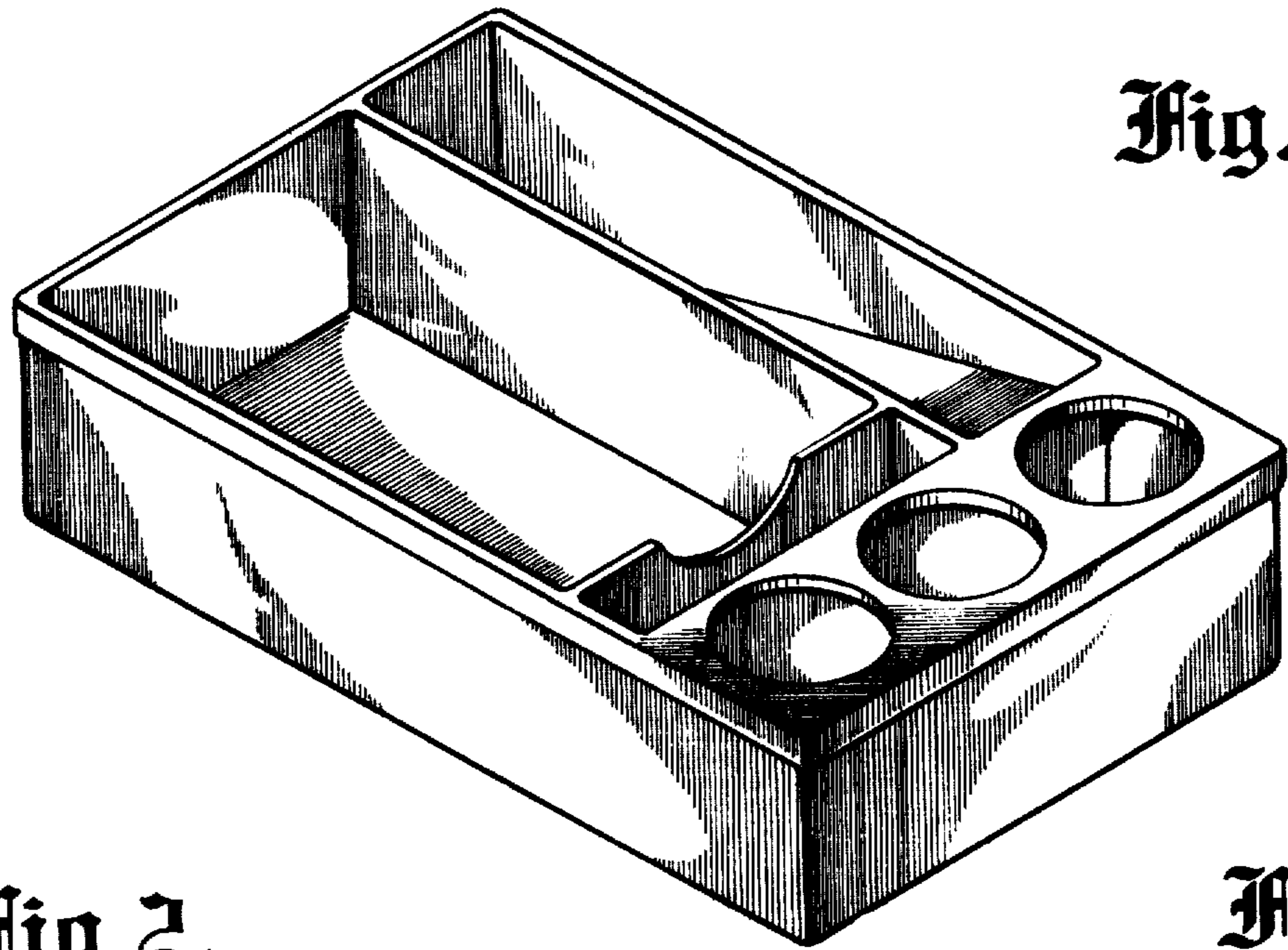


Fig. 1.

Fig. 2.

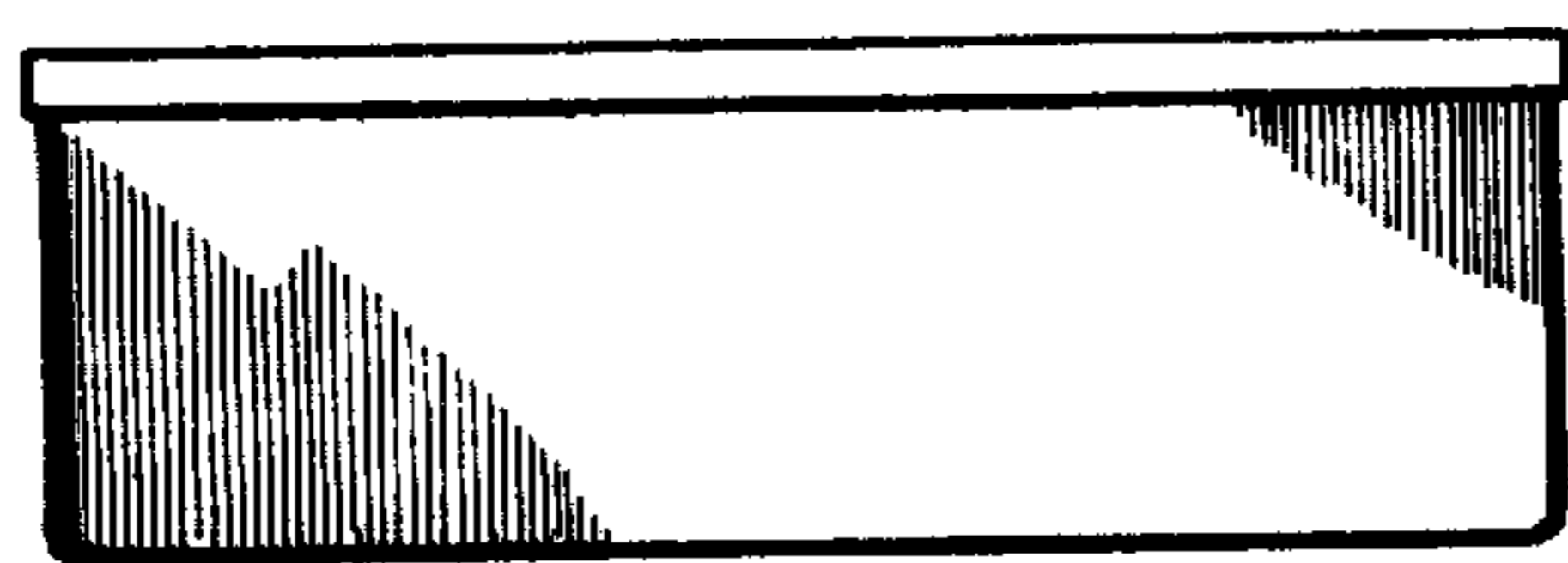


Fig. 3.

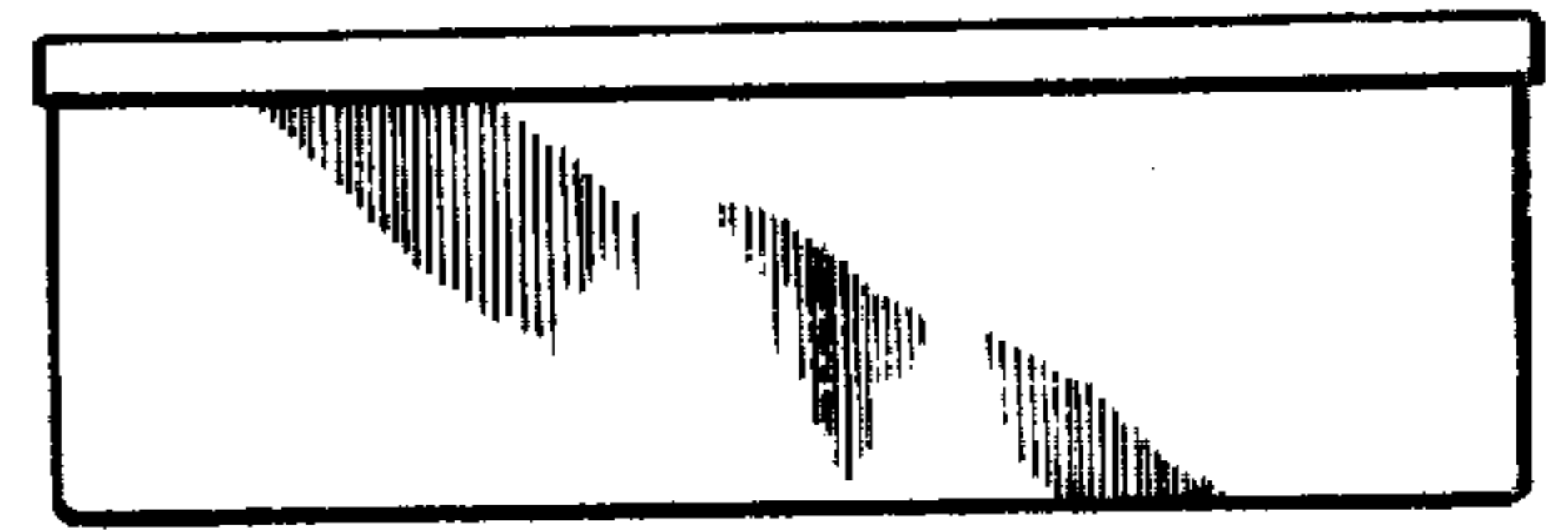


Fig. 4.

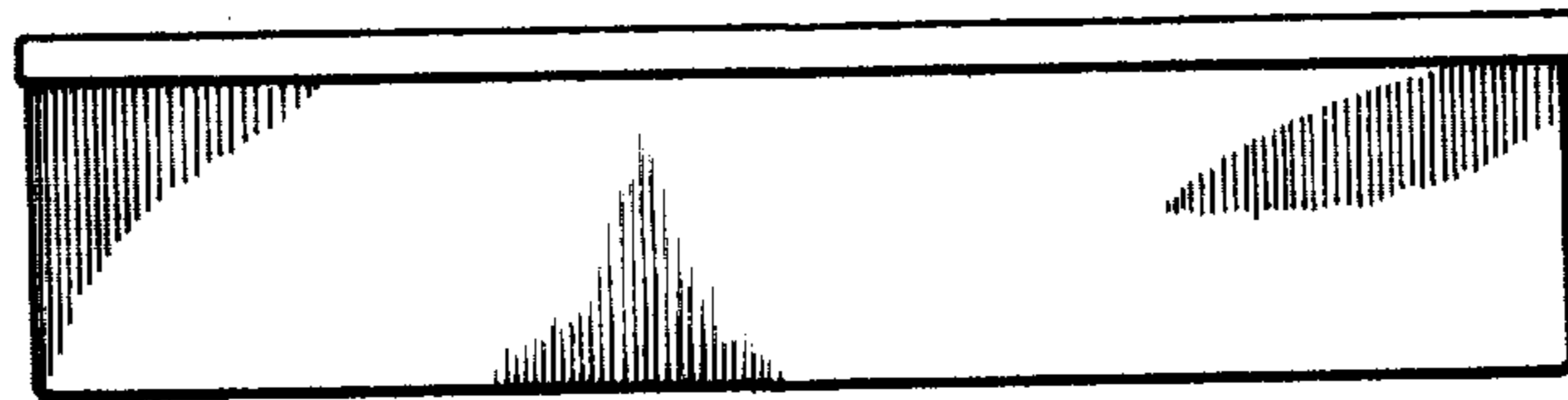


Fig. 5.

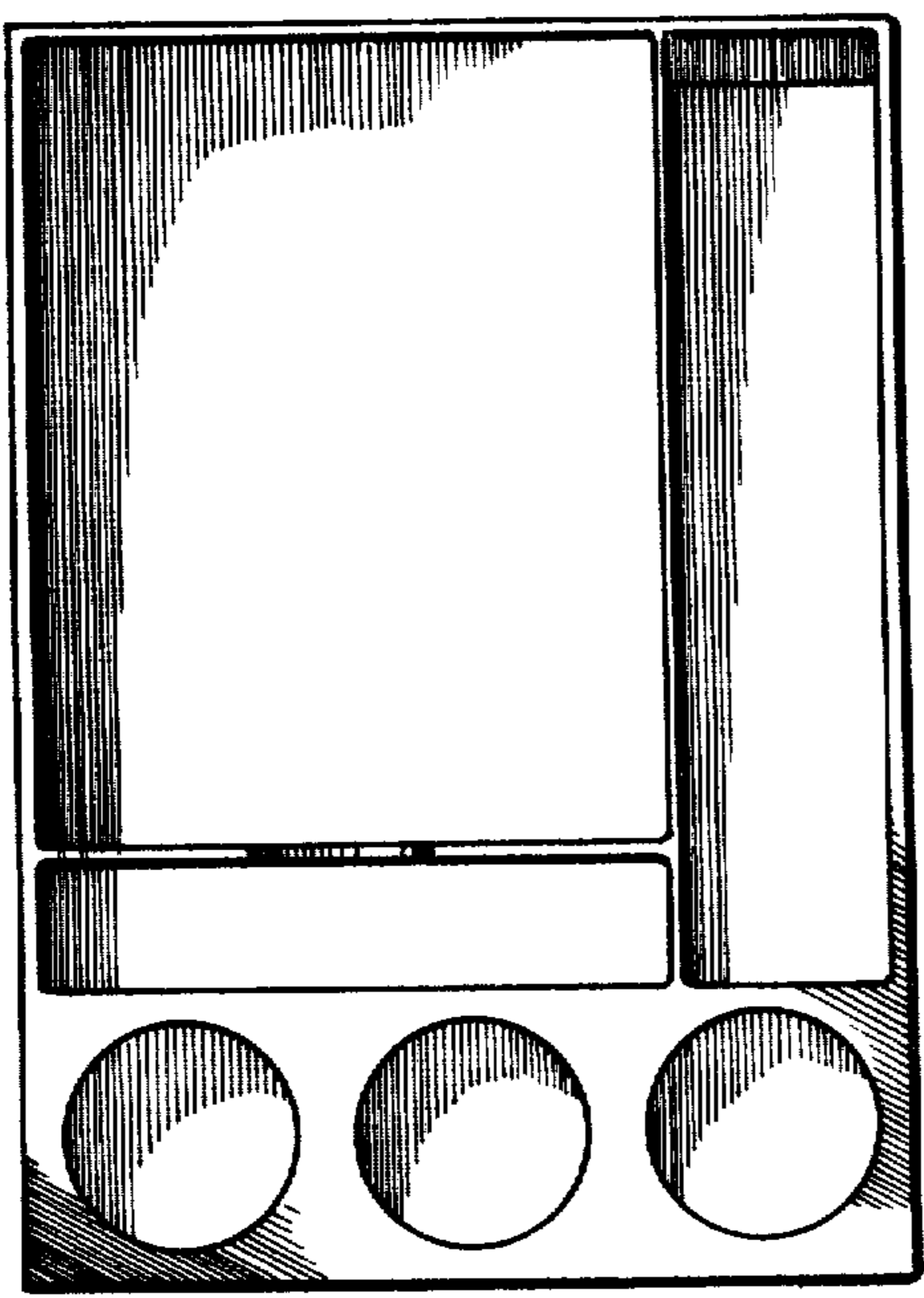


Fig. 6.

