

[54] OPTICAL COUPLER PHOTOGRAPHIC ACCESSORY
[75] Inventors: Richard E. Feinbloom, New York; Richard Lepczynski, Brooklyn; Wladyslaw Oleksy, New York, all of N.Y.

[73] Assignee: Designs for Vision, Inc., New York, N.Y.

[**] Term: 14 Years

[21] Appl. No.: 318,392

[22] Filed: Nov. 5, 1981

[51] Int. Cl. D16-05; D16-05
[52] U.S. Cl. D16/130; D16/38
[58] Field of Search D16/130, 10, 26, 38, D16/47, 136; 354/62, 79, 286; 358/98; 128/6.9; D13/24

[56] References Cited

U.S. PATENT DOCUMENTS

- D. 167,455 8/1952 Gerhardt 354/62
- D. 197,257 12/1963 Fladlien et al. D16/38
- D. 248,160 6/1978 Feinbloom D16/38

- 2,478,545 8/1949 Pearce 354/62
- 2,940,371 6/1960 Thurow 354/62
- 4,181,419 1/1980 Schlapp et al. 354/286
- 4,188,942 2/1980 Fehlberg 128/6
- 4,210,133 6/1980 Castaneda 128/6
- 4,248,213 2/1981 Londre 358/98
- 4,261,345 4/1981 Yamaguchi 128/6
- 4,320,951 3/1982 Kawai 354/286

FOREIGN PATENT DOCUMENTS

- 191585 1/1937 Switzerland 354/286

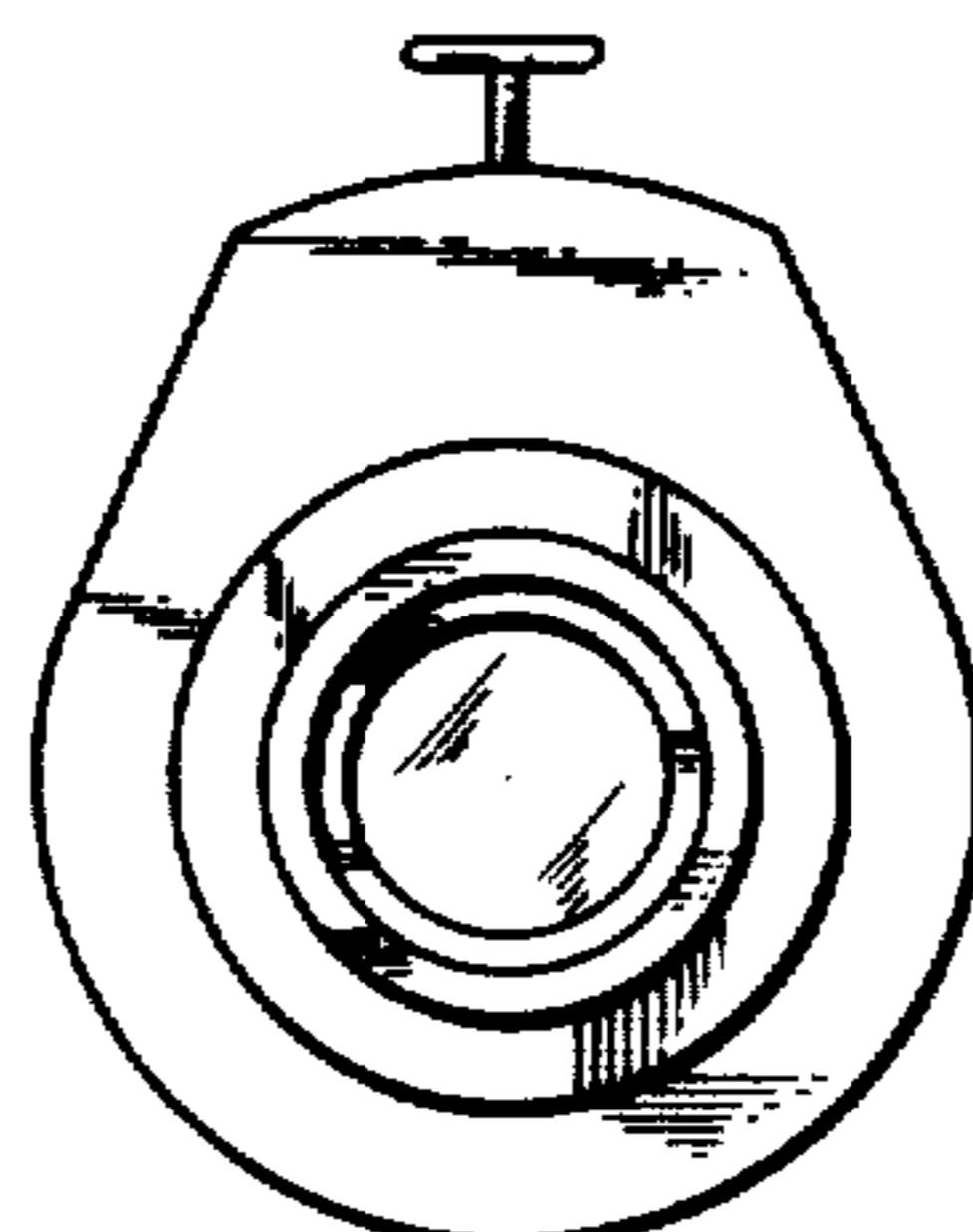
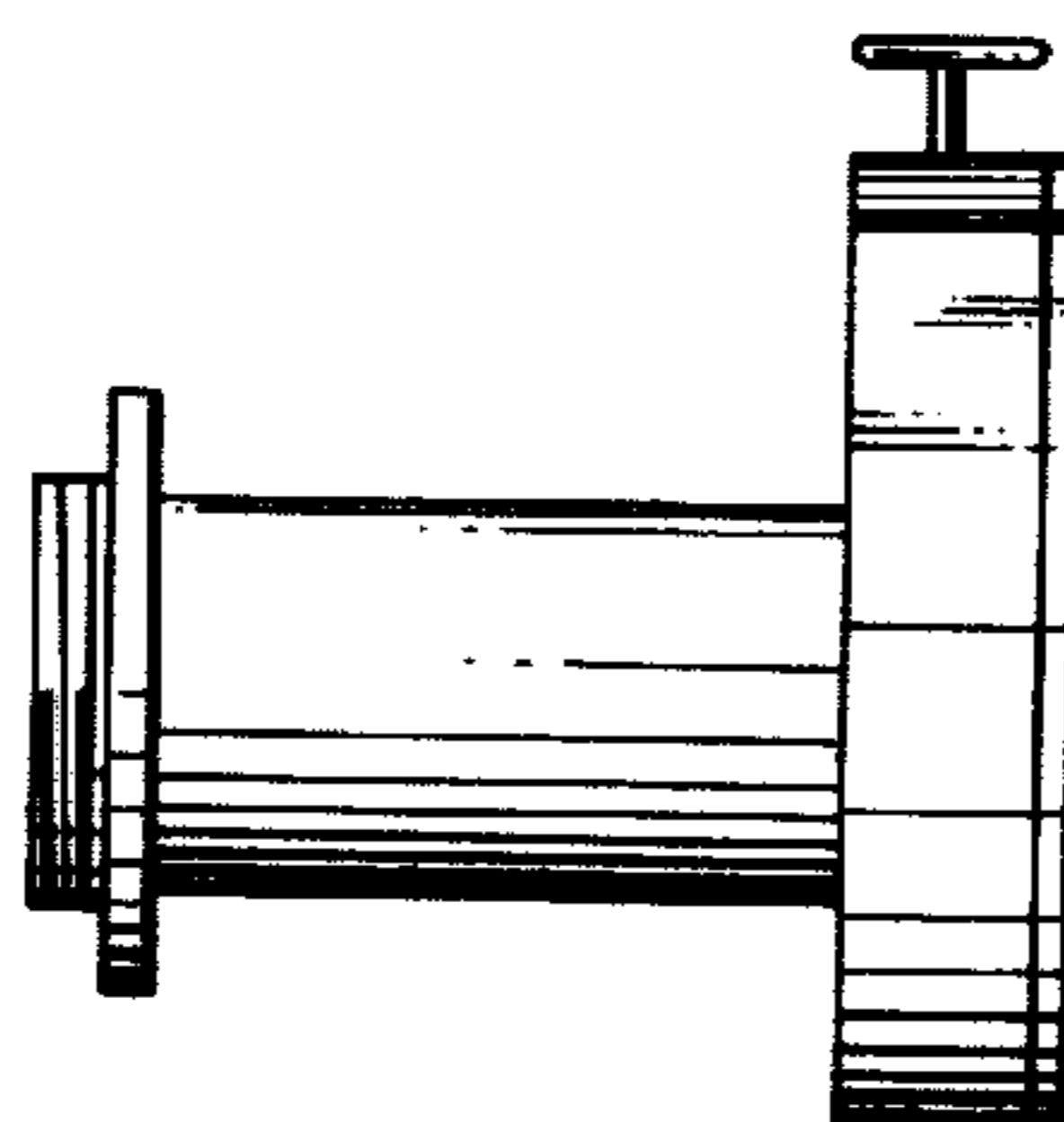
Primary Examiner—Wallace R. Burke
Assistant Examiner—Horace B. Fay, Jr.
Attorney, Agent, or Firm—Arthur L. Plevy

[57] CLAIM

The ornamental design for an optical coupler photographic accessory, as shown and described.

DESCRIPTION

FIG. 1 is a side elevational view of an optical coupler photographic accessory showing our new design; FIG. 2 is a top plan view thereof; FIG. 3 is a bottom plan view thereof; FIG. 4 is a front elevational view thereof; FIG. 5 is a rear elevational view thereof.



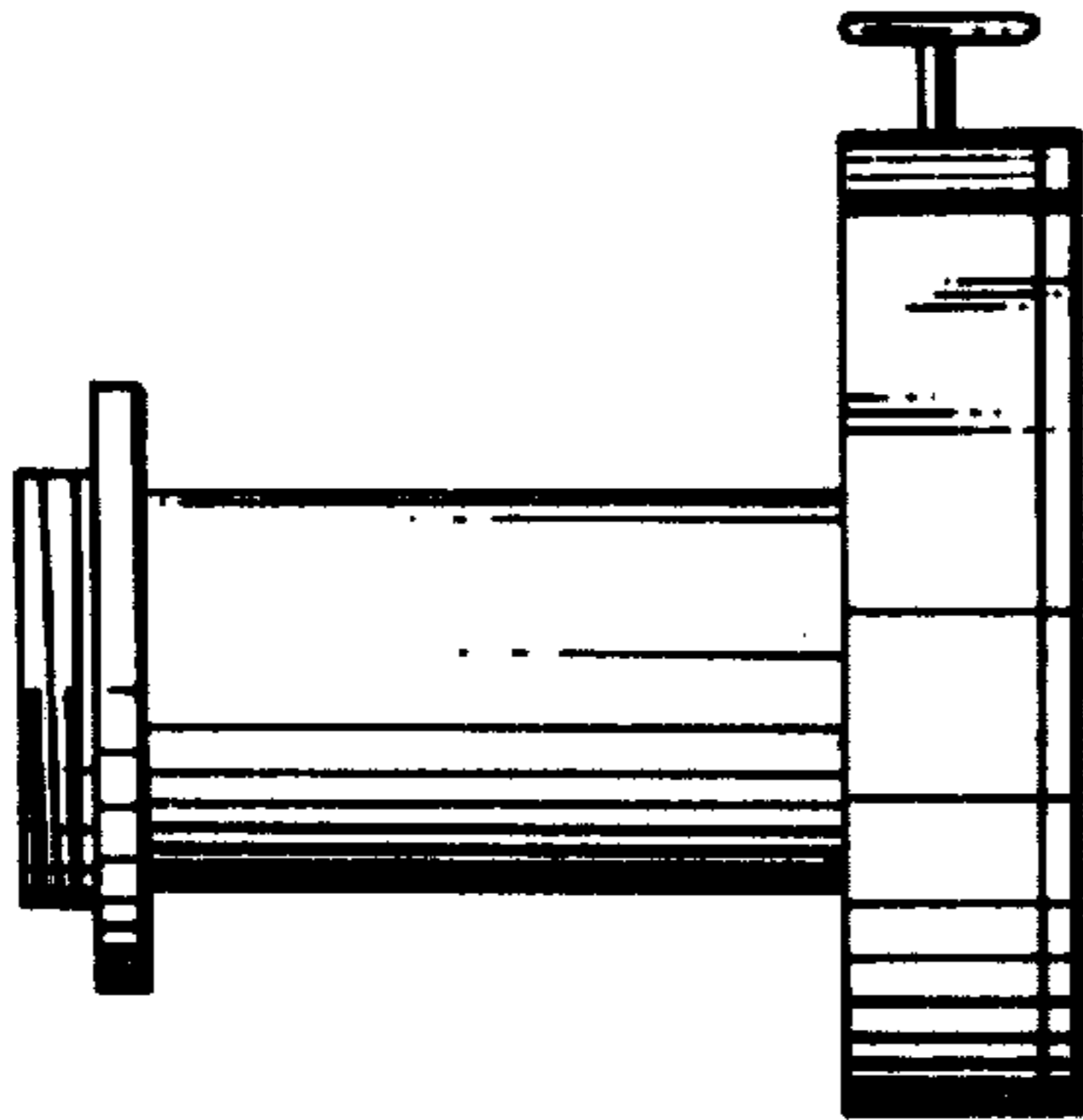


FIG. 1

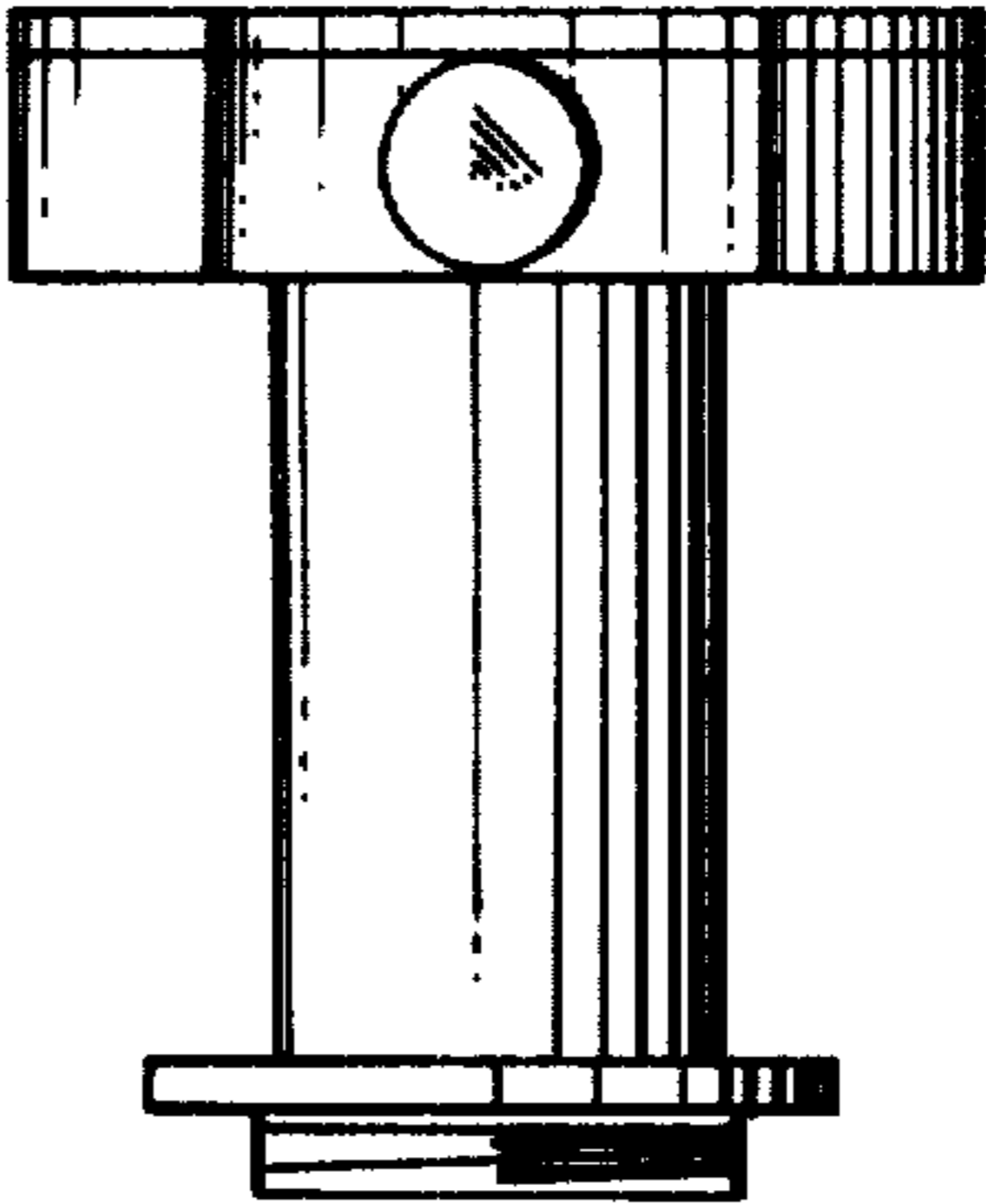


FIG. 2

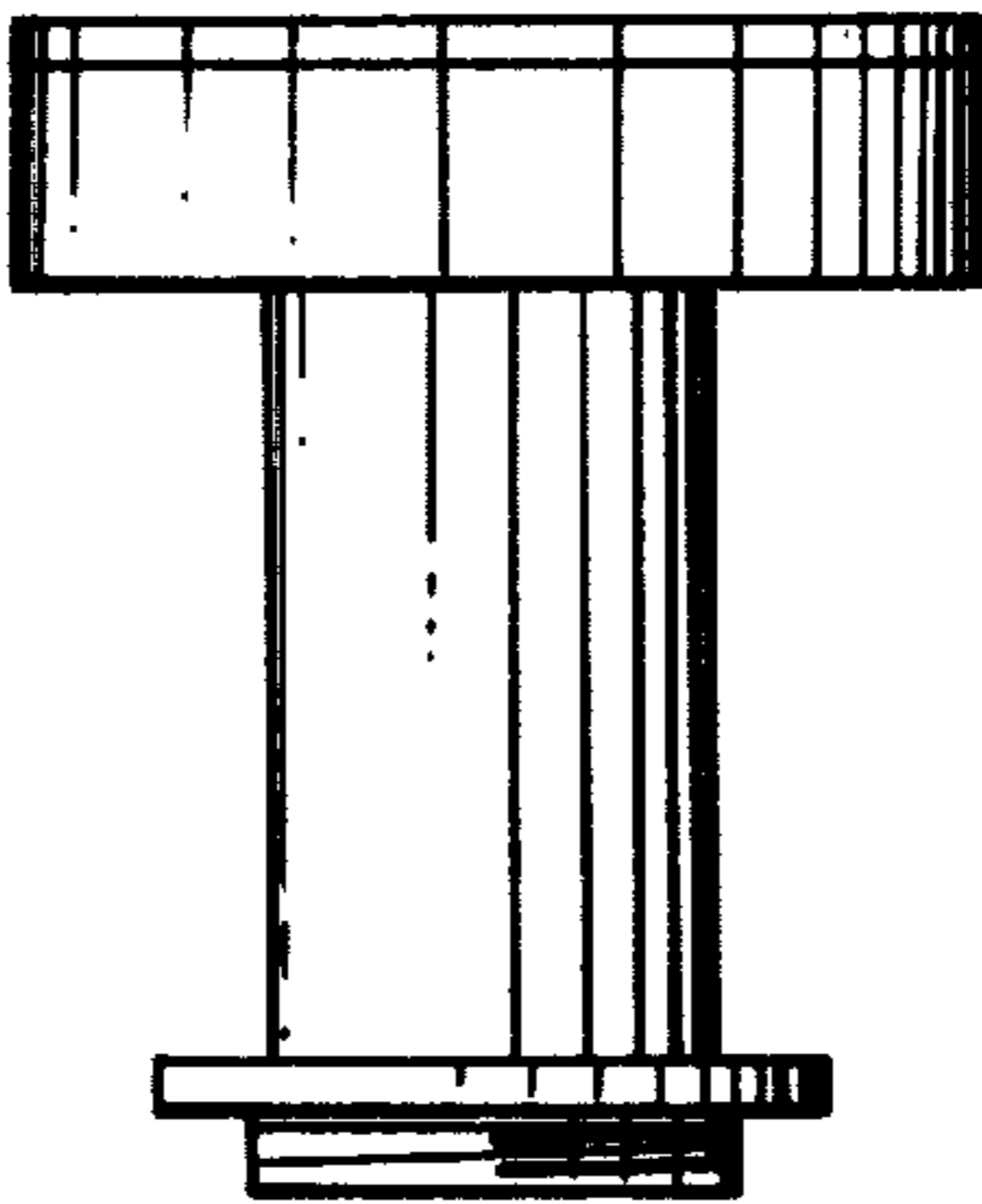


FIG. 3

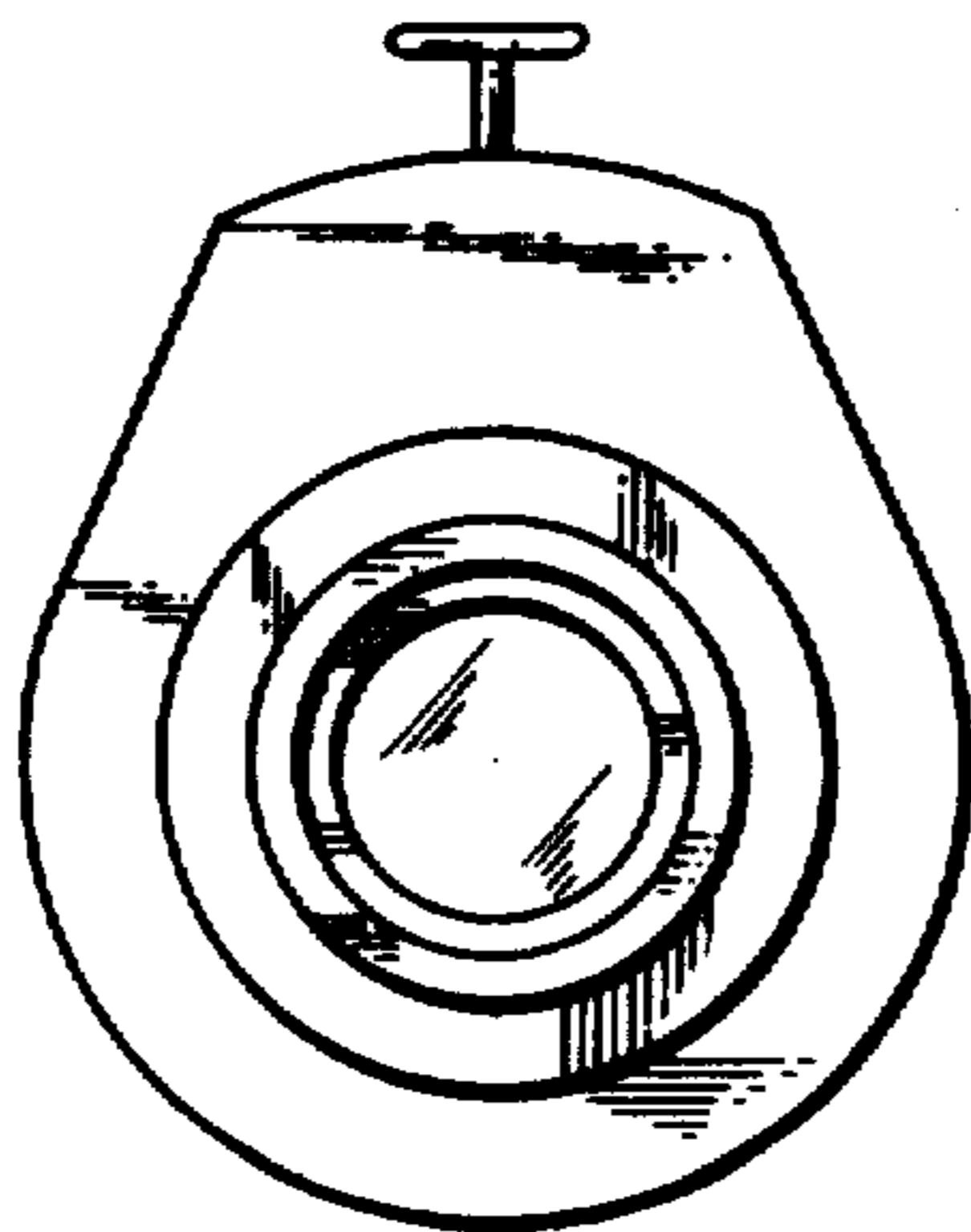


FIG. 4

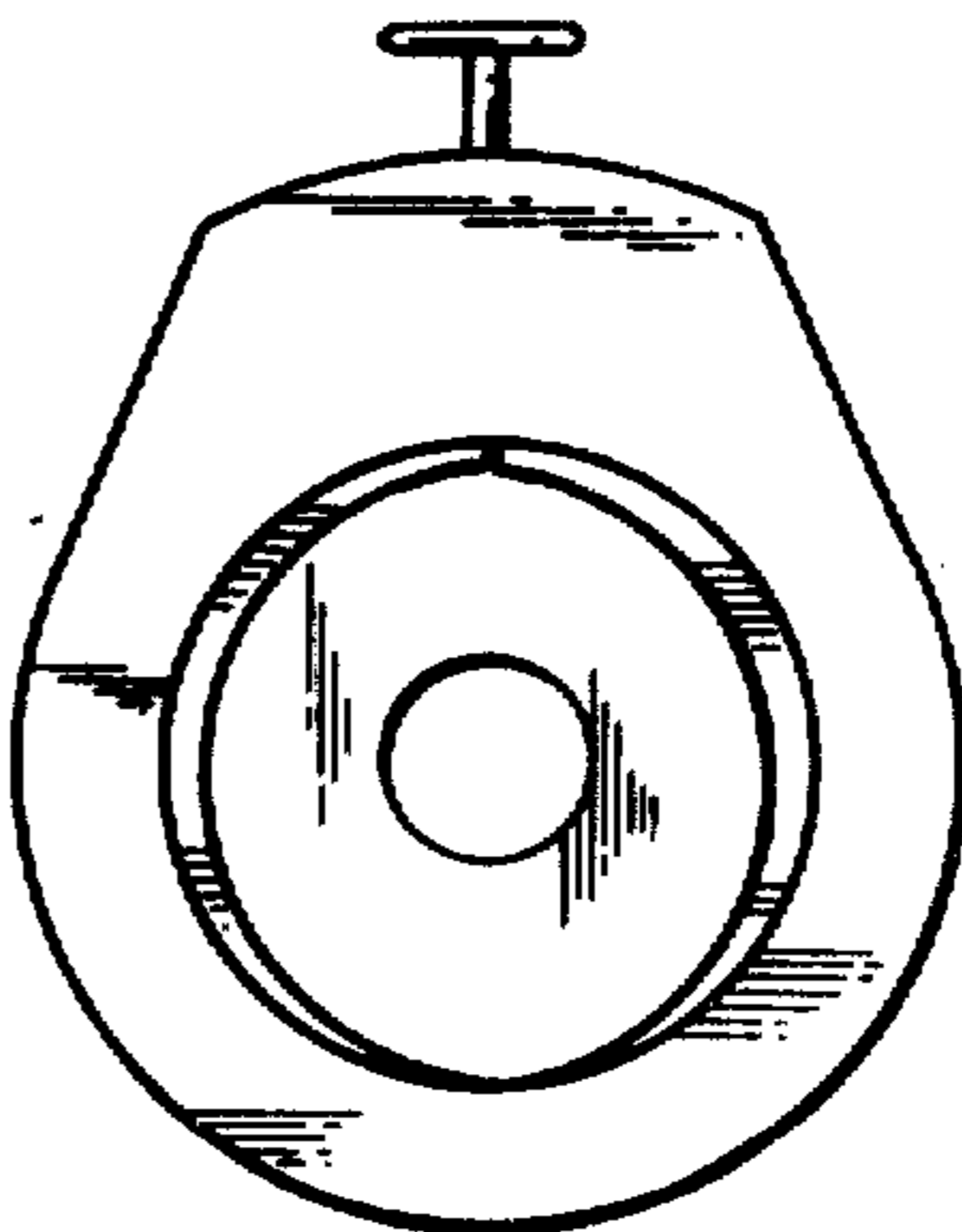


FIG. 5