

[54] TAPE SLITTER

[75] Inventor: James C. Bolton, Ojai, Calif.

[73] Assignee: Industrial Tools, Inc., Ojai, Calif.

[**] Term: 14 Years

[21] Appl. No.: 323,195

[22] Filed: Nov. 20, 1981

[51] Int. Cl. D15-09

[52] U.S. Cl. D15/127

[58] Field of Search D15/127, 138, 129; 83/500, 501, 478

[56] References Cited

U.S. PATENT DOCUMENTS

- 1,949,066 2/1934 Waner D15/127
- 3,575,329 4/1971 Hannabery 83/500
- 4,172,400 10/1979 Brierley 83/500

4,275,630 6/1981 Goldsmith et al. 83/500

Primary Examiner—B. J. Bullock

Attorney, Agent, or Firm—Ralph B. Pastoriza

[57] CLAIM

The ornamental design for a tape splitter, substantially as shown.

DESCRIPTION

FIG. 1 is a perspective view of a tape splitter showing my new design;

FIG. 2 is a front elevational view thereof;

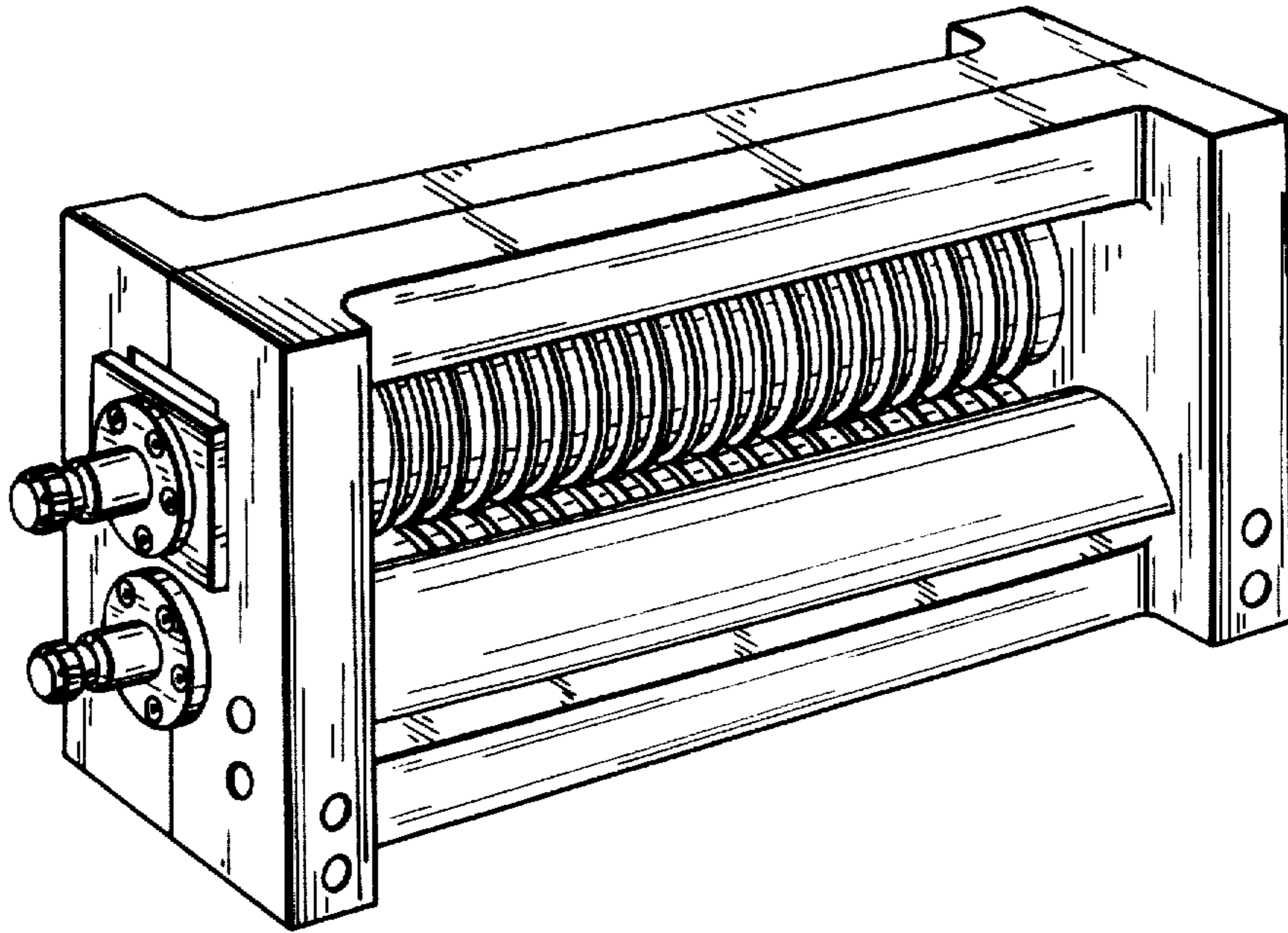
FIG. 3 is a side elevational view taken from the left of FIG. 1;

FIG. 4 is a side elevational view take from the right of FIG. 1;

FIG. 5 is a rear elevational view thereof;

FIG. 6 is a top plan view thereof; and

FIG. 7 is a bottom plan view thereof.



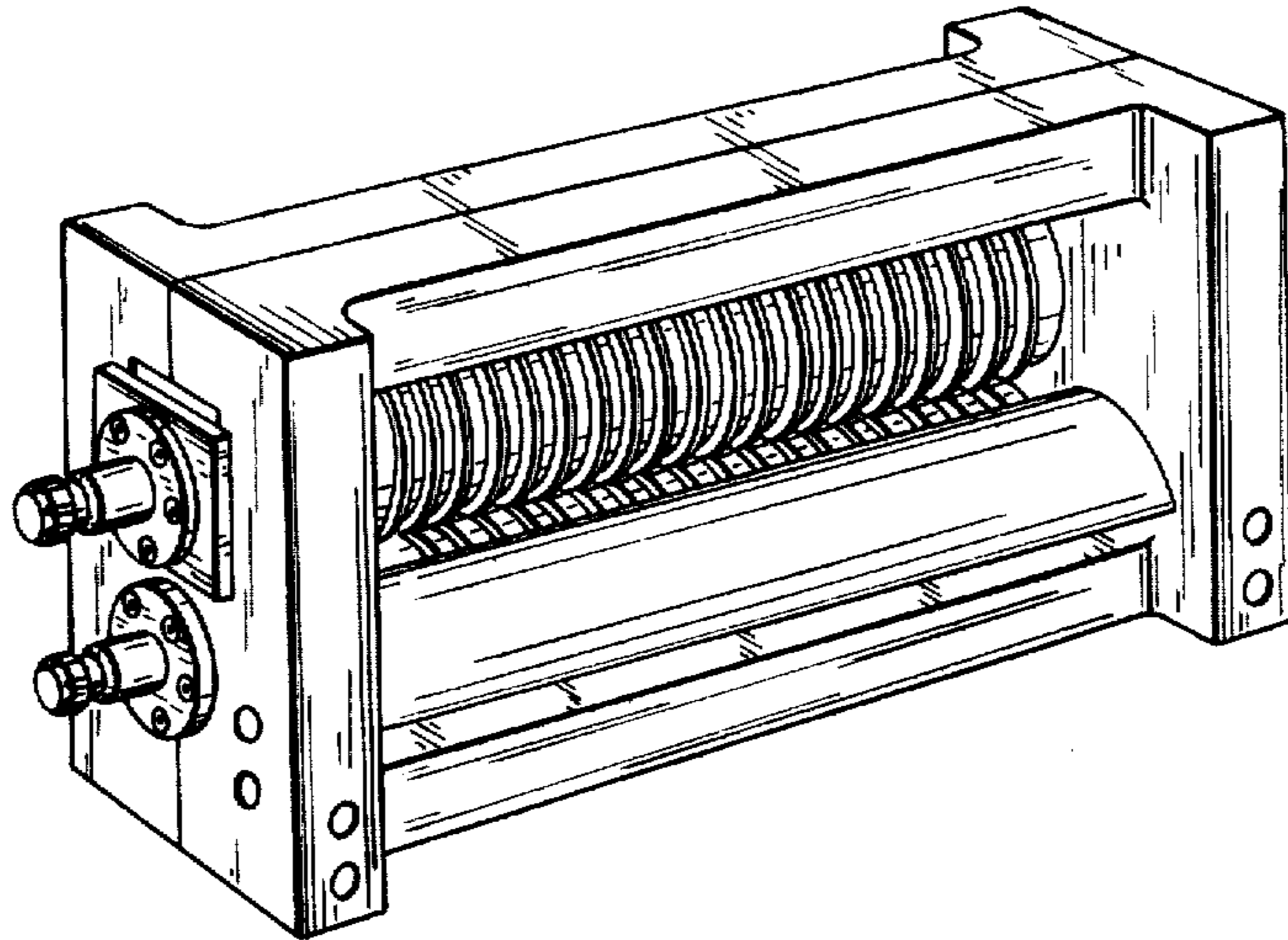


FIG. 1

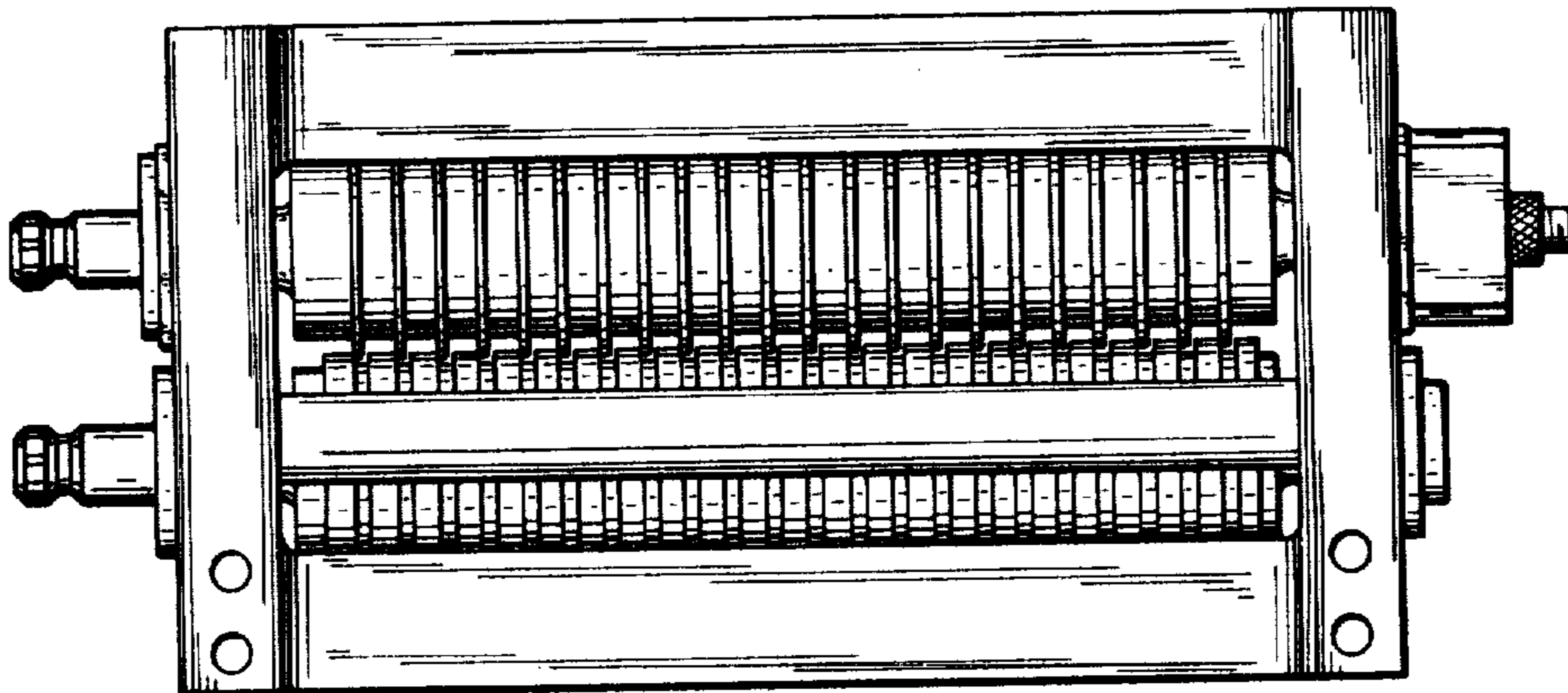


FIG. 2

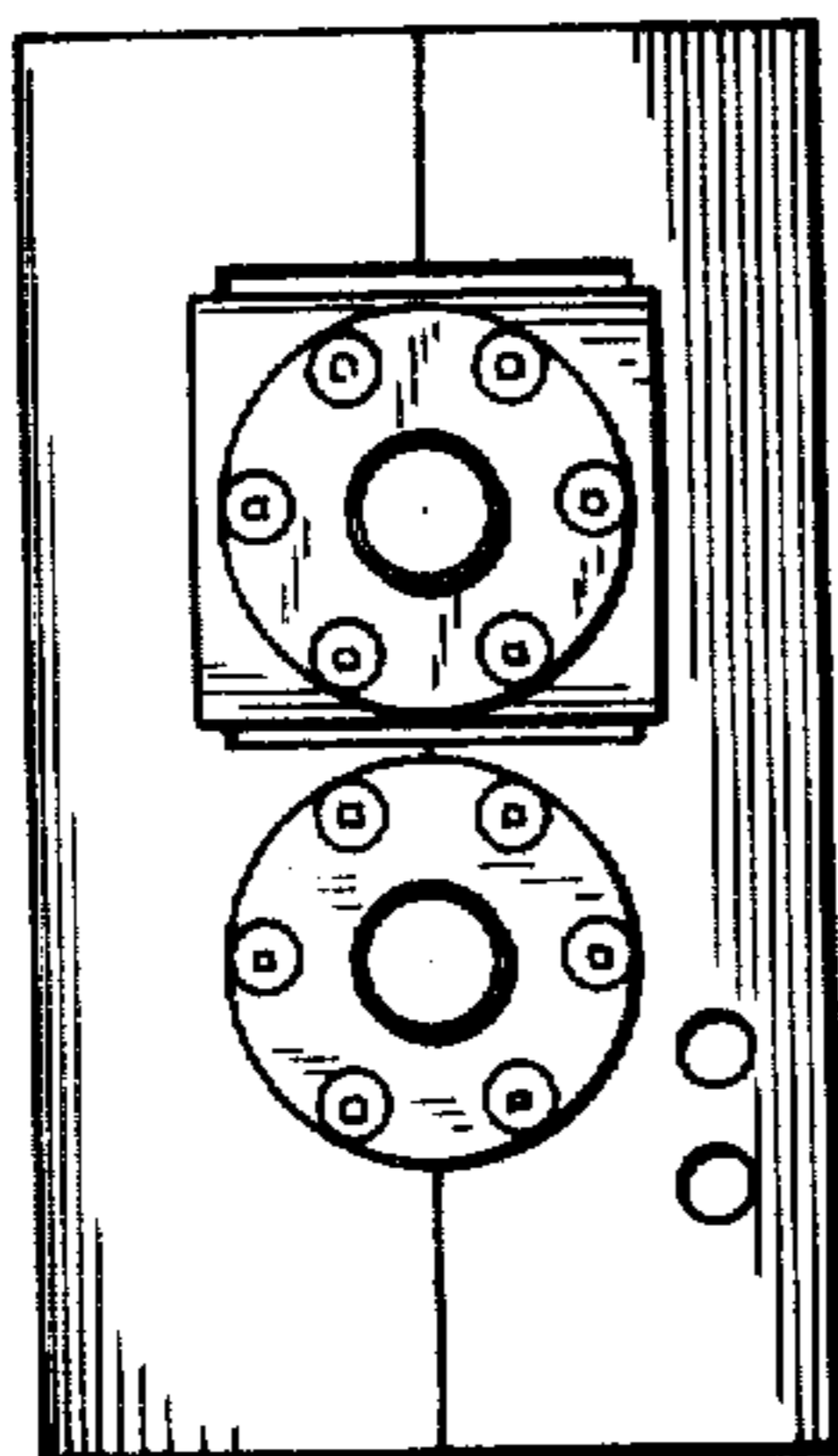


FIG. 3

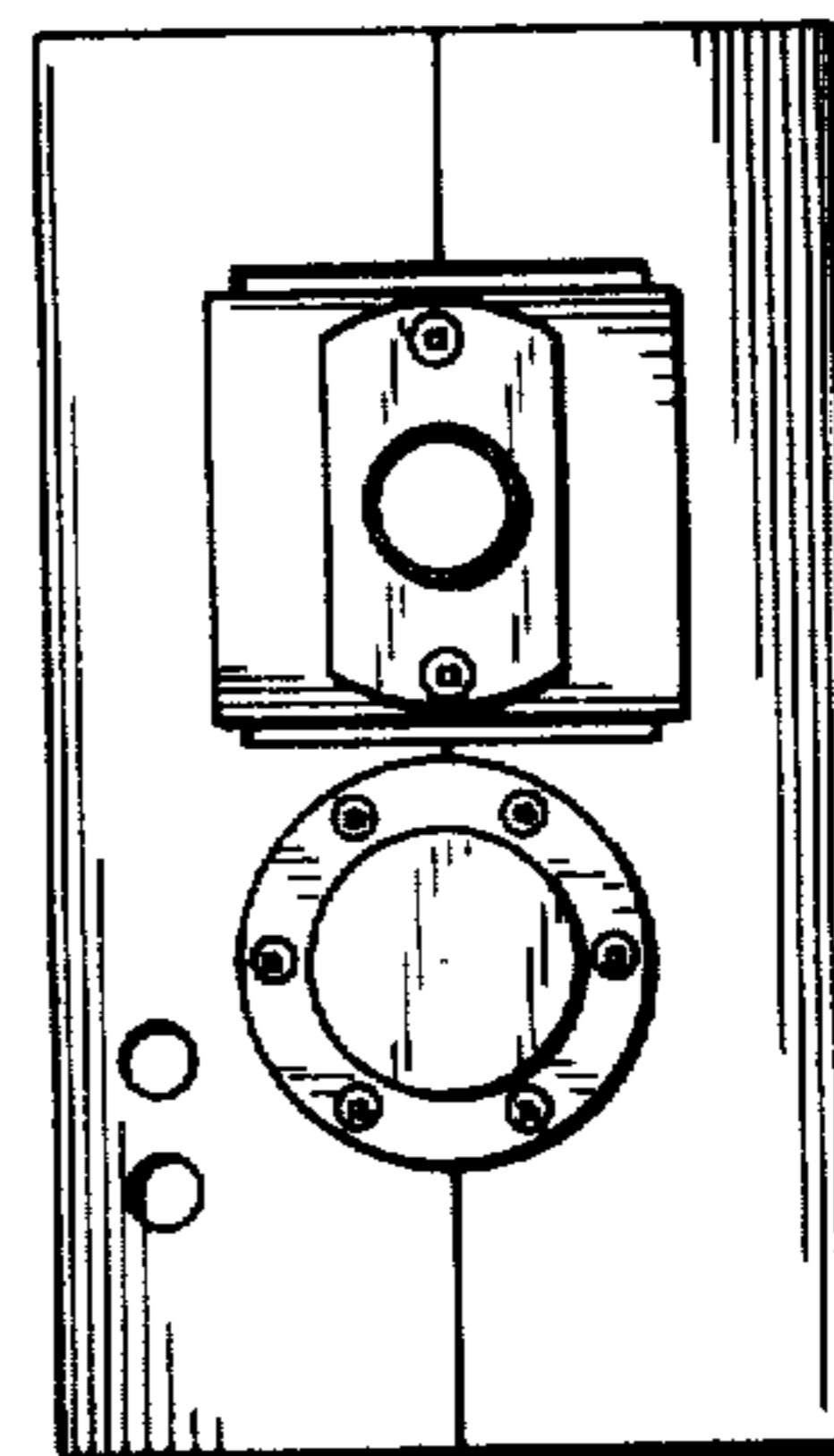


FIG. 4

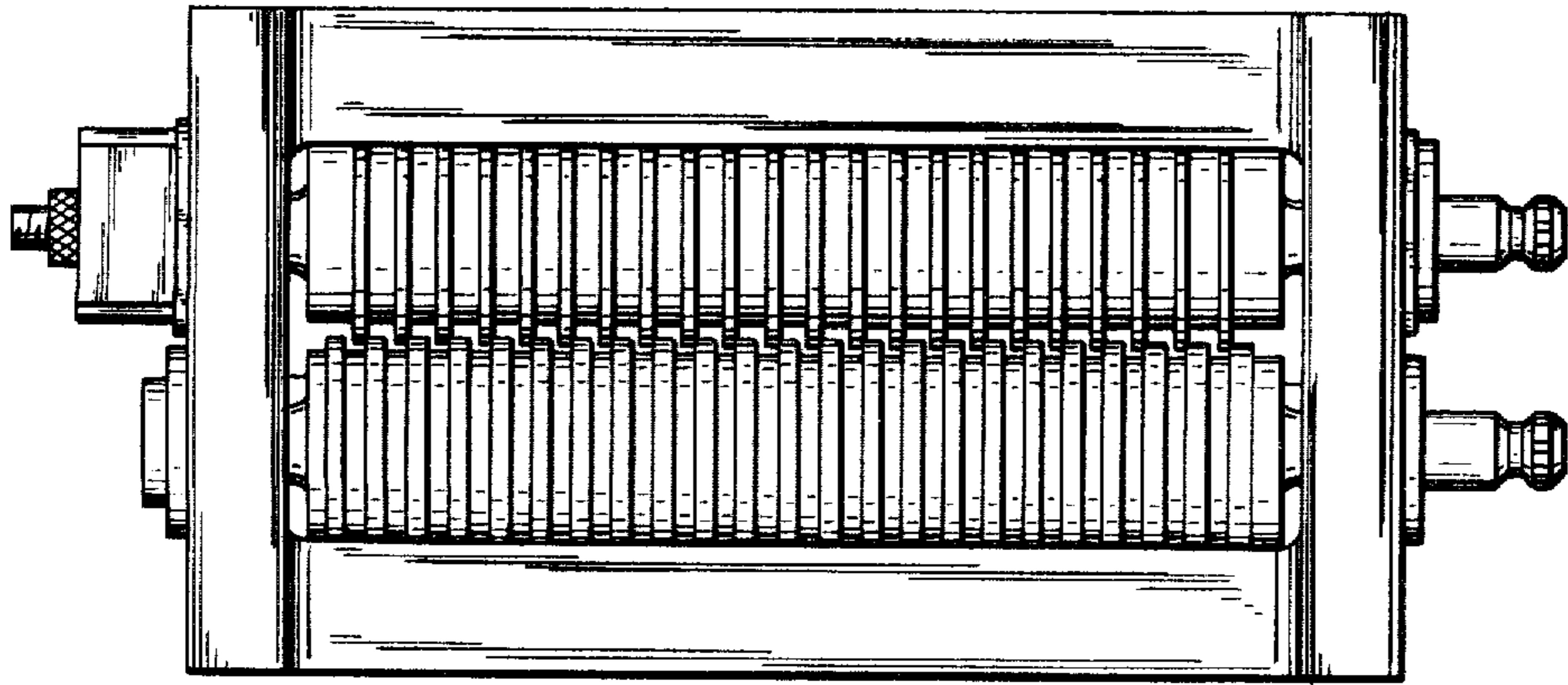


FIG. 5

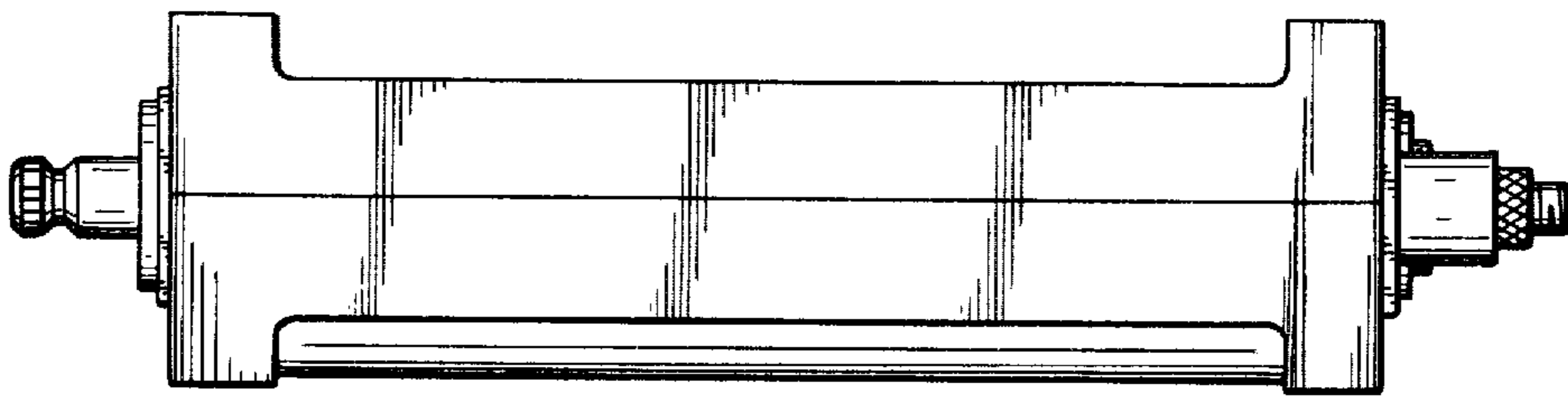


FIG. 6

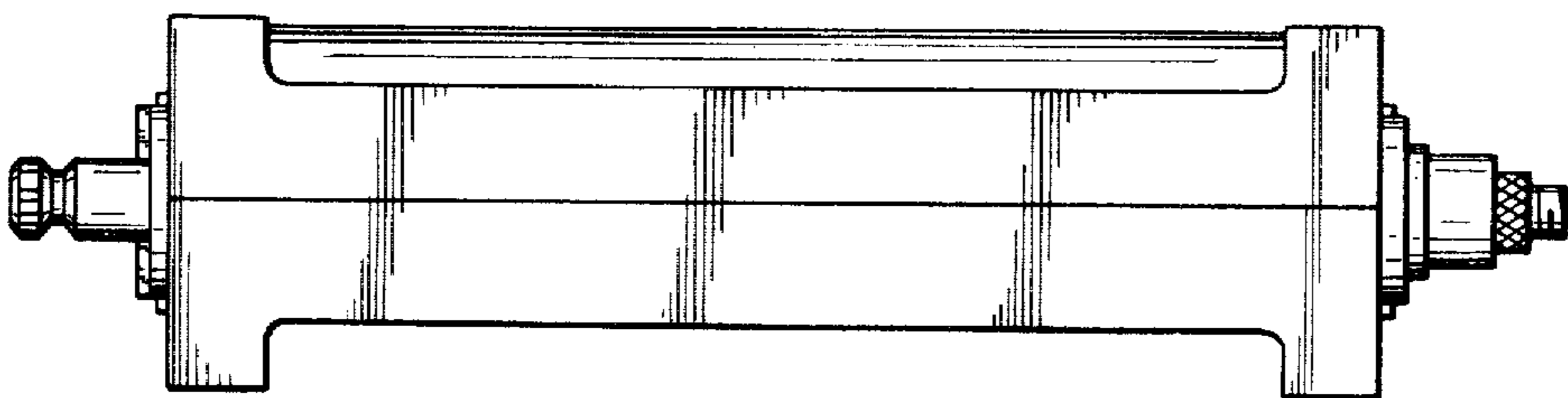


FIG. 7