

[54] TELEPHONE BASE STATION

[75] Inventors: John C. Coons; Jean M. Beirise, both of Cincinnati, Ohio

[73] Assignee: Masco Corporation of Indiana, Taylor, Mich.

[**] Term: 14 Years

[21] Appl. No.: 259,619

[22] Filed: May 1, 1981

[51] Int. Cl. D14-03

[52] U.S. Cl. D14/58; D14/53

[58] Field of Search D14/60, 53; 179/100 D, 179/100 R, 103, 178, 179, 146 R

[56] References Cited

U.S. PATENT DOCUMENTS

- D. 254,670 4/1980 Janda D14/60
- D. 259,421 6/1981 Janda D14/60

OTHER PUBLICATIONS

W. Bell & Co., © 1980, p. 237, Telephone Item D and Item-E, Rechargeable Adapter Transmitter.

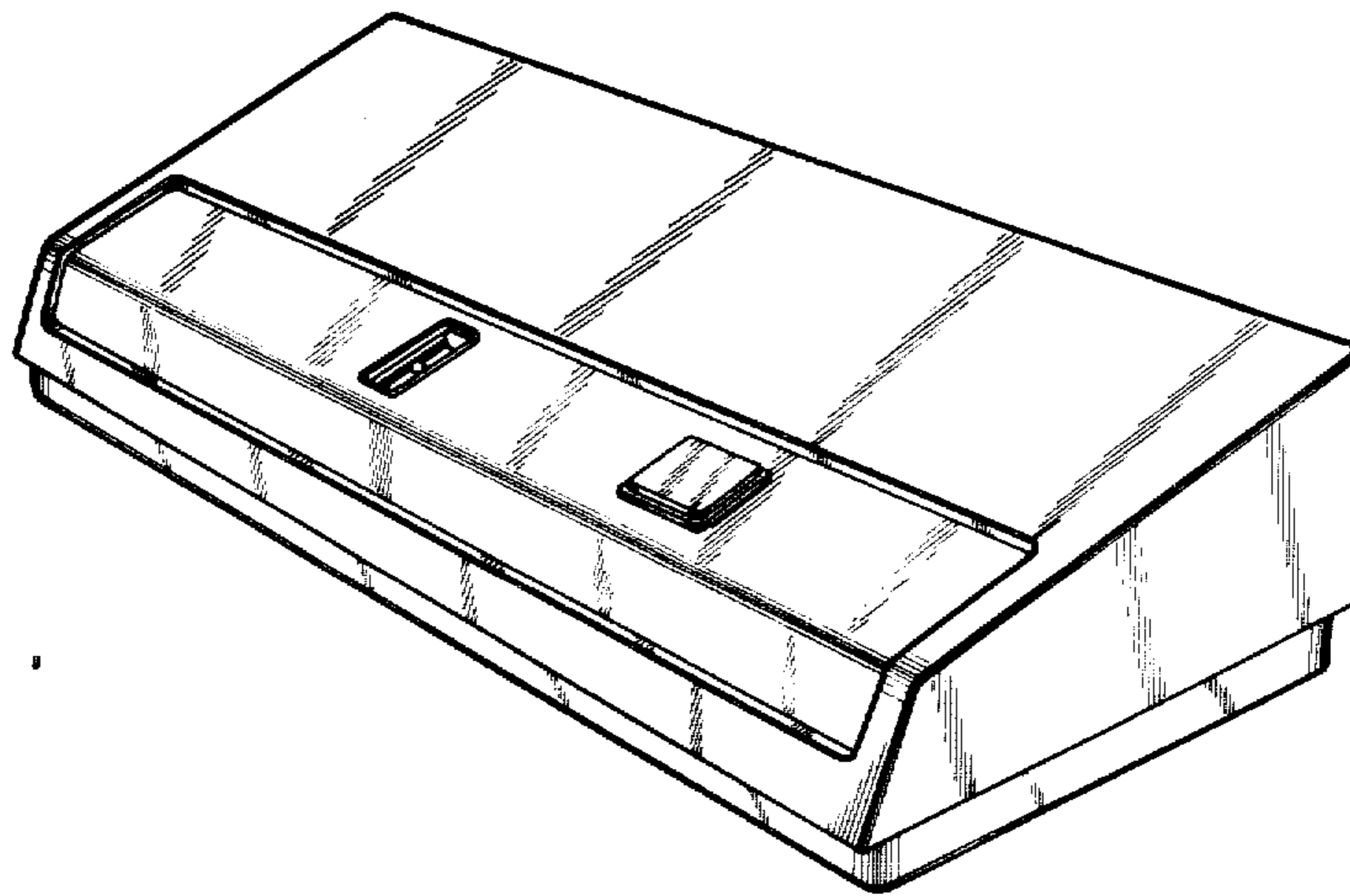
Primary Examiner—Bernard Ansher
Attorney, Agent, or Firm—Steven L. Permut; E. Dennis O'Connor; Leon E. Redman

[57] CLAIM

The ornamental design for a telephone base station, as shown and described.

DESCRIPTION

FIG. 1 is a top front perspective view of a telephone base station showing our new design;
 FIG. 2 is a top plan view thereof;
 FIG. 3 is a front elevation thereof;
 FIG. 4 is a bottom plan view thereof;
 FIG. 5 is a right side elevation thereof;
 FIG. 6 is a left side elevation thereof;
 FIG. 7 is a rear elevation thereof; and
 FIG. 8 is a fragmentary rear elevation with the antenna in a raised position.



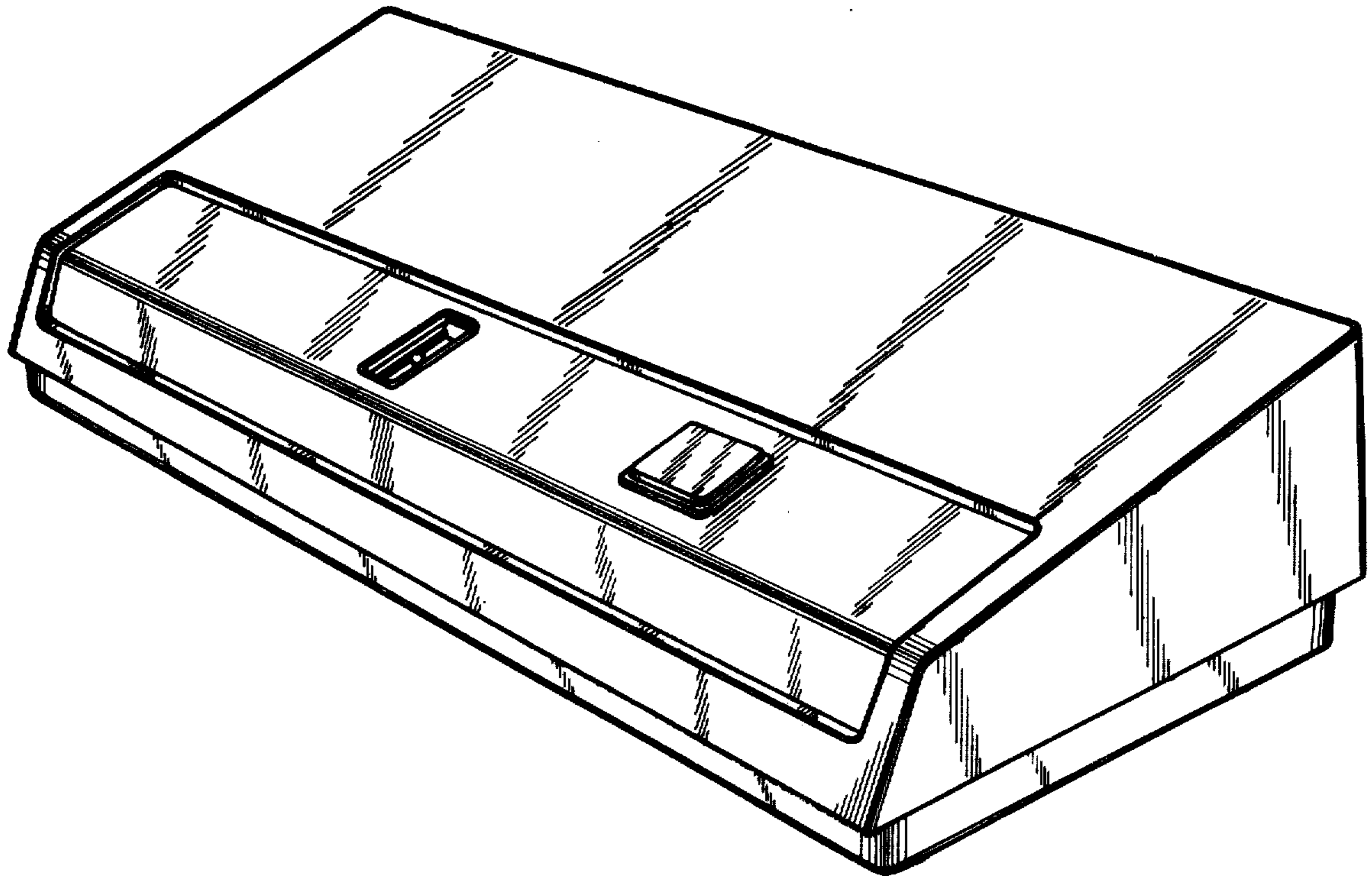


FIG. 1

FIG. 2

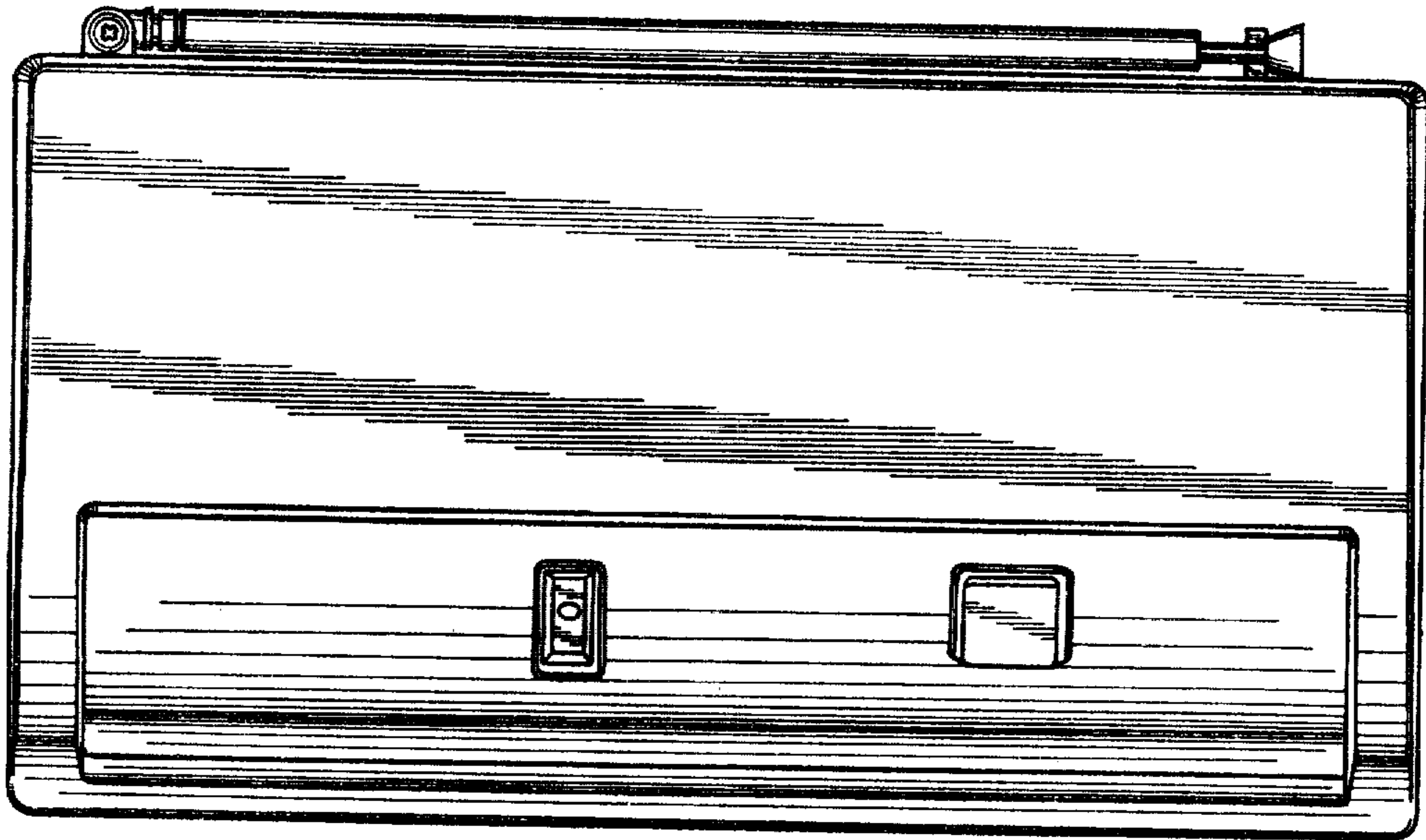


FIG. 3

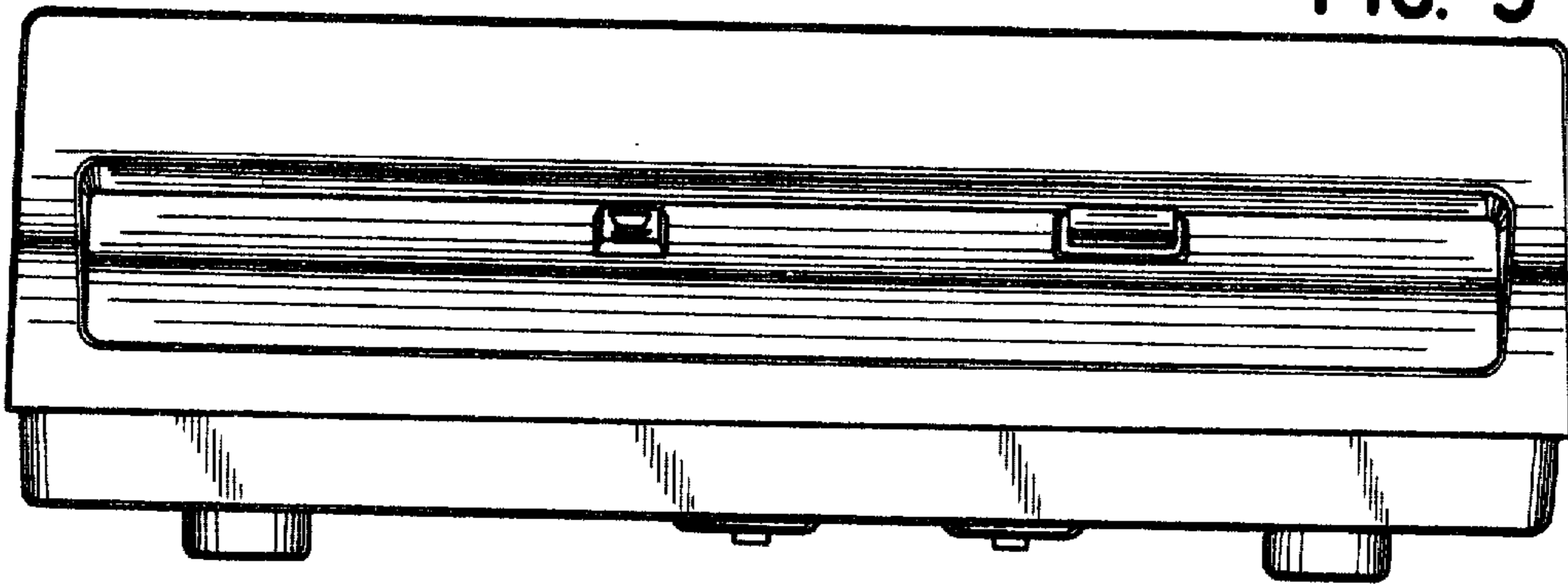


FIG. 4

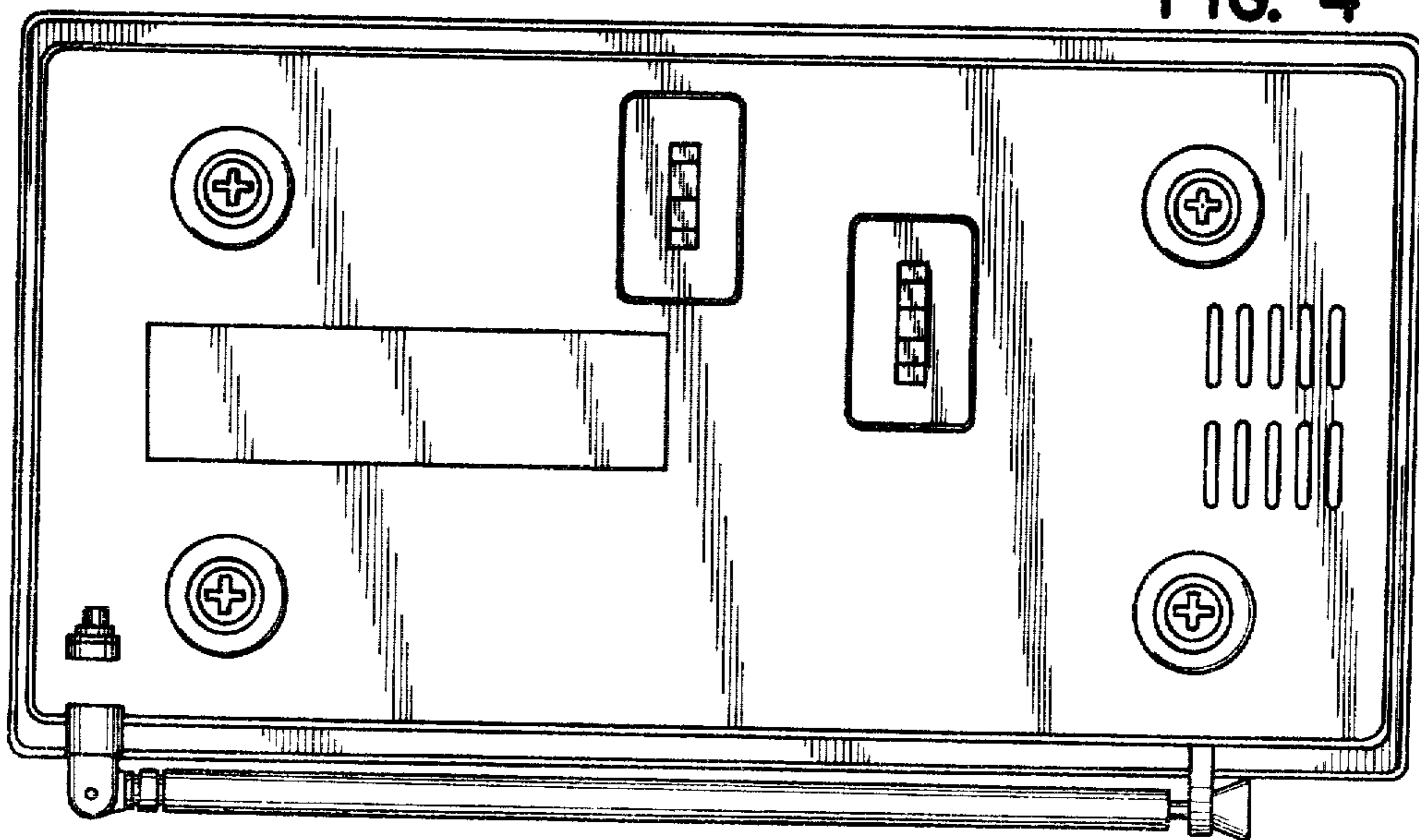


FIG. 5

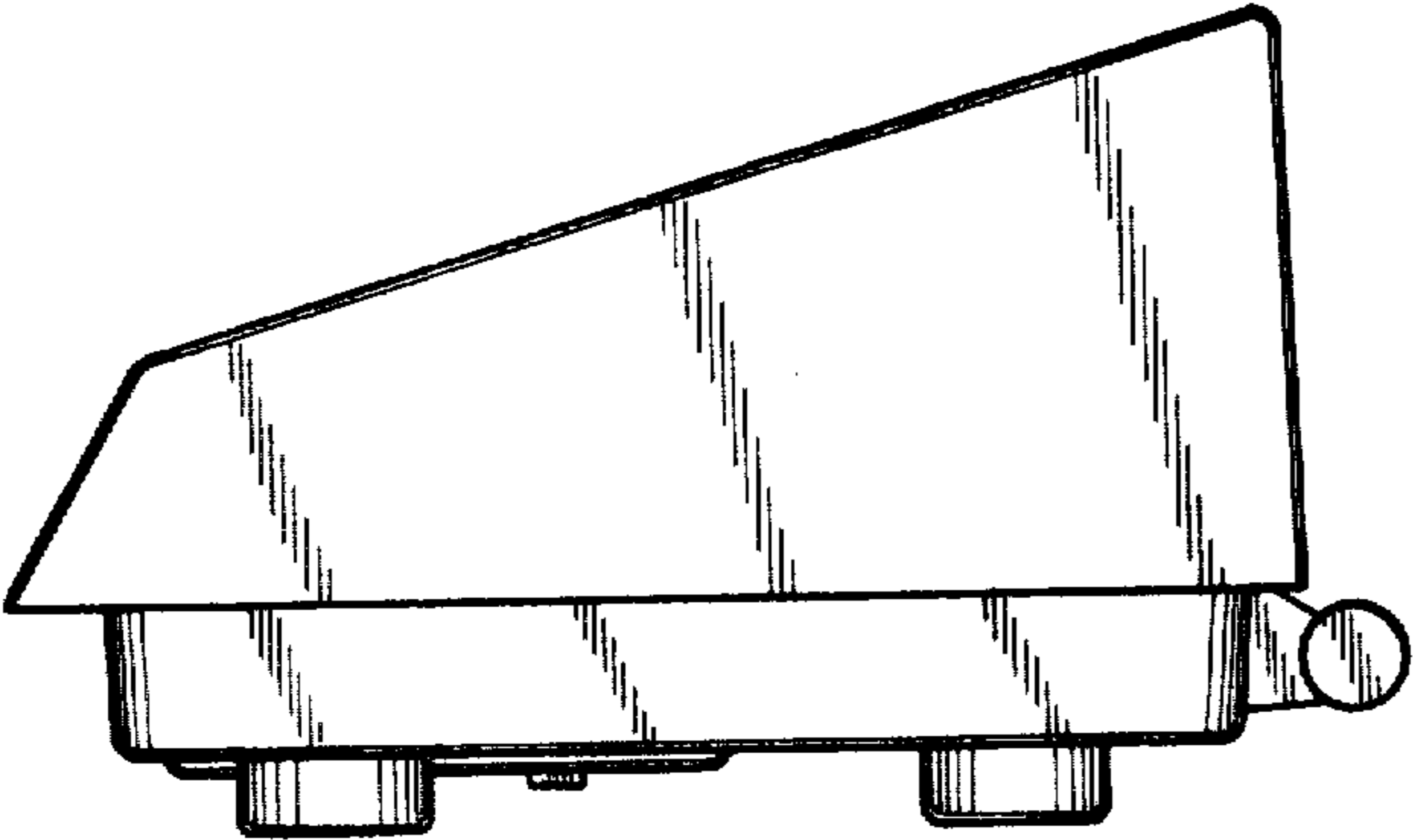
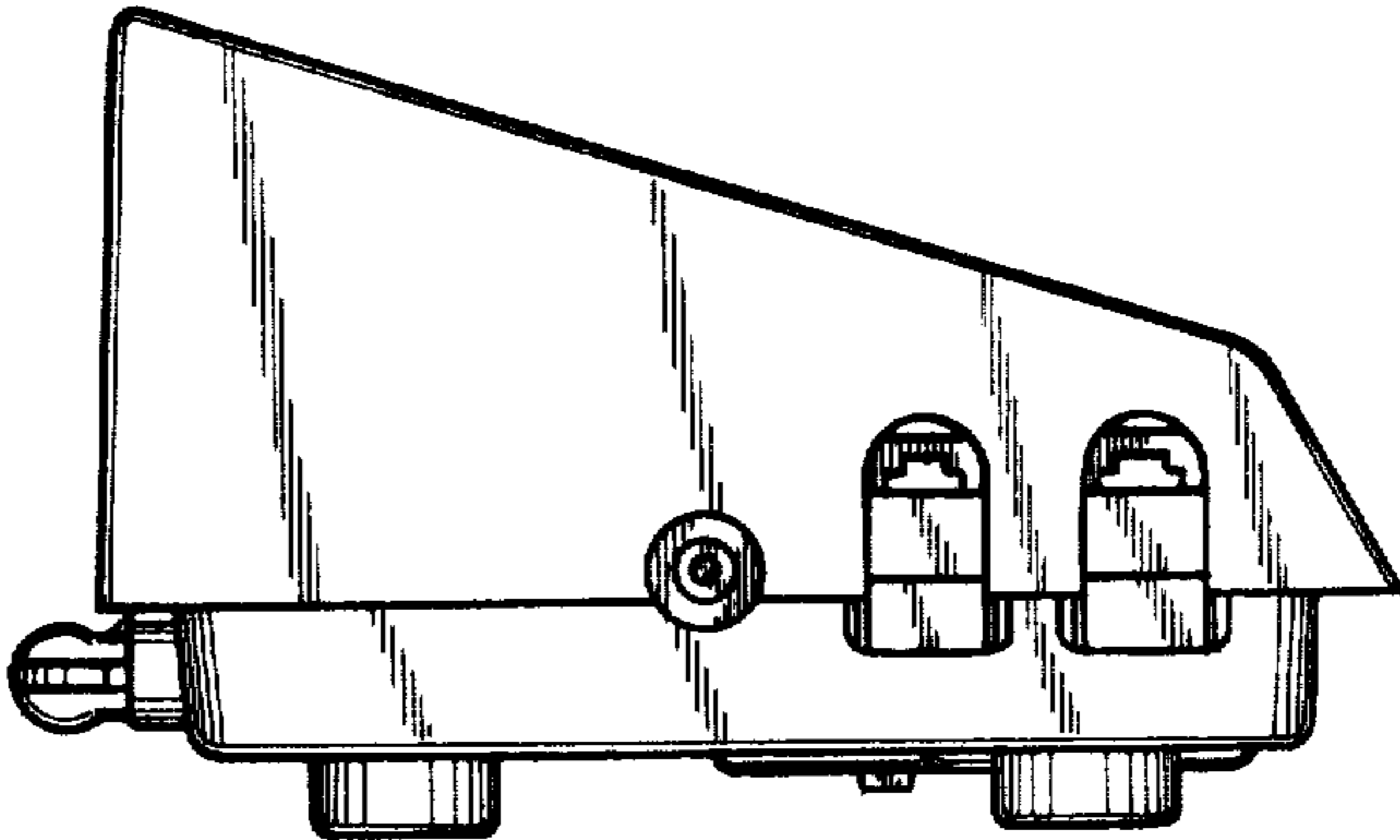


FIG. 6

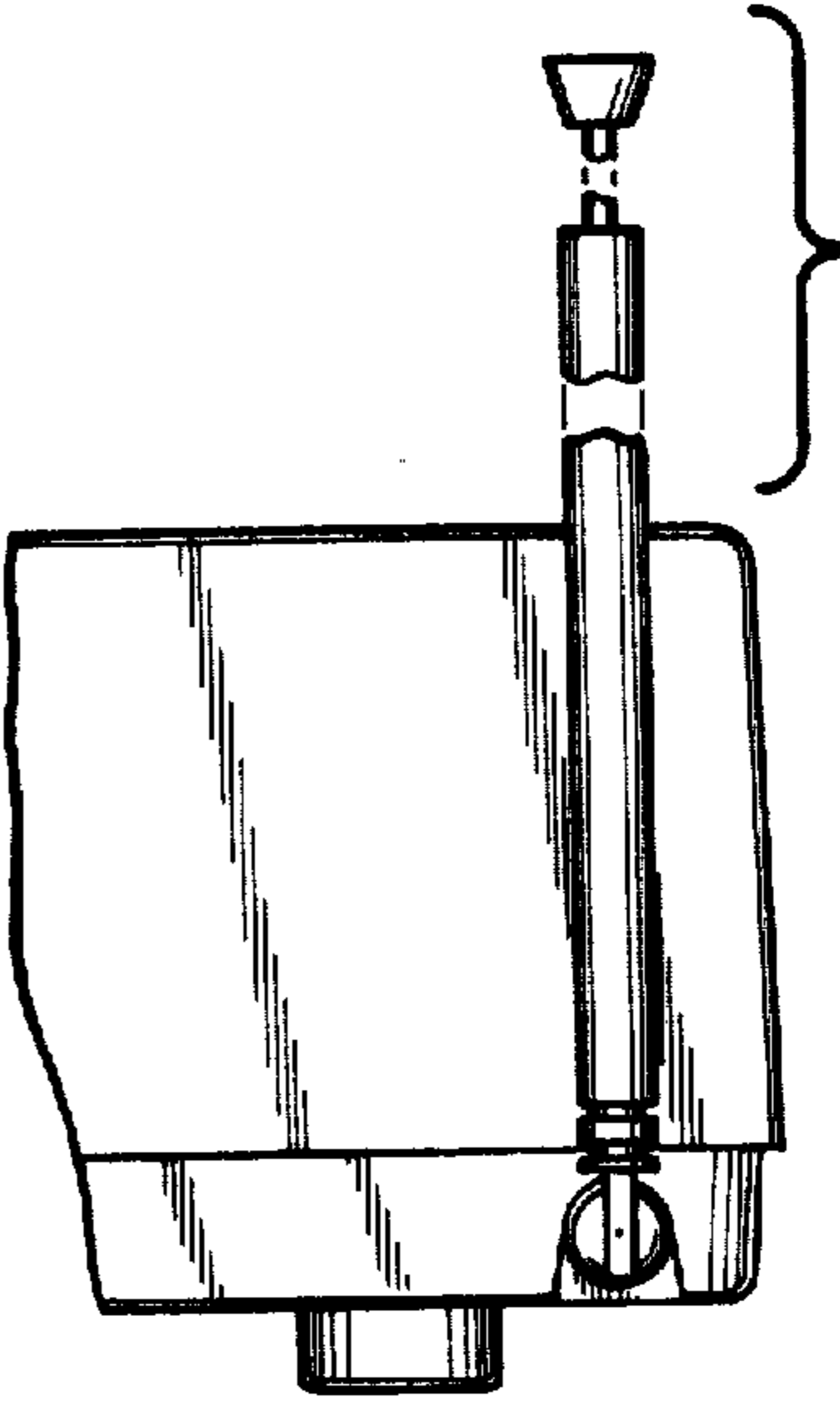


FIG. 8

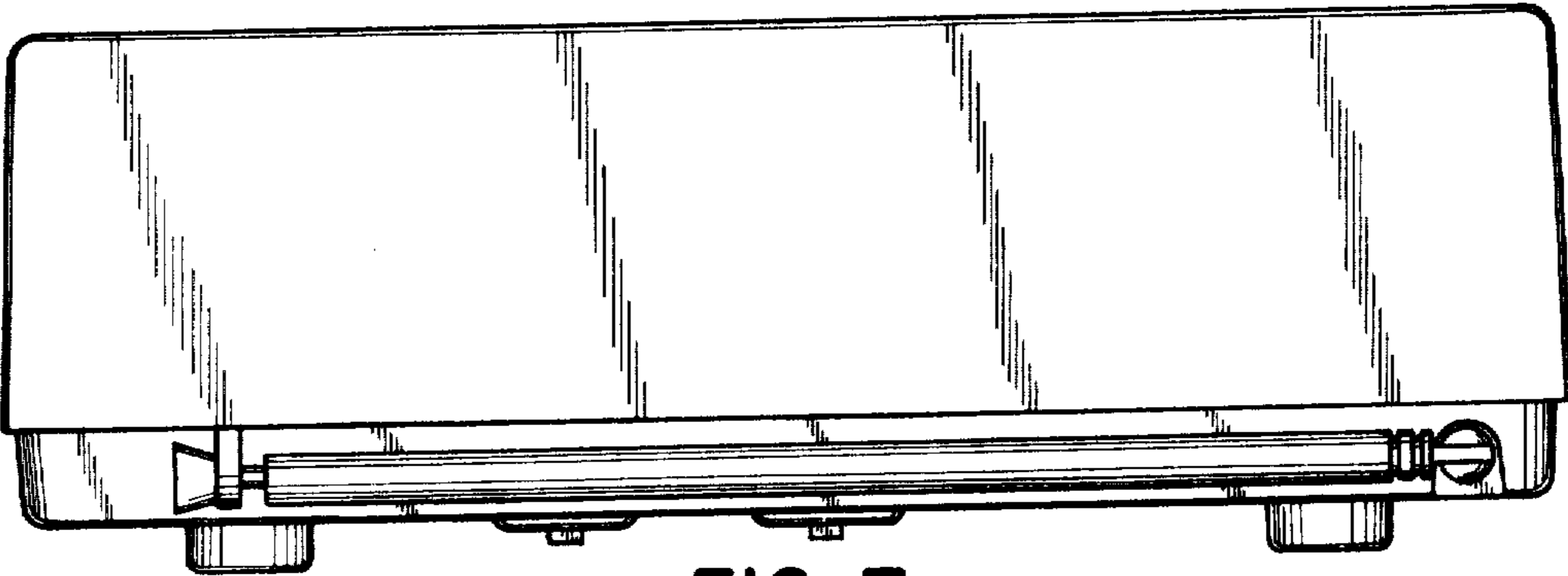


FIG. 7