

[54] SPOON

[76] Inventor: Fred S. Steiner, 154 Combs Ave., Woodmere, N.Y. 11598

[**] Term: 14 Years

[21] Appl. No.: 265,831

[22] Filed: May 21, 1981

[51] Int. Cl. D07-04; D07-03

[52] U.S. Cl. D7/104; D7/151

[58] Field of Search D7/99, 102, 104, 106, D7/103, 151, 132, 140, 152; D8/107

[56] References Cited

U.S. PATENT DOCUMENTS

- D. 156,503 12/1949 Grancell D7/102
- D. 194,402 1/1963 Schlessel D7/104 X
- D. 265,163 1/1982 Steiner D7/151 X

OTHER PUBLICATIONS

Design, May, 1979, p. 28, Robert Welch Designed Tools, top left panel, Spoon shown in middle.

Primary Examiner—Winifred E. Herrmann
Attorney, Agent, or Firm—Amster, Rothstein & Engelberg

[57] CLAIM

The ornamental design for a spoon, substantially as shown.

DESCRIPTION

FIG. 1 is a front elevational view of a spoon showing my new design;
FIG. 2 is a right side elevational view thereof;
FIG. 3 is a rear elevational view thereof;
FIG. 4 is a top plan view thereof; and
FIG. 5 is a bottom plan view thereof.

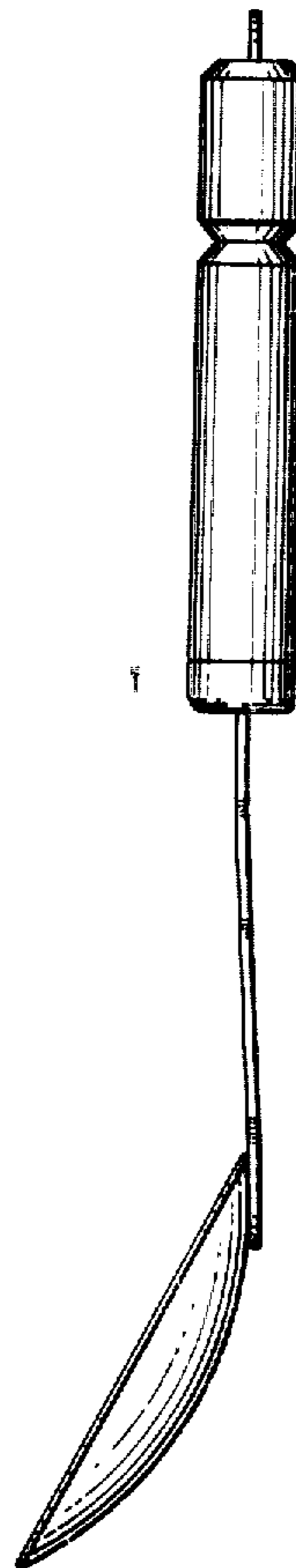
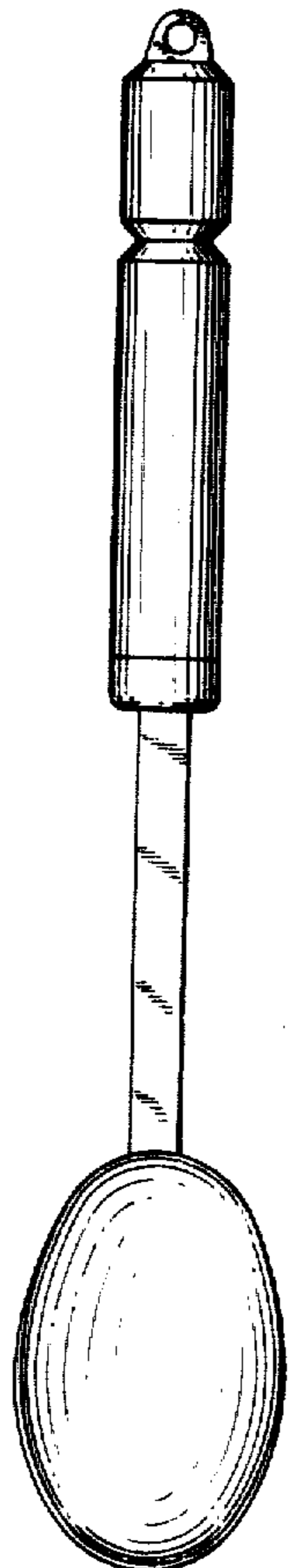


FIG. 1

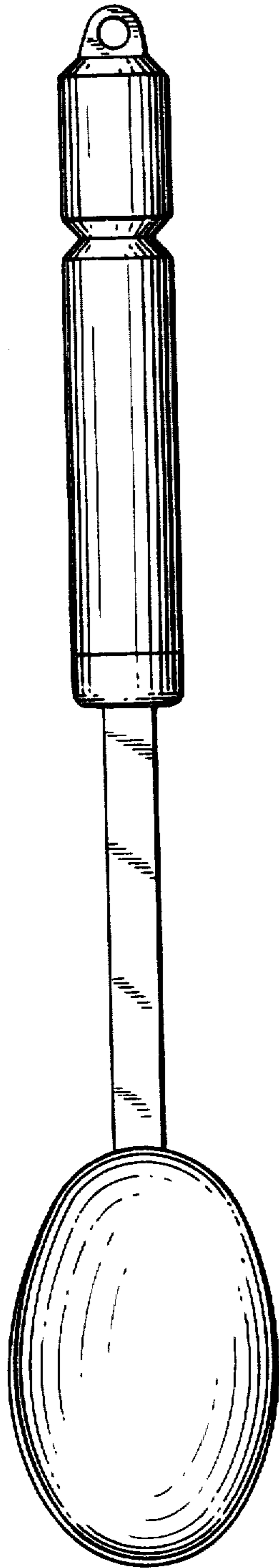


FIG. 2

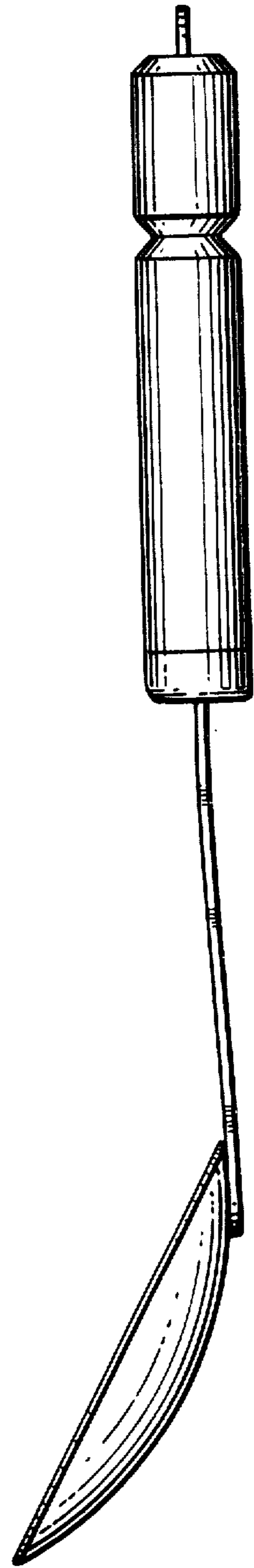


FIG. 3

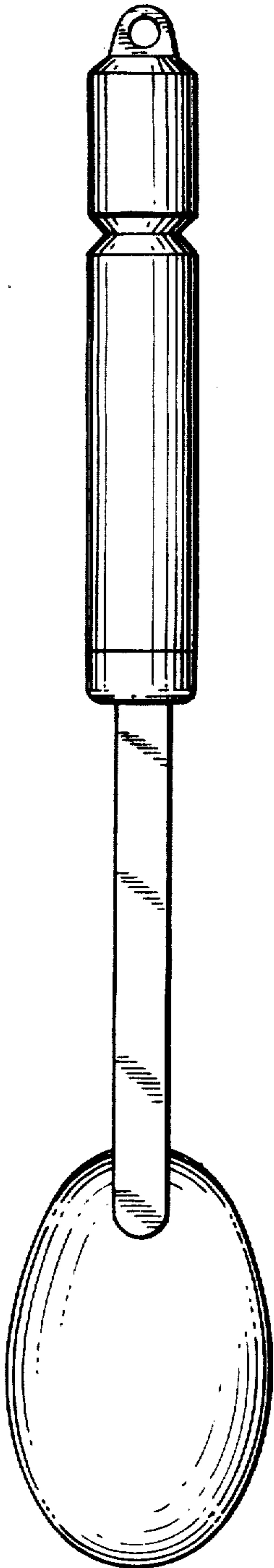


FIG. 4

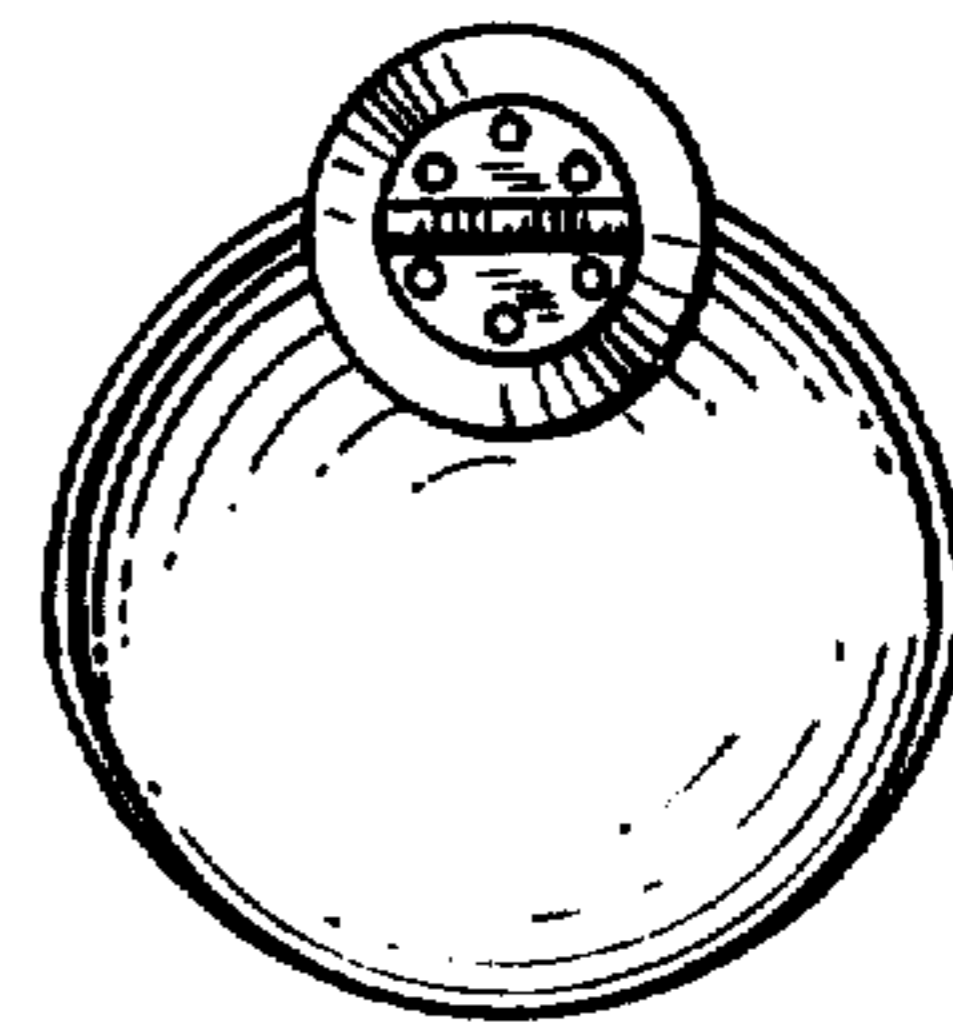


FIG. 5

