

[54] **HORS-D'OEUVRE DISH**
 [75] Inventor: **Ambrogio Pozzi**, Gallarate, Italy
 [73] Assignee: **F. LLI Guzzini S.p.A.**, Recanati, Italy
 [**] Term: **14 Years**
 [21] Appl. No.: **248,888**
 [22] Filed: **Mar. 30, 1981**

[30] **Foreign Application Priority Data**
 Sep. 29, 1980 [IT] Italy 22951 B/80[U]

[51] Int. Cl. **D07-01**
 [52] U.S. Cl. **D7/21; D7/3**
 [58] Field of Search **D7/21, 37, 38, 3, 1, D7/39, 20, 403, 2, 4**

[56] **References Cited**
U.S. PATENT DOCUMENTS
 D. 96,548 8/1935 Heller et al. D7/27
 D. 106,232 9/1937 Gerth D7/21
 D. 120,991 6/1940 Koch D7/354 X

D. 167,206 7/1952 Gruen D7/37

FOREIGN PATENT DOCUMENTS

26591 of 1907 United Kingdom D7/21

Primary Examiner—Winifred E. Herrmann
Attorney, Agent, or Firm—Cushman, Darby & Cushman

[57] **CLAIM**

The ornamental design for an hors-d'oeuvre dish, as shown.

DESCRIPTION

FIG. 1 is a front or rear elevational view of an hors-d'oeuvre dish showing my new design;
 FIG. 2 is a left or right side elevational view thereof;
 FIG. 3 is a top plan view thereof;
 FIG. 4 is a bottom plan view thereof;
 FIG. 5 is an exploded elevational view, similar to FIG. 1;
 FIG. 6 is a sectional view taken on the line 6-6 of FIG. 3; and
 FIG. 7 is a sectional view taken on the line 7-7 of FIG. 3.

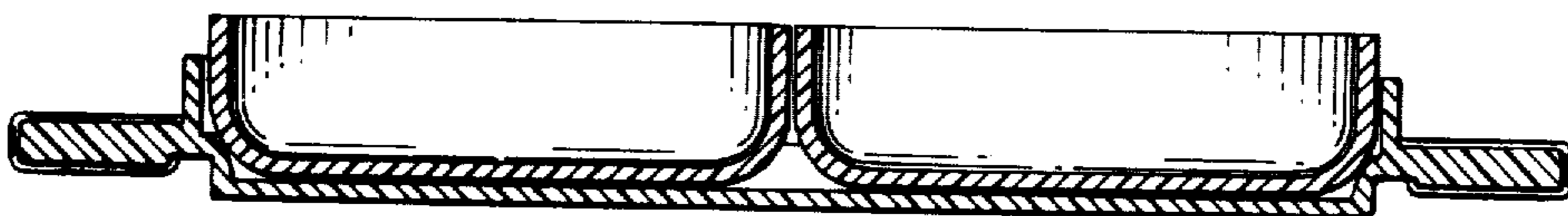
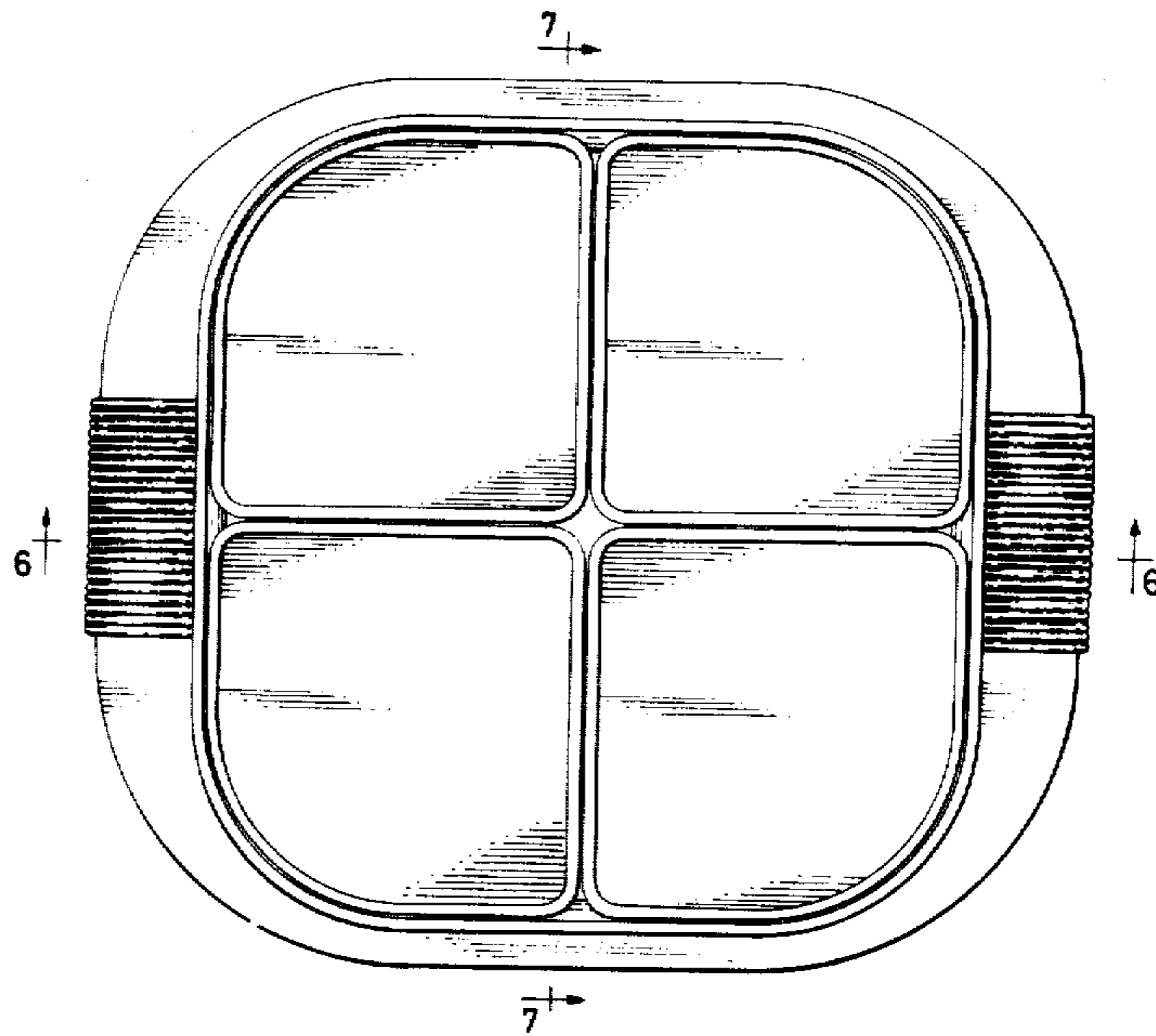
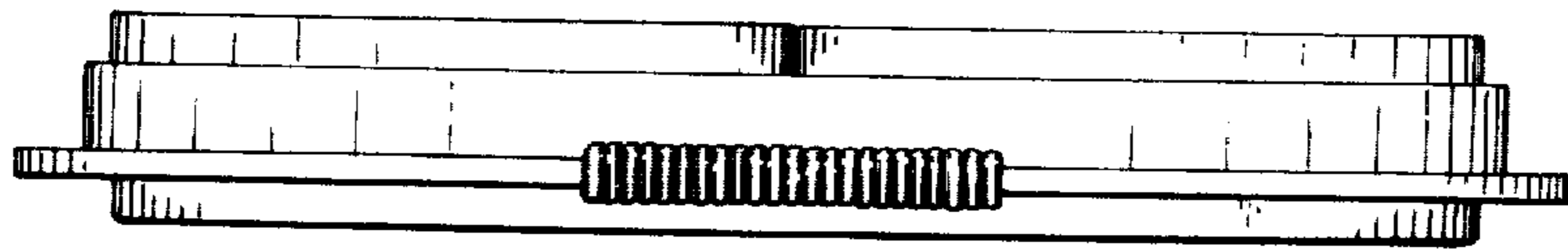


Fig.1

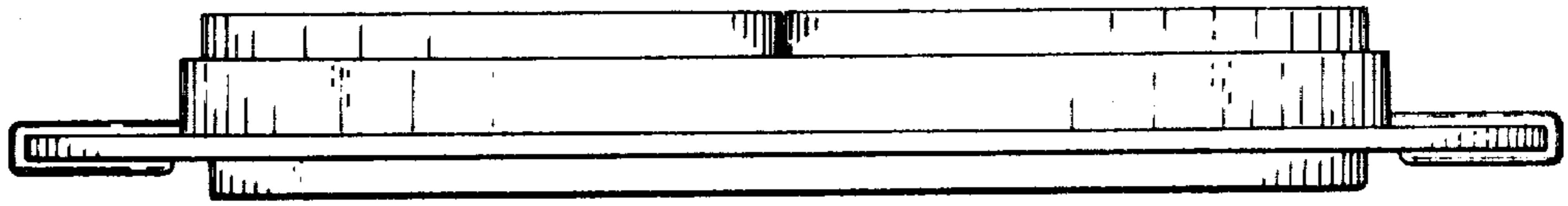


Fig.2

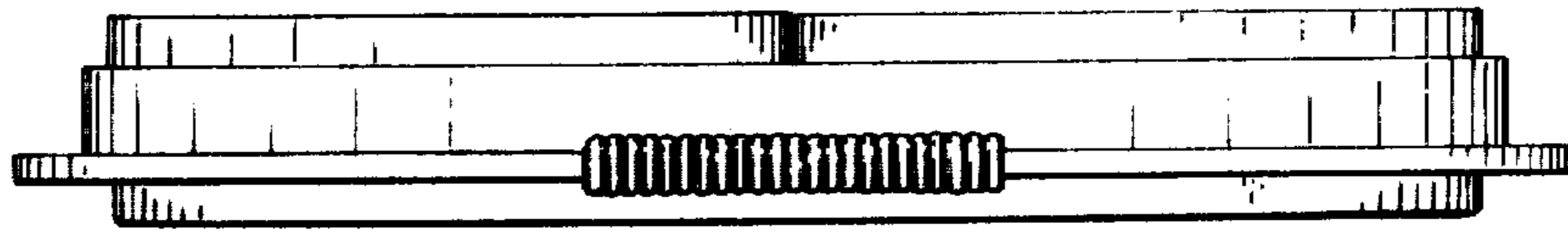
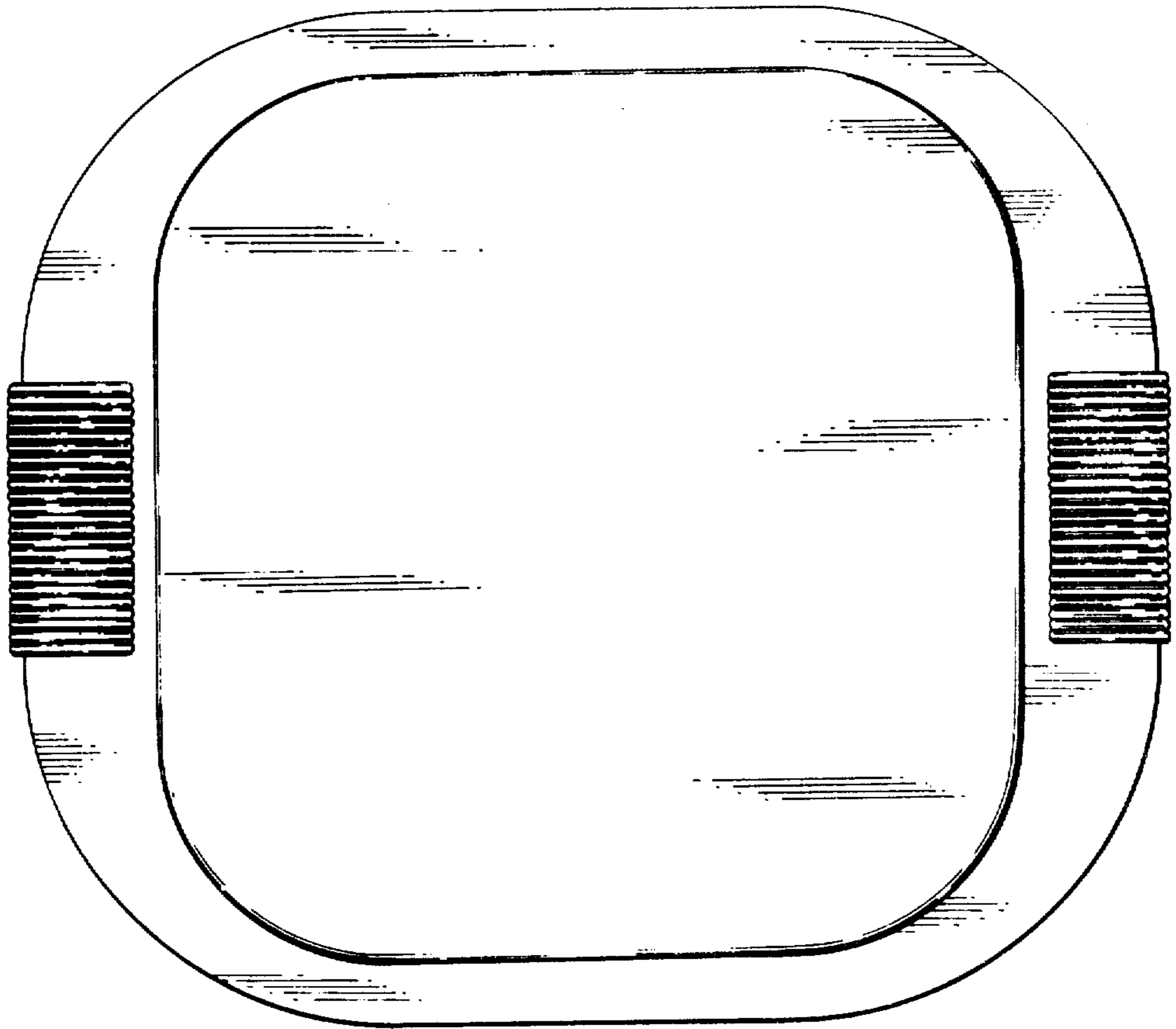


Fig.4



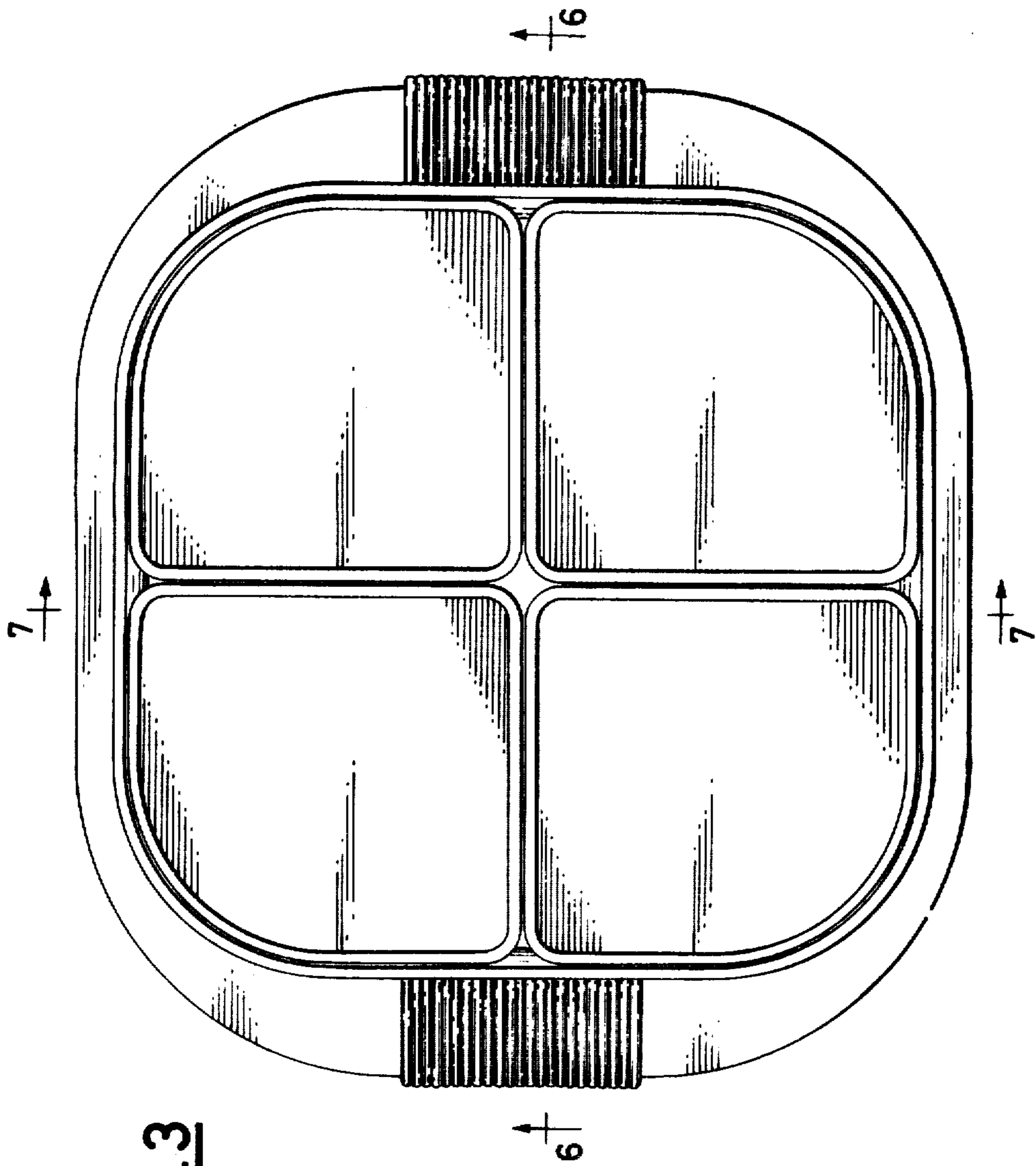


Fig. 3

Fig. 5

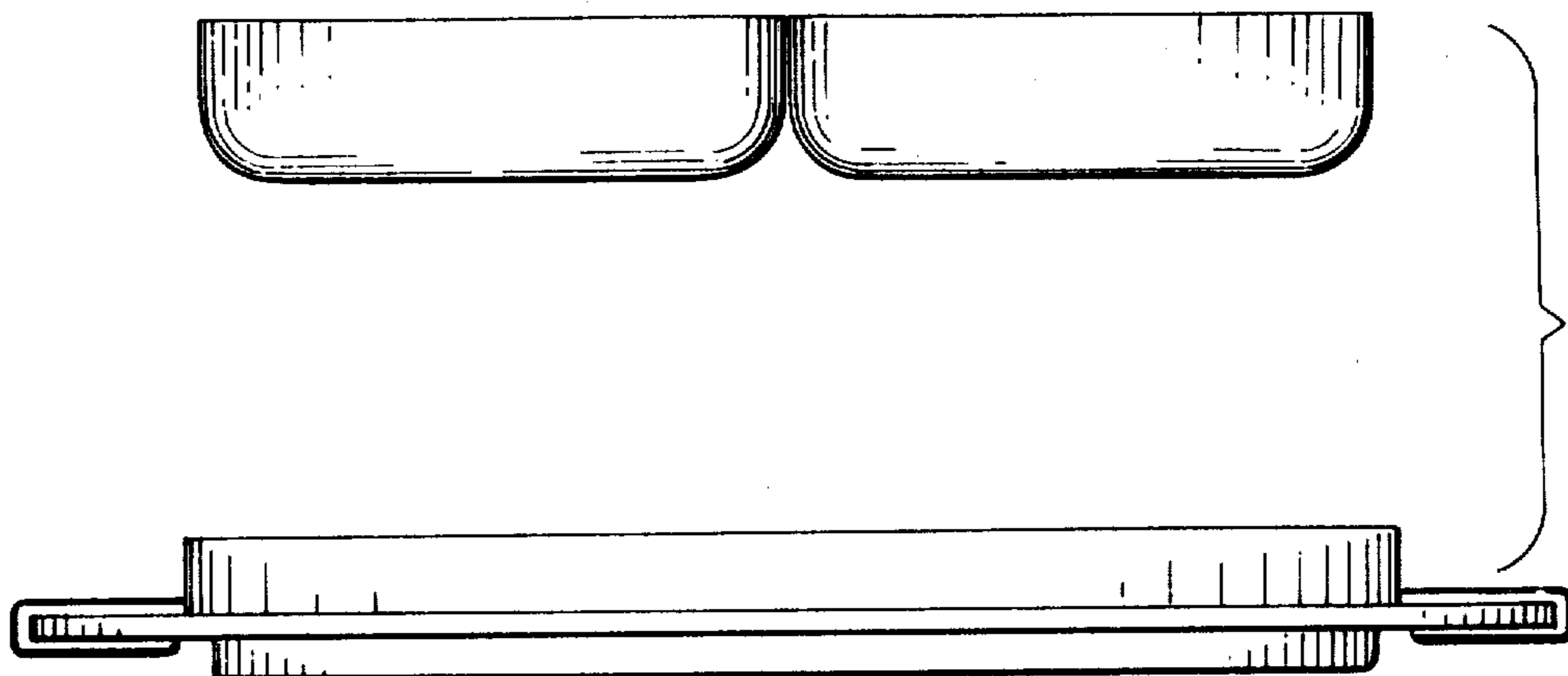


Fig. 6

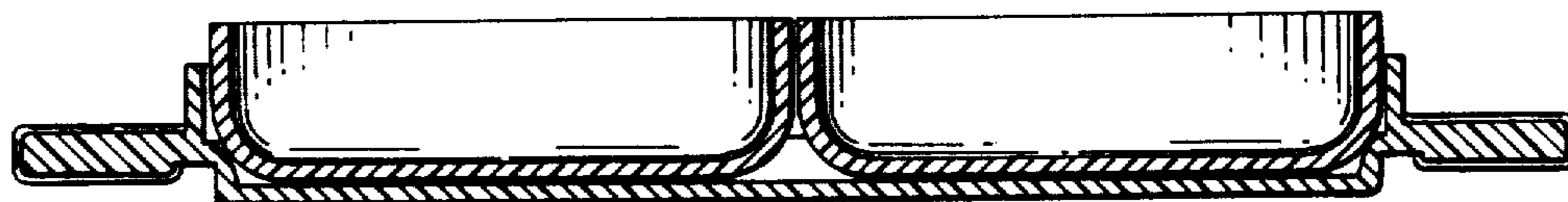


Fig. 7

