

[54] DOOR MAT BASE PLATE OR SIMILAR ARTICLE

[75] Inventors: Yosuke Yamamoto; Takehisa Kinoyama; Kinichi Sasagawa, all of Osaka, Japan

[73] Assignee: Duskin Franchise Kabushiki Kaisha (Duskin Franchise Co., Ltd.), Tokyo, Japan

[**] Term: 14 Years

[21] Appl. No.: 147,718

[22] Filed: May 8, 1980

[30] Foreign Application Priority Data

Dec. 11, 1979 [JP] Japan 54-51723

[51] Int. Cl. D6-11

[52] U.S. Cl. D6/209; D6/213

[58] Field of Search D6/209, 218, 213, 219, D6/222, 224, 225, 232, 234, 238, 242, 245, 246; D7/37; D21/16; D25/79; 248/346; D20/10, 39-43; 15/215

[56] References Cited

U.S. PATENT DOCUMENTS

D. 28,807 6/1898 Gillbee D6/245

D. 142,885 11/1945 McCrory D6/238
D. 221,400 8/1971 O'Donnell D6/209
D. 222,101 9/1971 Bagne D6/209
3,700,201 10/1972 O'Donnell D6/209

OTHER PUBLICATIONS

Sweet's Catalog File, ©'77, vol. 12, sec. 12.17/Pa, p. 5, top right-most illustration.

Primary Examiner—Jane E. Corrigan
Attorney, Agent, or Firm—Cushman, Darby & Cushman

[57] CLAIM

The ornamental design for a door mat base plate or similar article, as shown and described.

DESCRIPTION

FIG. 1 is a top plan view of a door mat base plate or similar article showing our new design;
FIG. 2 is a front elevational view thereof;
FIG. 3 is a bottom plan view thereof;
FIG. 4 is a left side elevational view thereof;
FIG. 5 is a rear elevational view thereof;
FIG. 6 is a larger scale fragmentary sectional view thereof, taken along line 6—6 in FIG. 1;
FIG. 7 is a fragmentary sectional view thereof, on the same scale as FIG. 6, taken along line 7—7 in FIG. 1; and
FIG. 8 is a fragmentary sectional view thereof, on the same scale as FIG. 6, taken along line 8—8 in FIG. 1.

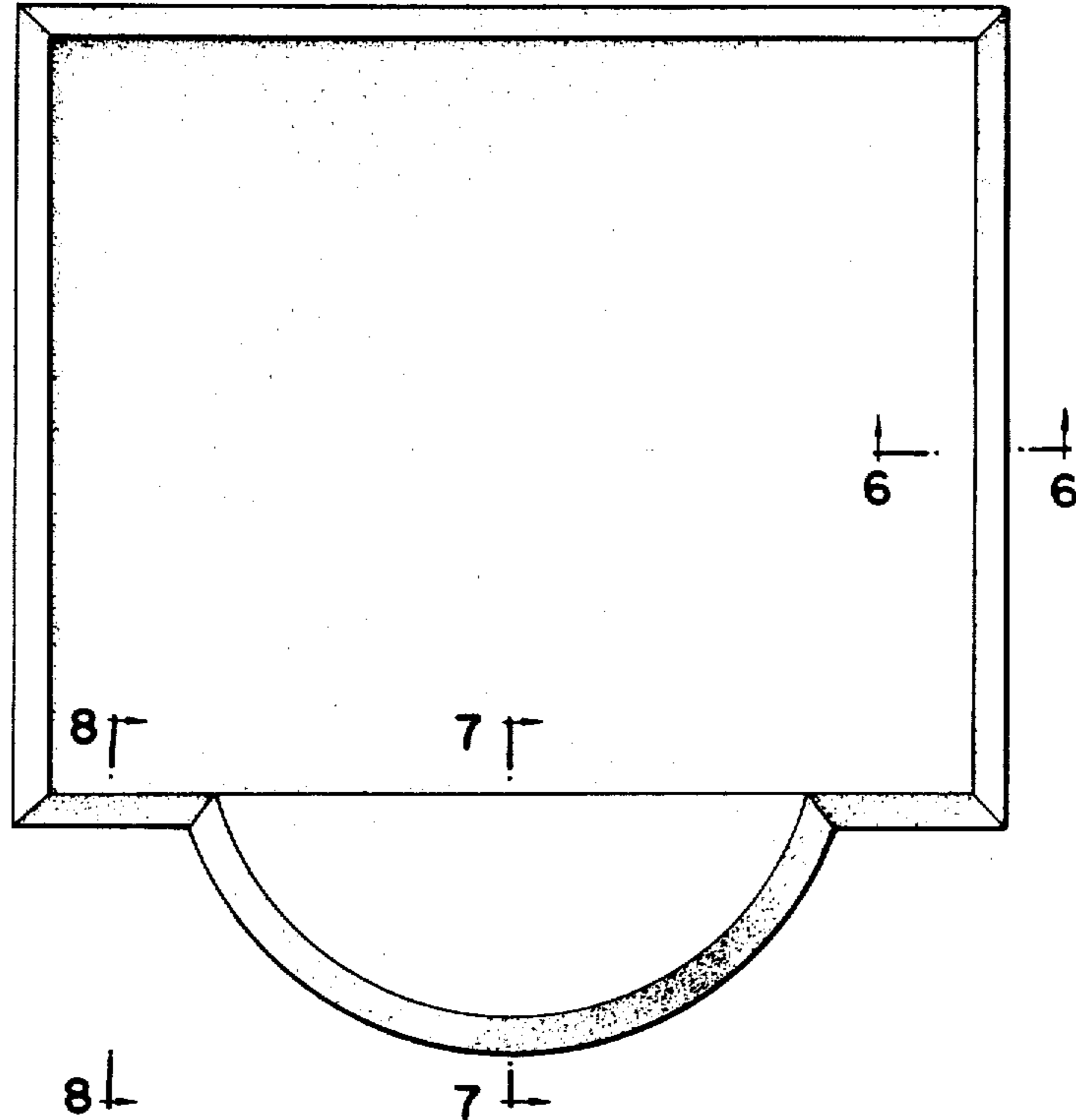


FIG. 1

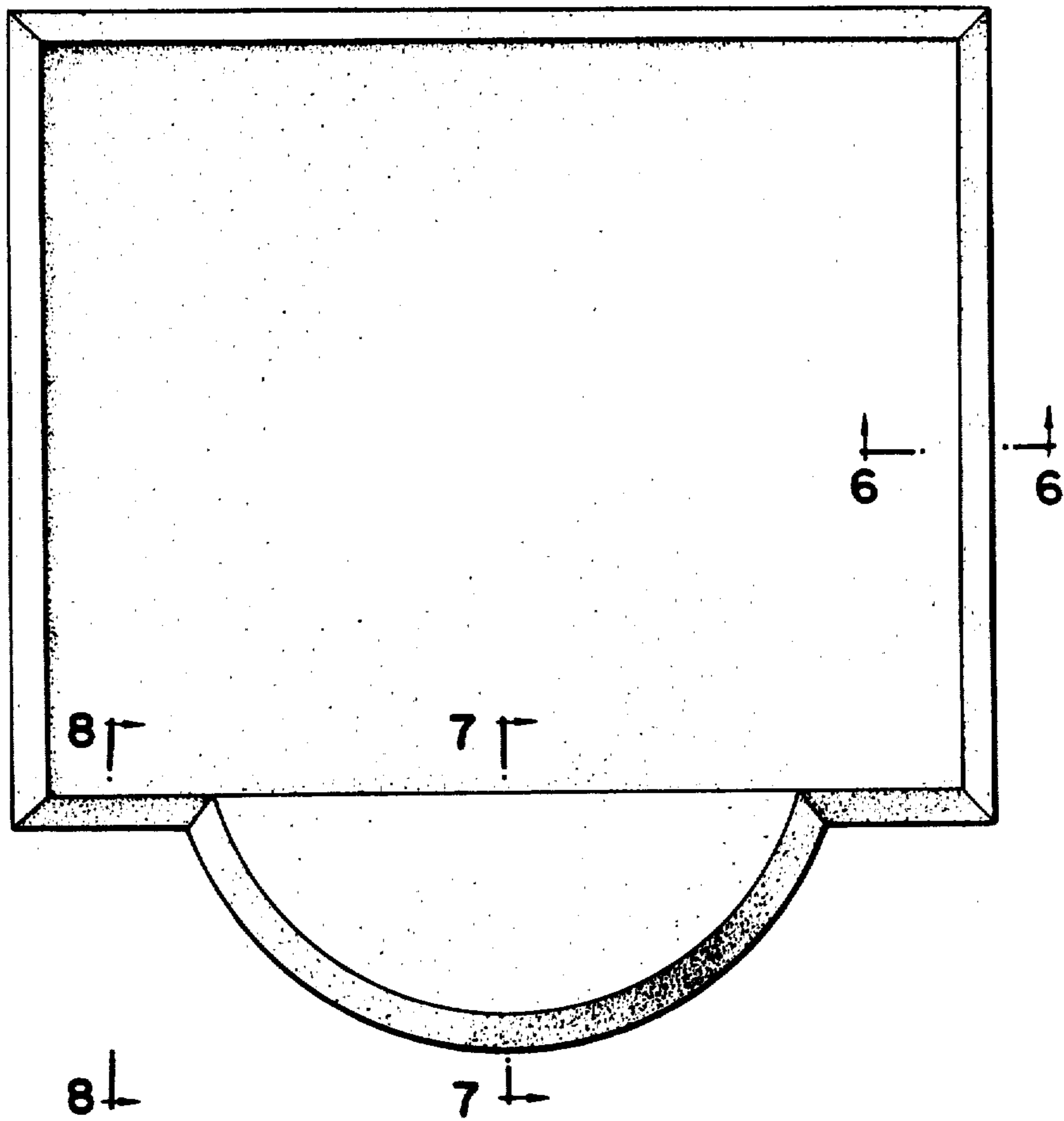


FIG. 2



FIG. 4

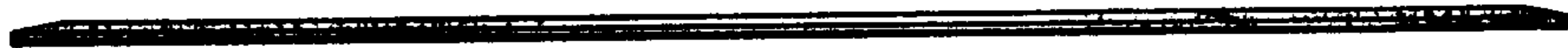


FIG. 3

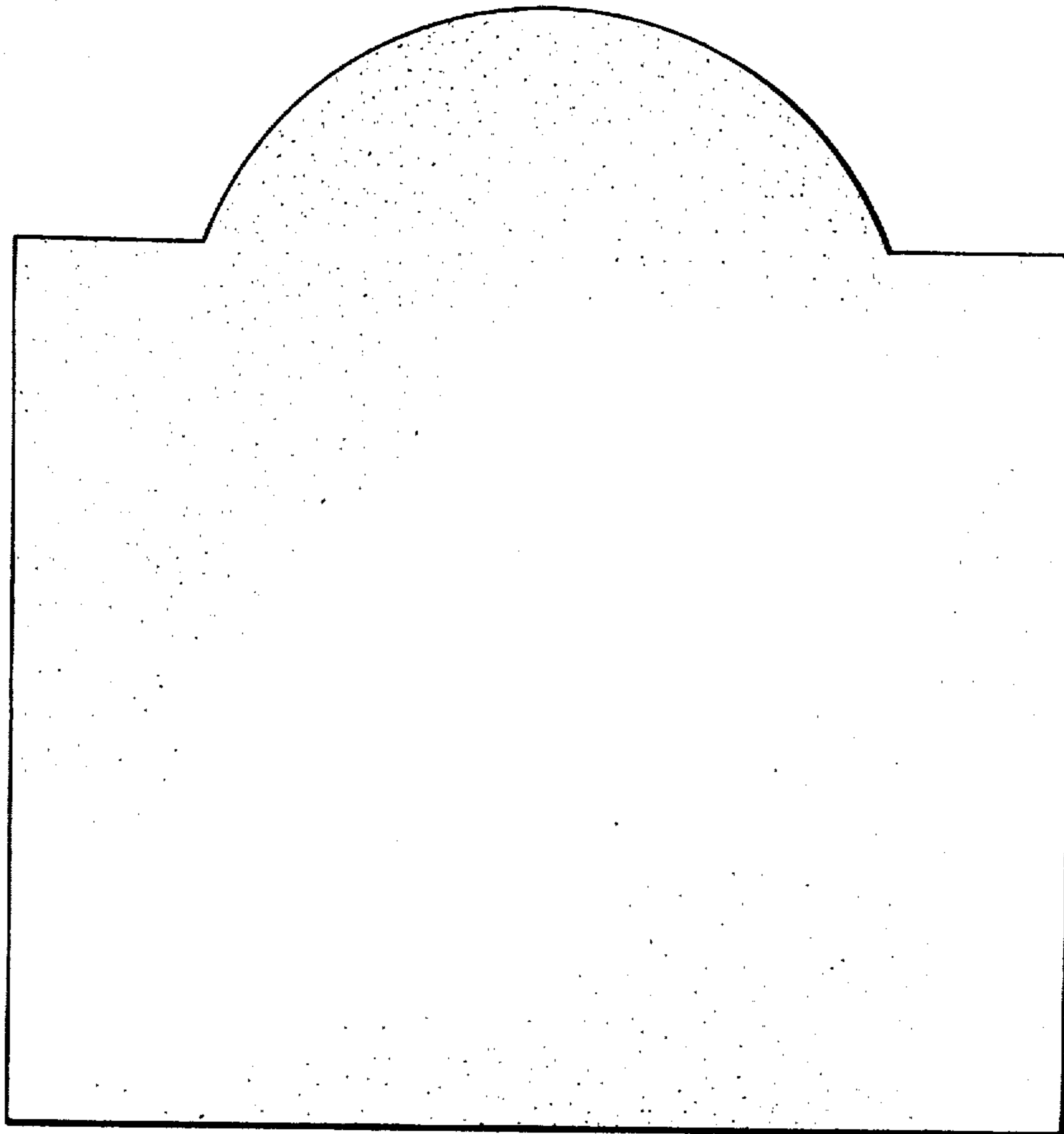


FIG. 5



FIG. 6



FIG. 7

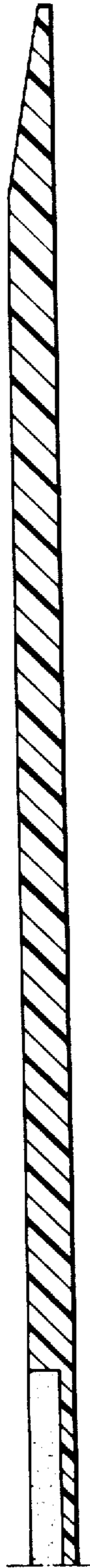


FIG. 8

