

[54] **MOBILE MATERIAL DELIVERY CART**

[75] Inventor: **Sam D. McMullen, Houston, Tex.**

[73] Assignee: **Matcote Company, Inc., Houston, Tex.**

[\*\*] Term: **14 Years**

[21] Appl. No.: **302,136**

[22] Filed: **Sep. 14, 1981**

[51] Int. Cl. .... **D12-02**

[52] U.S. Cl. .... **D34/17**

[58] Field of Search ..... **D34/12, 17, 21;**  
**280/47.34, 47.35**

[56]

**References Cited**

**U.S. PATENT DOCUMENTS**

D. 160,606 10/1950 Johnsen ..... D34/21  
D. 163,604 6/1951 Hoey ..... D34/21

*Primary Examiner*—James M. Gandy  
*Attorney, Agent, or Firm*—Pravel, Gambrell, Hewitt,  
Kirk & Kimball

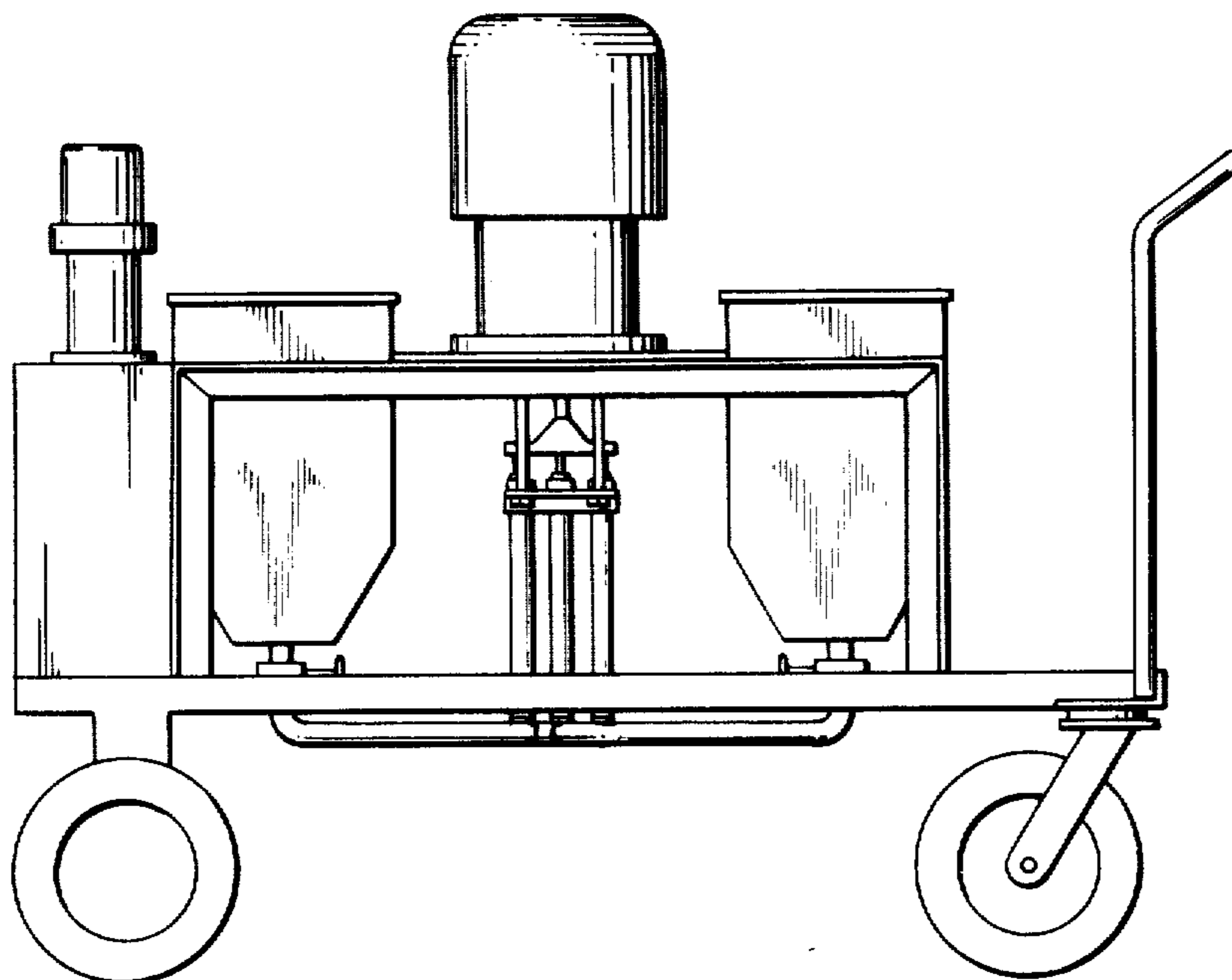
[57]

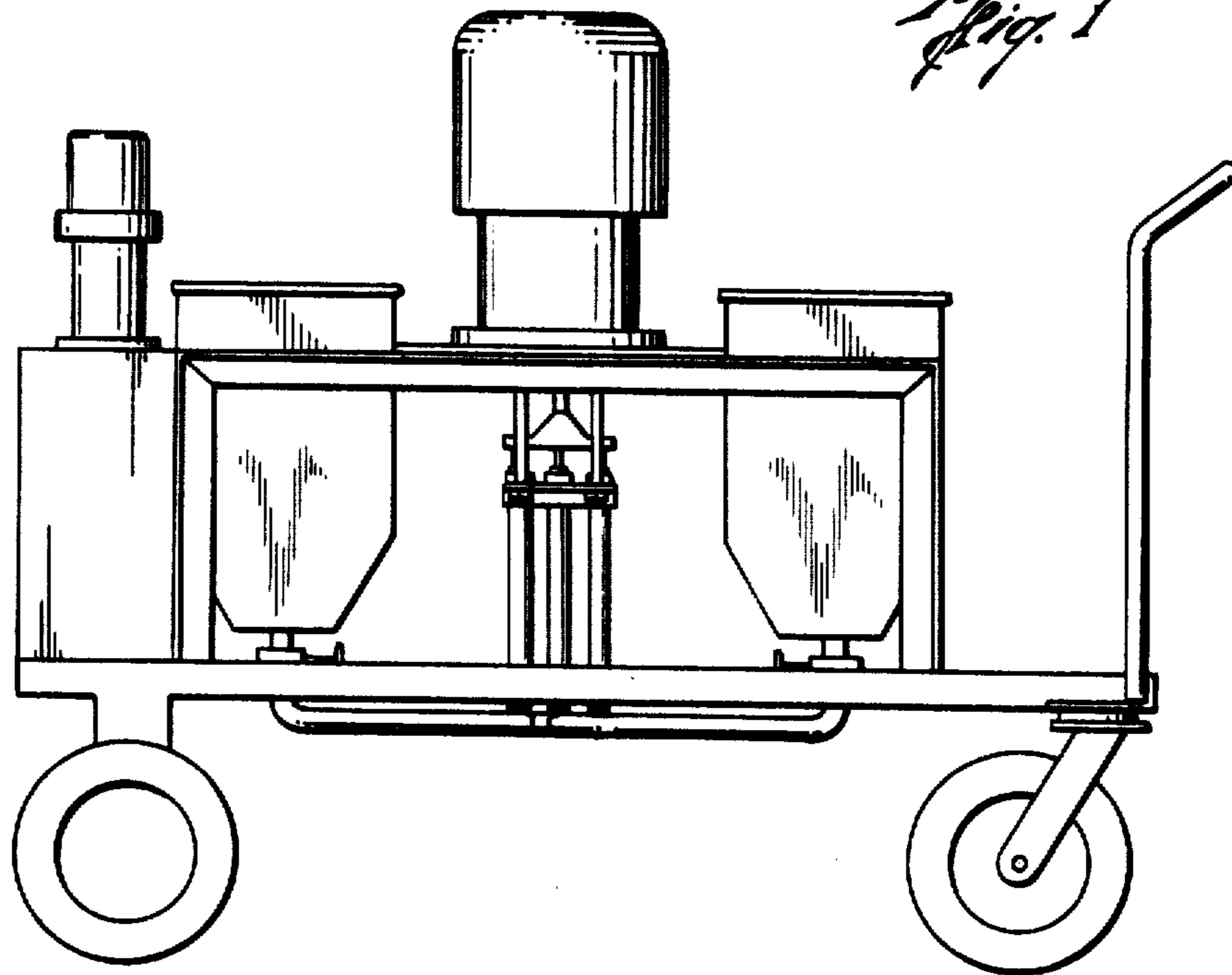
**CLAIM**

The ornamental design for a mobile material delivery cart, as shown.

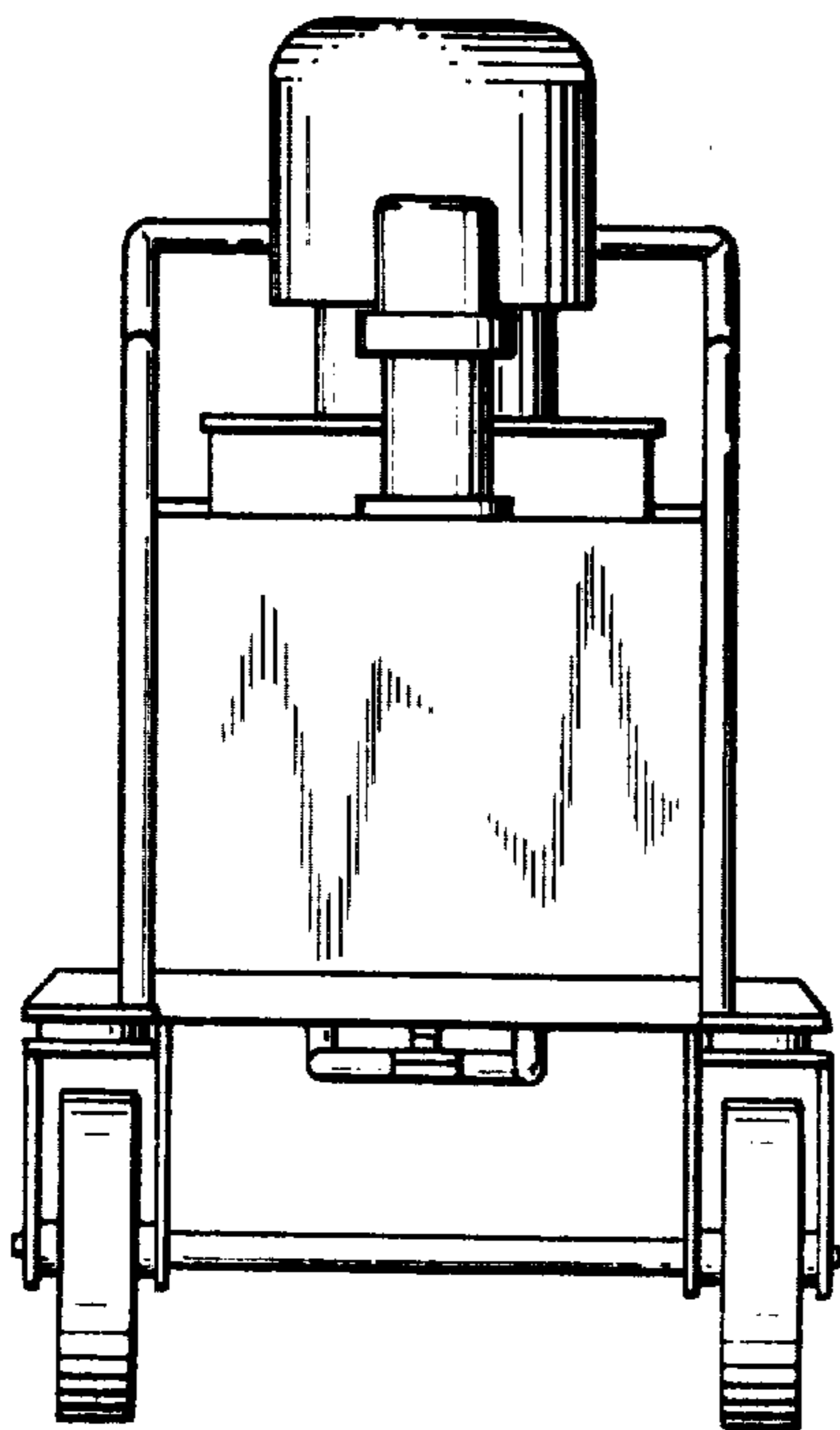
**DESCRIPTION**

FIG. 1 is a side elevational view of a mobile material delivery cart showing my new design, the opposite side being substantially a mirror image thereof; FIG. 2 is a front elevational view thereof; FIG. 3 is a rear elevational view thereof; FIG. 4 is a top plan view thereof; and FIG. 5 is a bottom plan view thereof.

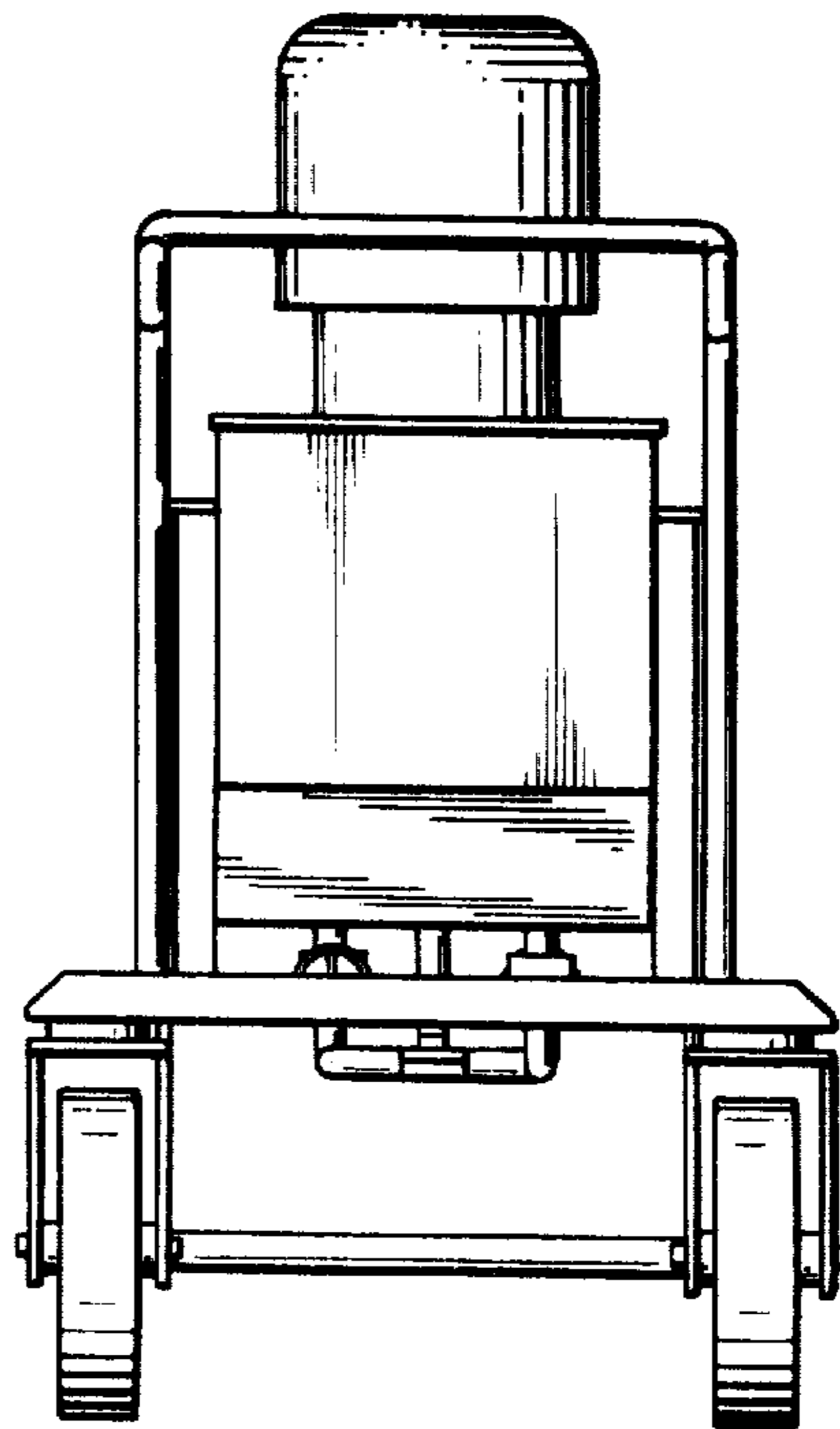


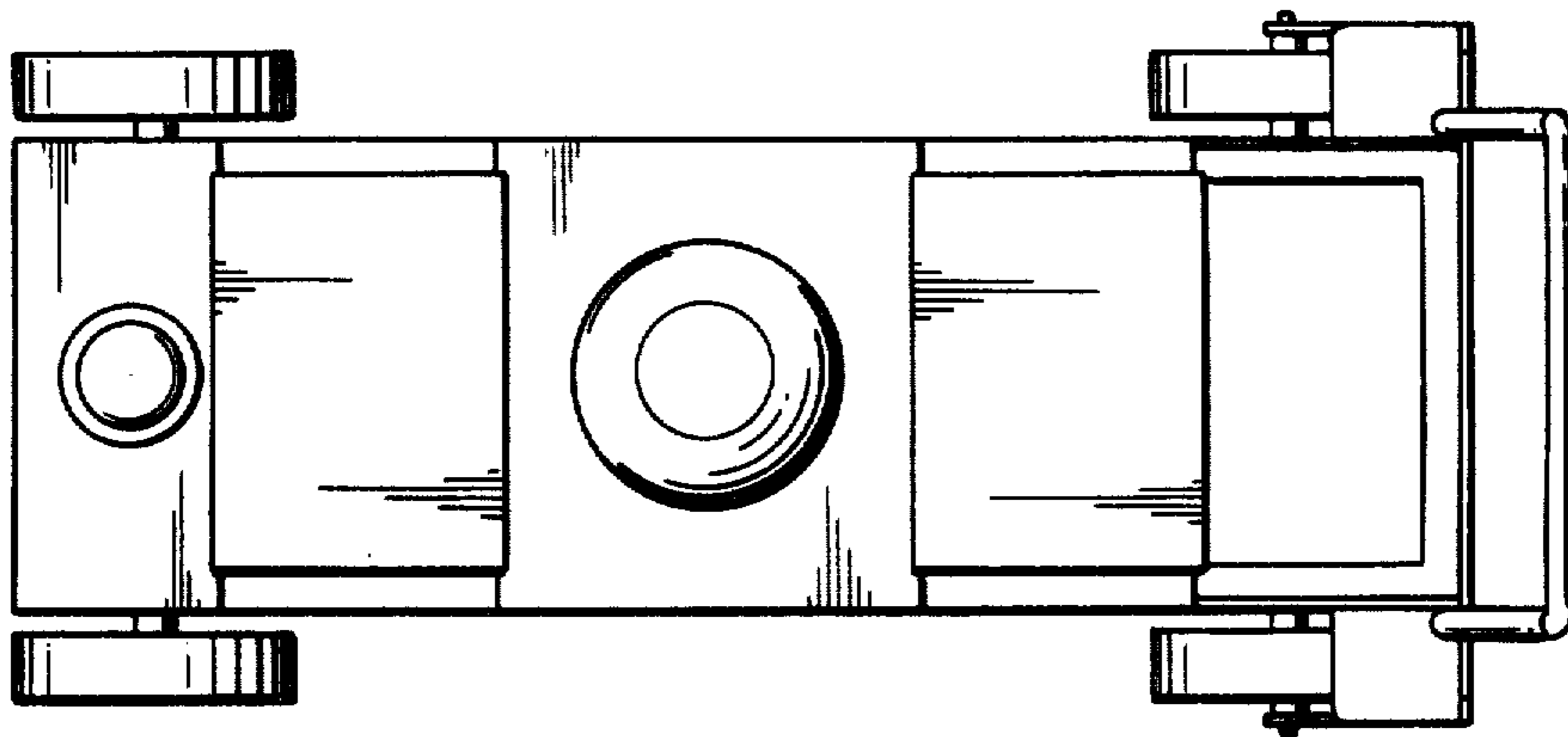


*Fig. 2*

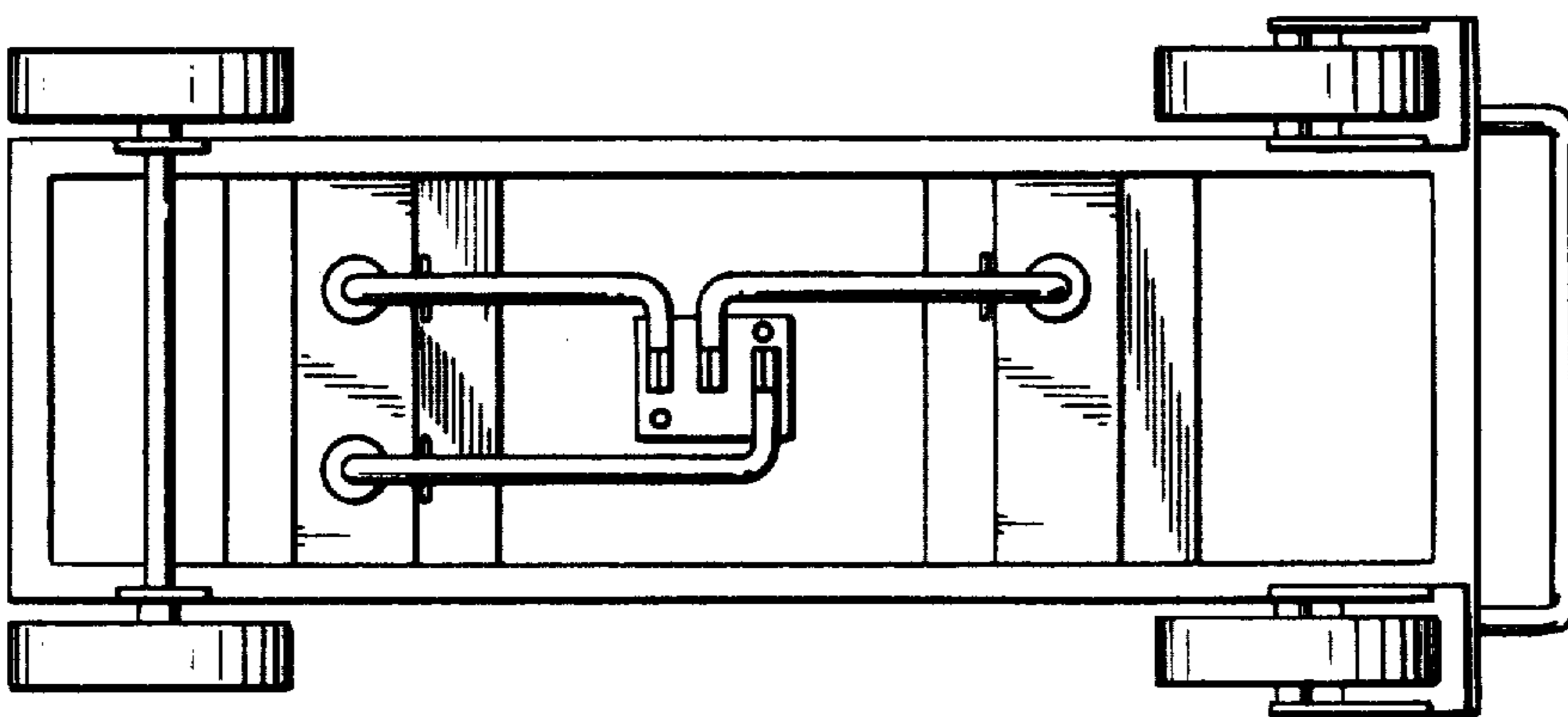


*Fig. 3*





*Fig. 4*



*Fig. 5*