

[54] LIGHT FIXTURE

[75] Inventor: James J. Palka, Arlington Heights, Ill.

[73] Assignee: Pace Industries Inc., Chicago, Ill.

[**] Term: 14 Years

[21] Appl. No.: 308,445

[22] Filed: Oct. 5, 1981

[51] Int. Cl. D26-05

[52] U.S. Cl. D26/80

[58] Field of Search D26/72, 80-92; 362/227, 235, 240, 362, 363, 351, 355, 294, 297, 282, 404, 405, 406, 408, 432, 806

[56] References Cited

U.S. PATENT DOCUMENTS

3,887,802 6/1975 Goralnik 362/282

OTHER PUBLICATIONS

Imperialites Catalog, ©1967, p. 75, Wall light #L 513.

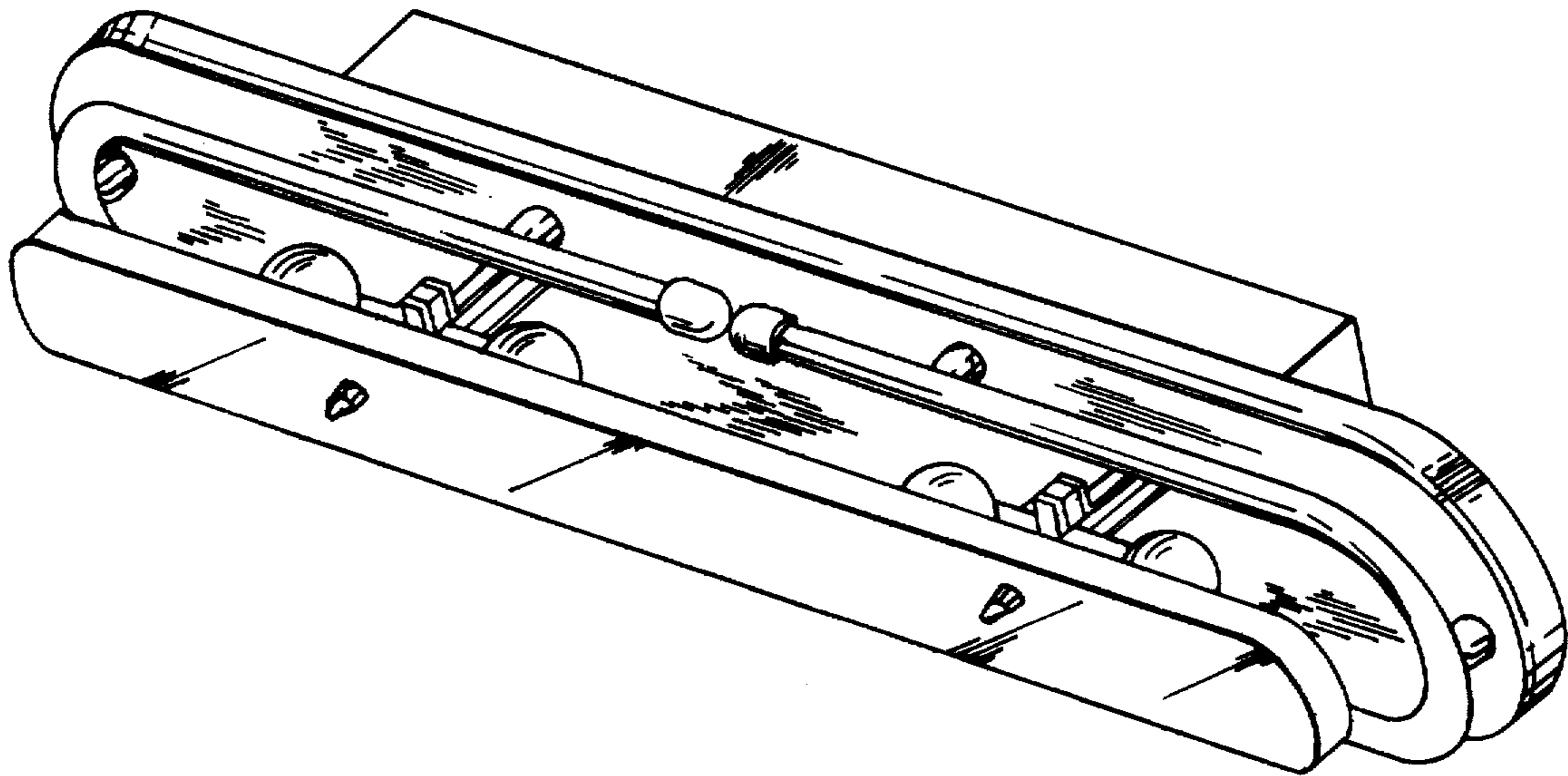
Primary Examiner—Susan J. Lucas
Attorney, Agent, or Firm—Wm. A. Snow

[57] CLAIM

The ornamental design for light fixture, as shown and described.

DESCRIPTION

FIG. 1 is a perspective view of a light fixture showing my new design;
FIG. 2 is a front elevational view thereof;
FIG. 3 is an end elevational view thereof, the opposite end being a mirror image;
FIG. 4 is a top plan view thereof;
FIG. 5 is a rear elevational view thereof; and
FIG. 6 is a bottom plan view thereof.



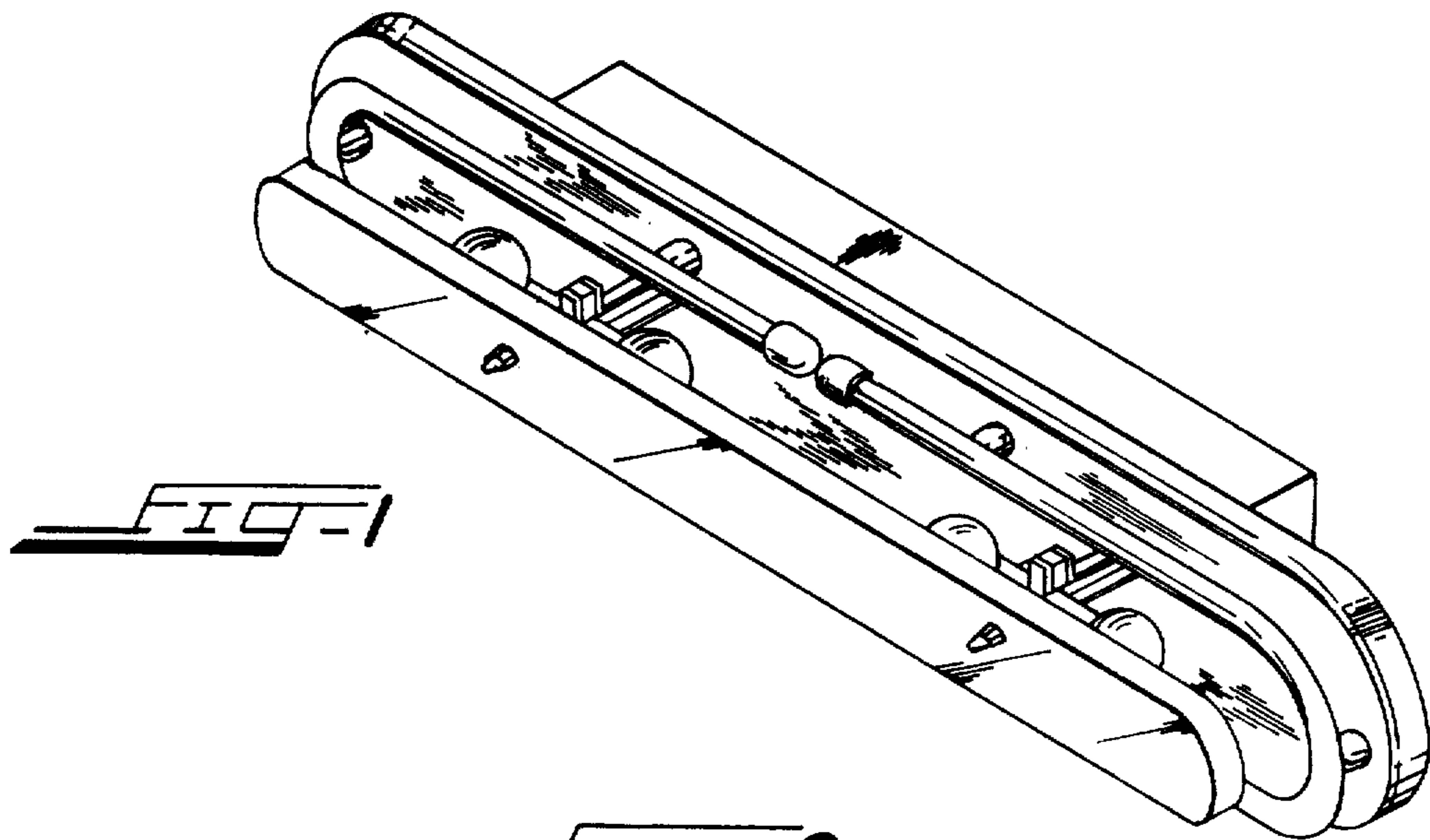


FIG-2

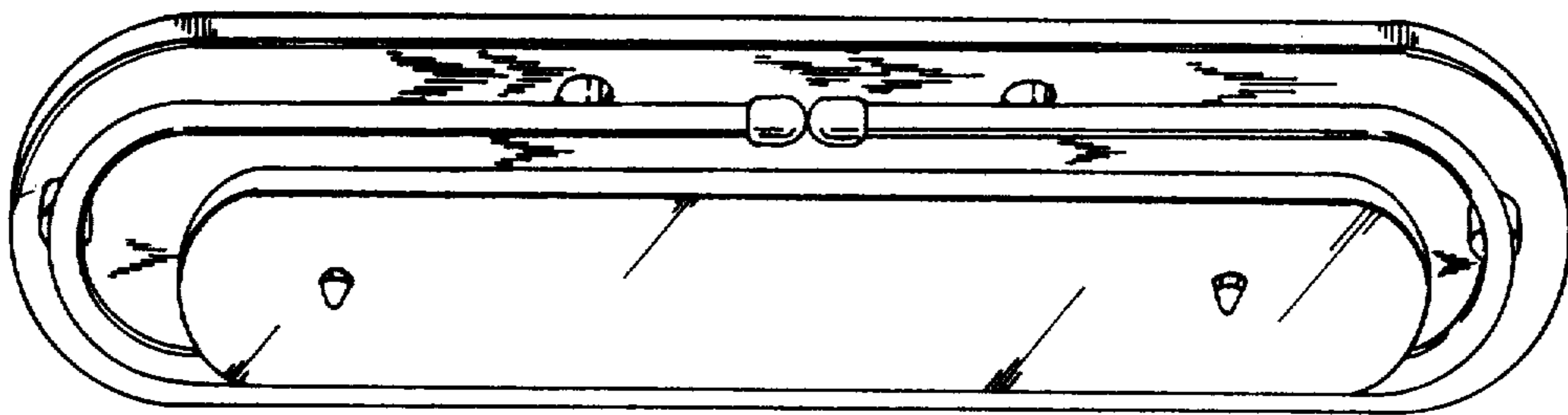


FIG-3

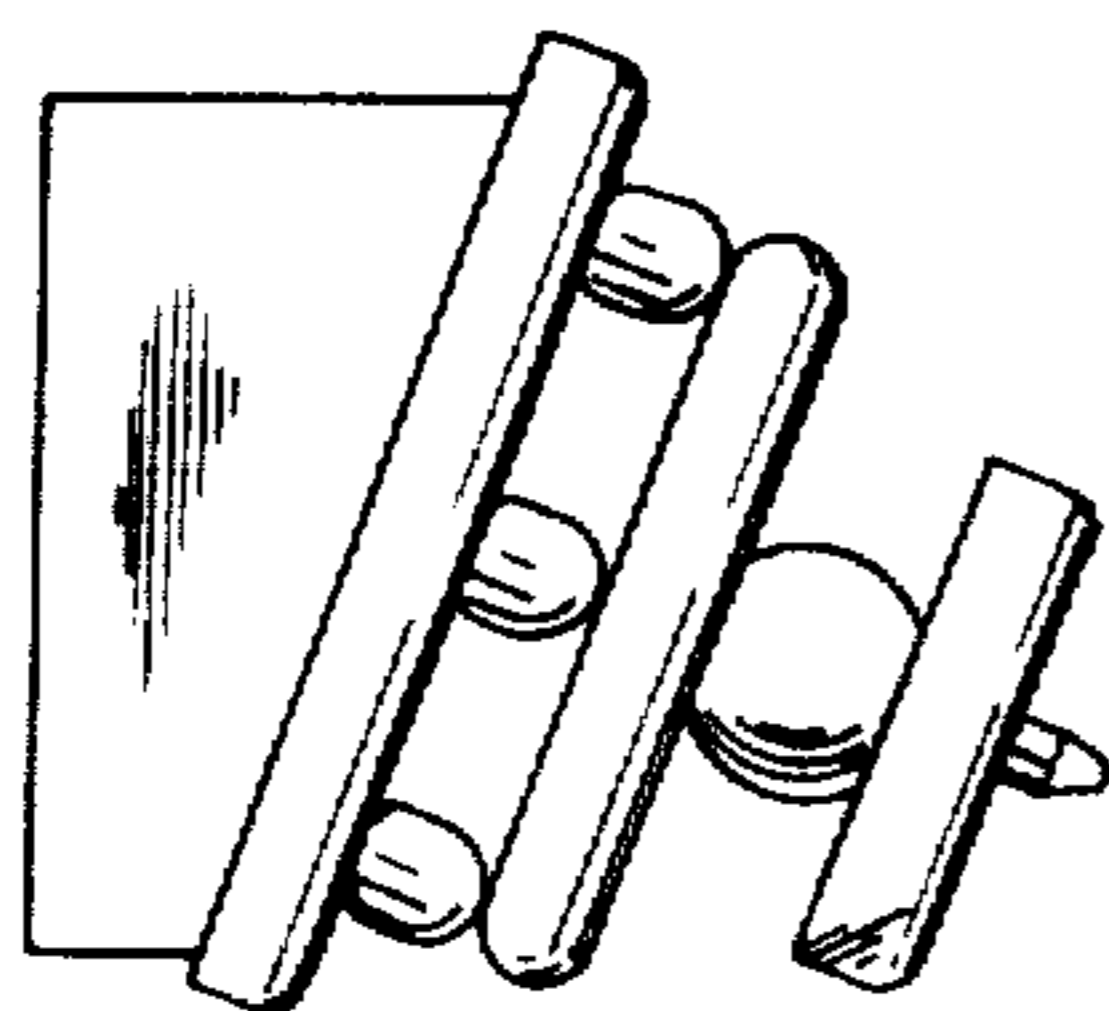


FIG-4

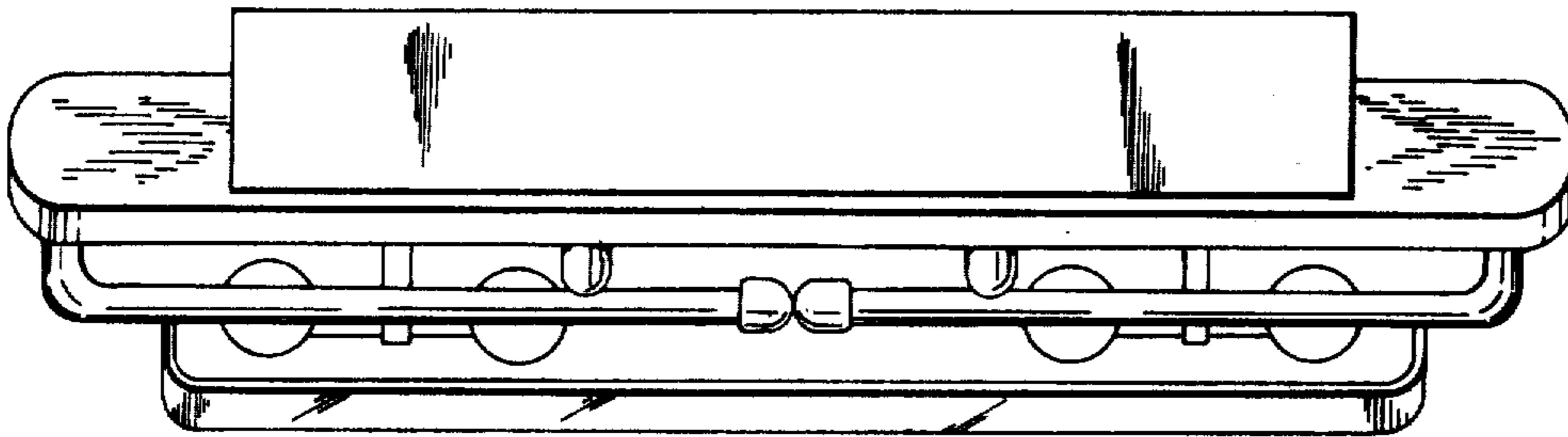


FIG-5

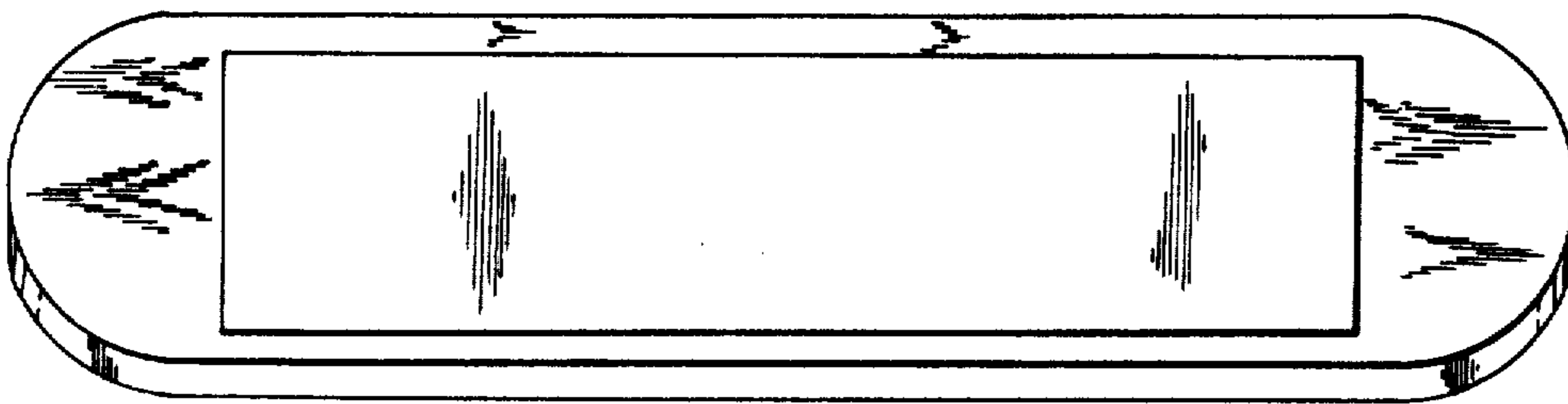


FIG-6

