

[54] SAFETY CLAMP FOR LADDERS  
 [76] Inventor: Kant F. Leach, 4395 S. Galapago St., Englewood, Colo. 80110  
 [\*\*] Term: 14 Years  
 [21] Appl. No.: 325,779  
 [22] Filed: Nov. 30, 1981  
 [51] Int. Cl. .... D6—99; D8—08  
 [52] U.S. Cl. .... D25/68; D8/394  
 [58] Field of Search ..... D8/349, 354, 382, 394; 182/107; 248/210, 211; D25/68

4,143,743 3/1979 Larson ..... 182/107  
 4,164,269 8/1979 Jackson ..... 182/107

Primary Examiner—B. J. Bullock  
 Attorney, Agent, or Firm—Kyle W. Rost

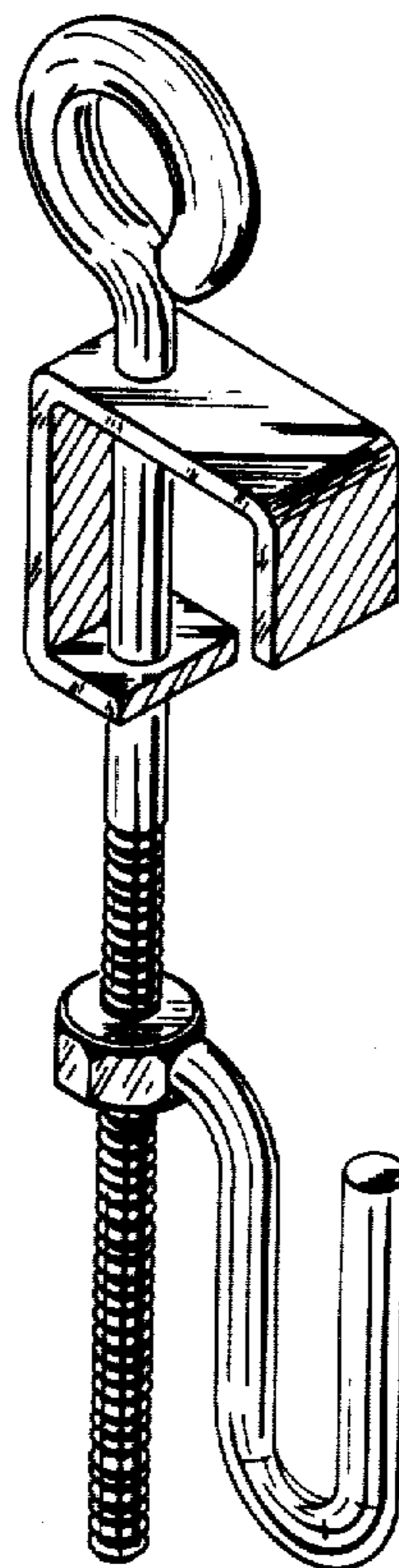
[57] CLAIM

The ornamental design for a safety clamp for ladders, substantially as shown and described.

DESCRIPTION

FIG. 1 is an isometric view of the safety clamp for ladders, showing my new design.  
 FIG. 2 is a top plan view thereof.  
 FIG. 3 is a side elevational view thereof, the opposite side being a mirror image thereof.  
 FIG. 4 is a front elevational view thereof.  
 FIG. 5 is a bottom view thereof.  
 FIG. 6 is a rear fragmentary view thereof, taken from line 6—6 of FIG. 3.

[56] References Cited  
 U.S. PATENT DOCUMENTS  
 1,374,060 4/1921 Chute ..... 182/107  
 2,100,918 11/1937 Ringman ..... 182/107  
 3,094,304 6/1963 Linder, Jr. .... 248/211



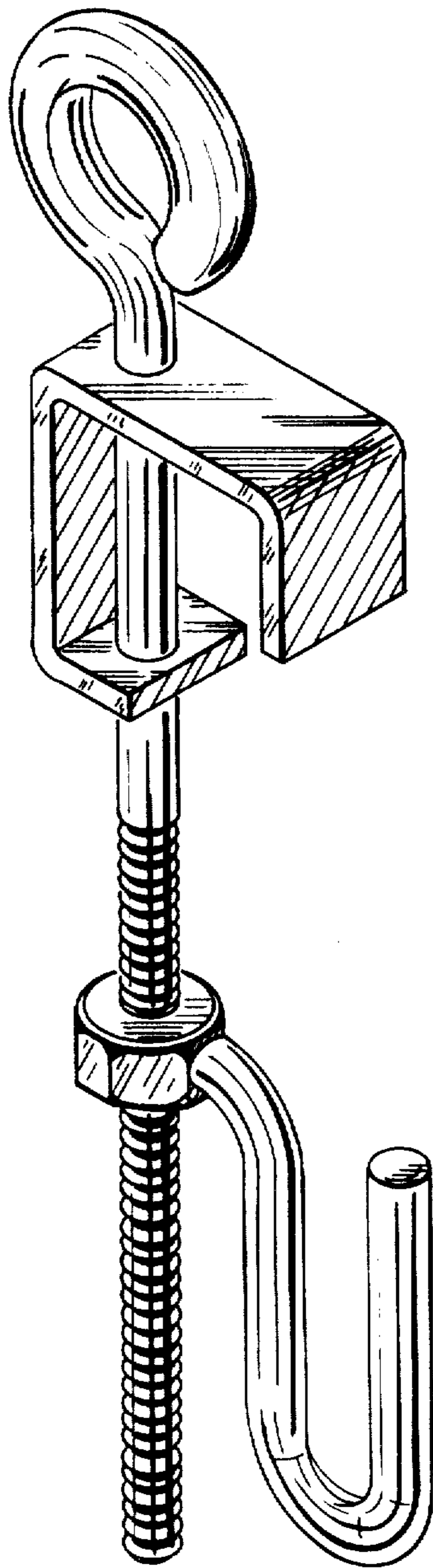


FIG. 1



FIG. 2

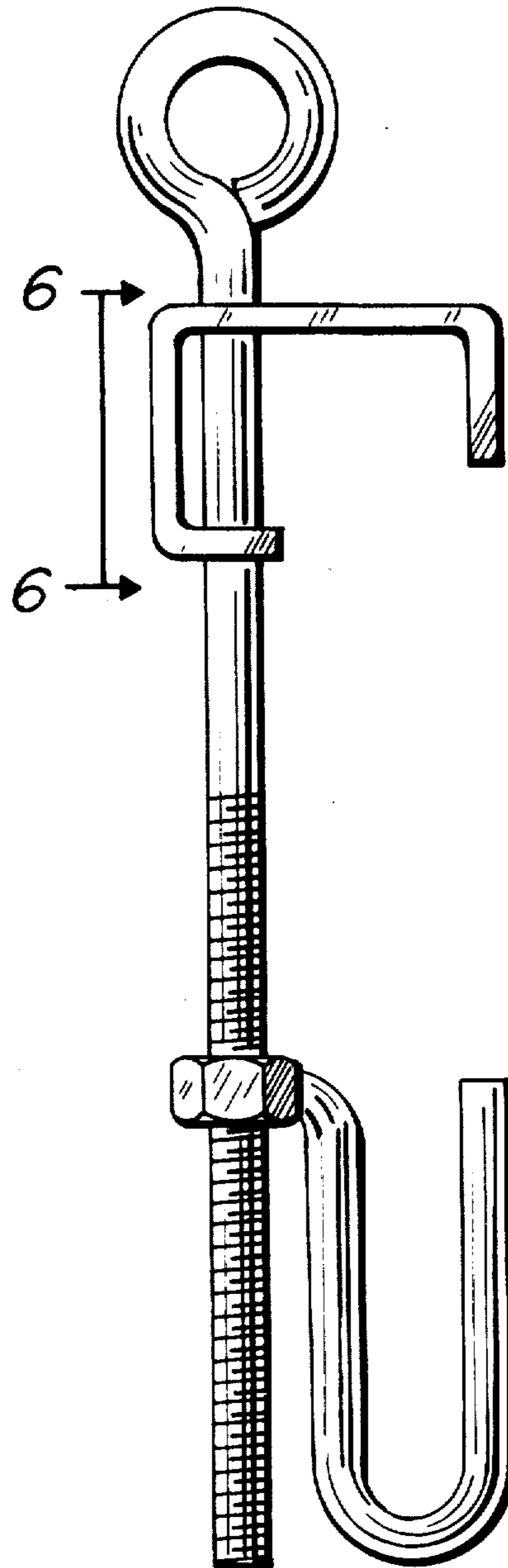


FIG. 3

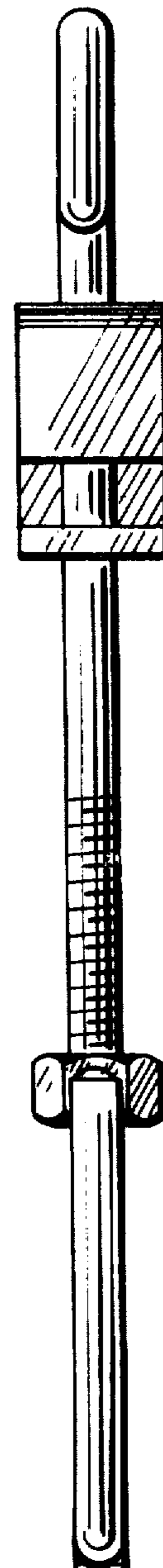


FIG. 4

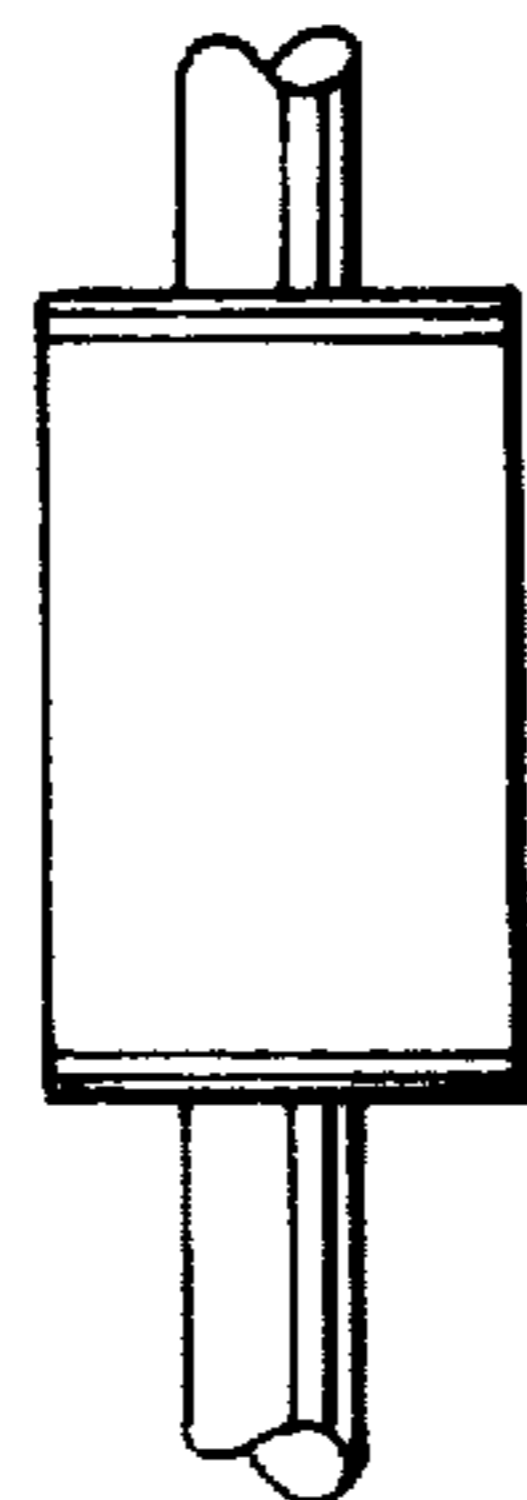


FIG. 6

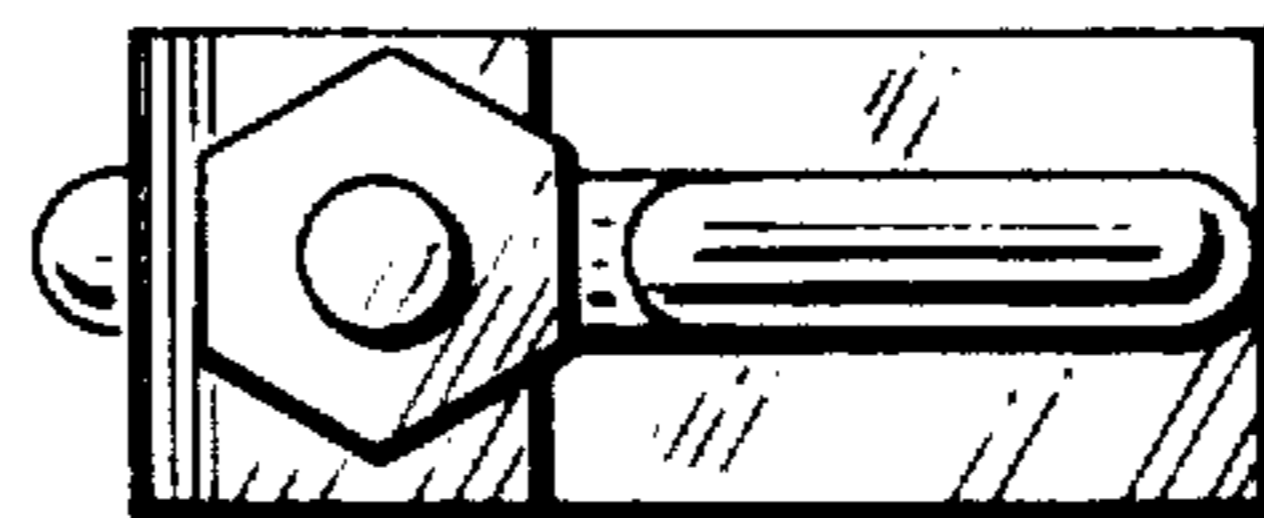


FIG. 5