

[54] DISTAL FEMORAL RESECTION GUIDE

[76] Inventors: Paul A. Witte, 157 N. Main St., New Hope, Pa. 18938; Frederick F. Buechel, 112 Orange Ave., Irvington, N.J. 07111; Michael J. Pappas, 61 Gould Pl., Caldwell, N.J. 07006

[**] Term: 14 Years

[21] Appl. No.: 336,045

[22] Filed: Dec. 31, 1981

[51] Int. Cl. D24-02

[52] U.S. Cl. D24/26; D24/99

[58] Field of Search 3/1.911, 1.912, 1.913; 128/303 R, 305, 92 E, 92 EB

[56] References Cited

U.S. PATENT DOCUMENTS

- D. 230,096 1/1974 Rylee D24/26
- D. 230,098 1/1974 Rylee D24/26

- D. 245,918 9/1977 Shen D24/26
- D. 245,919 9/1977 Shen D24/26
- 4,147,167 4/1979 Hickmann 128/303 R
- 4,305,394 12/1981 Bertuch, Jr. 128/303 R
- 4,340,059 7/1982 Marinoff 128/305
- 4,364,389 12/1982 Keller 128/303

Primary Examiner—Bernard Ansher
Attorney, Agent, or Firm—Carella, Byrne, Bain & Gilfillan

[57] CLAIM

The ornamental design for a distal femoral resection guide, as shown.

DESCRIPTION

FIG. 1 is a front view of a distal femoral resection guide showing our new design;
 FIG. 2 is a top plan view of the distal femoral resection guide;
 FIG. 3 is a side view of the distal femoral resection guide; and
 FIG. 4 is a rear view of the distal femoral resection guide.

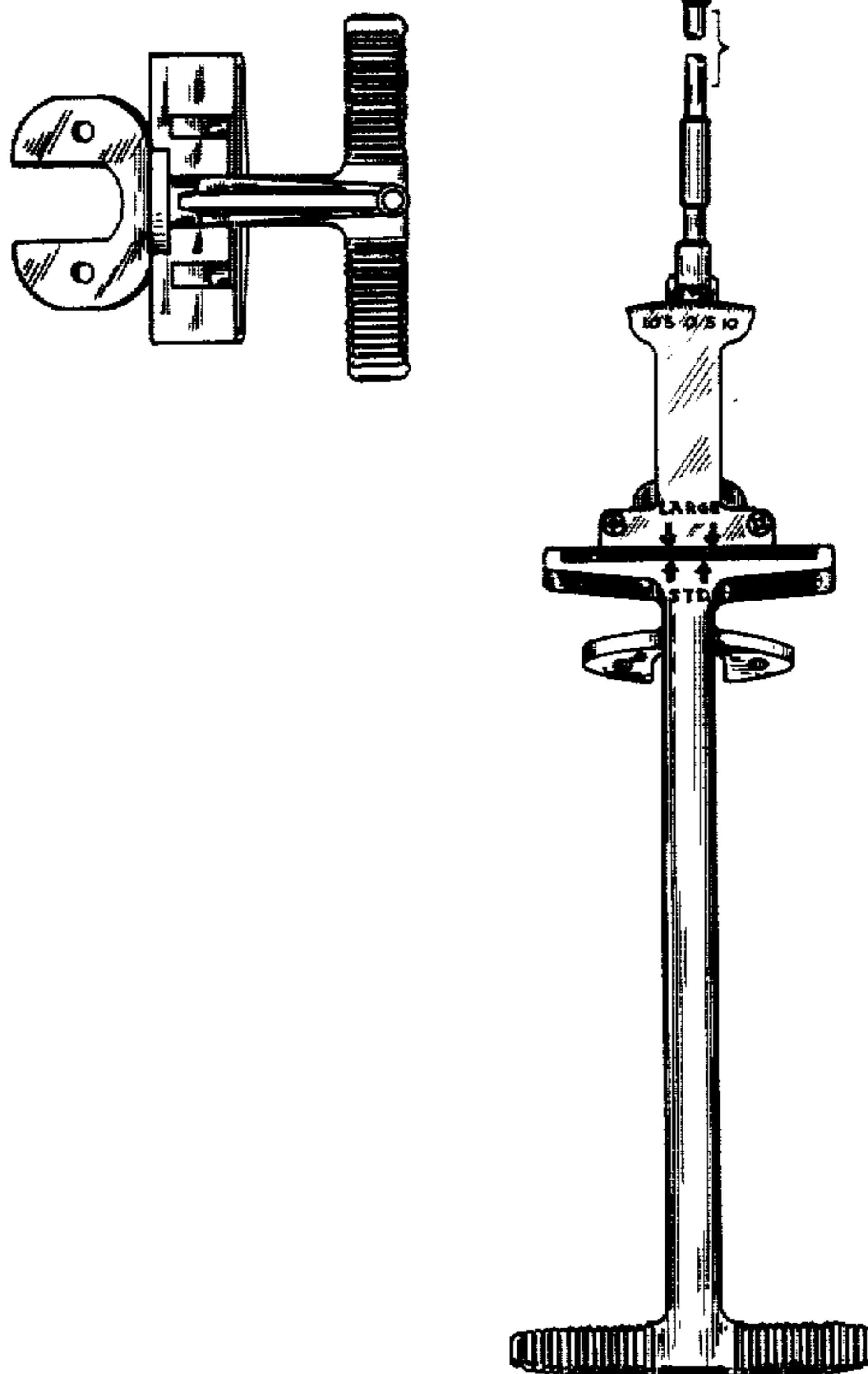


FIG. 2

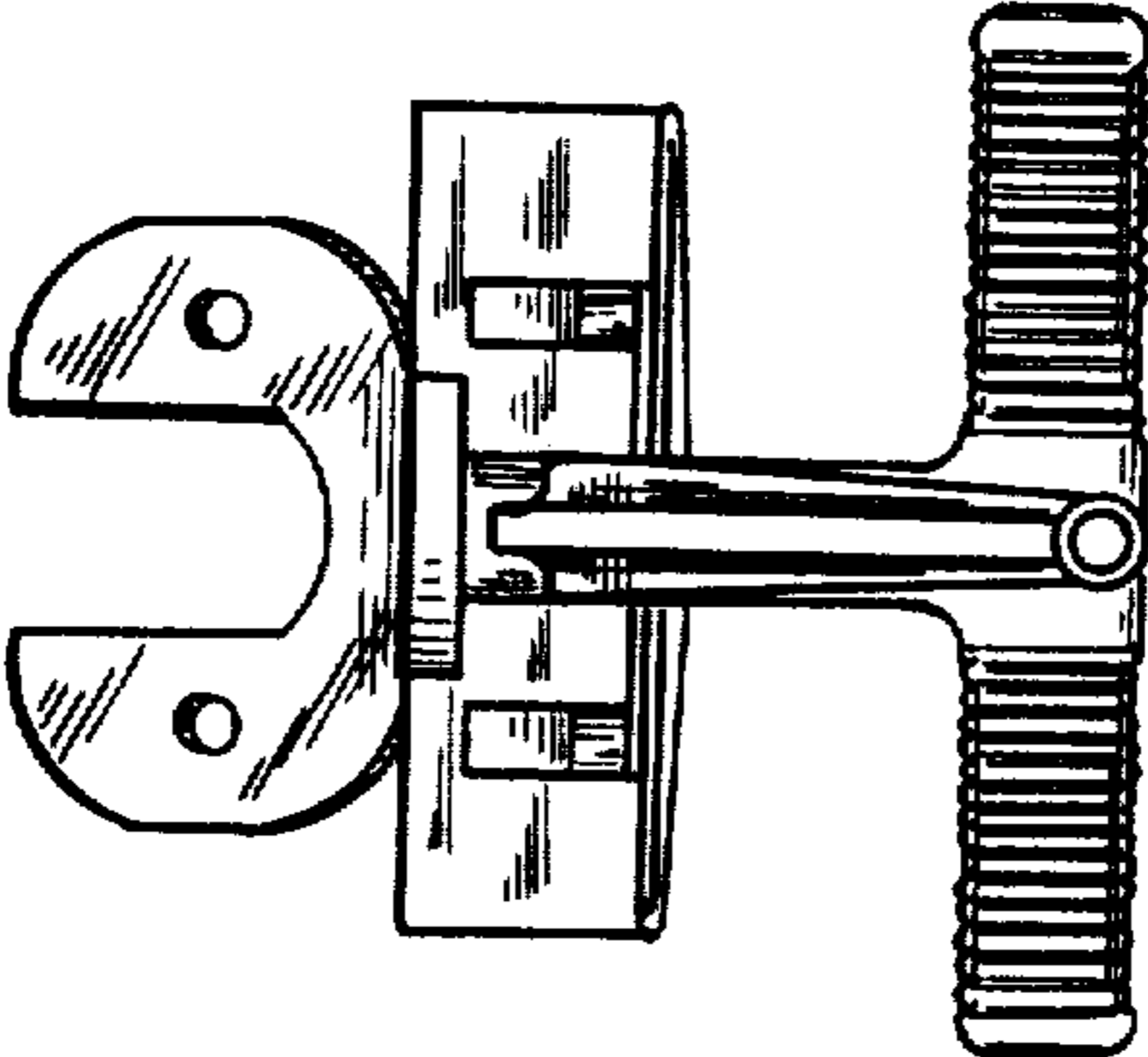


FIG. 1

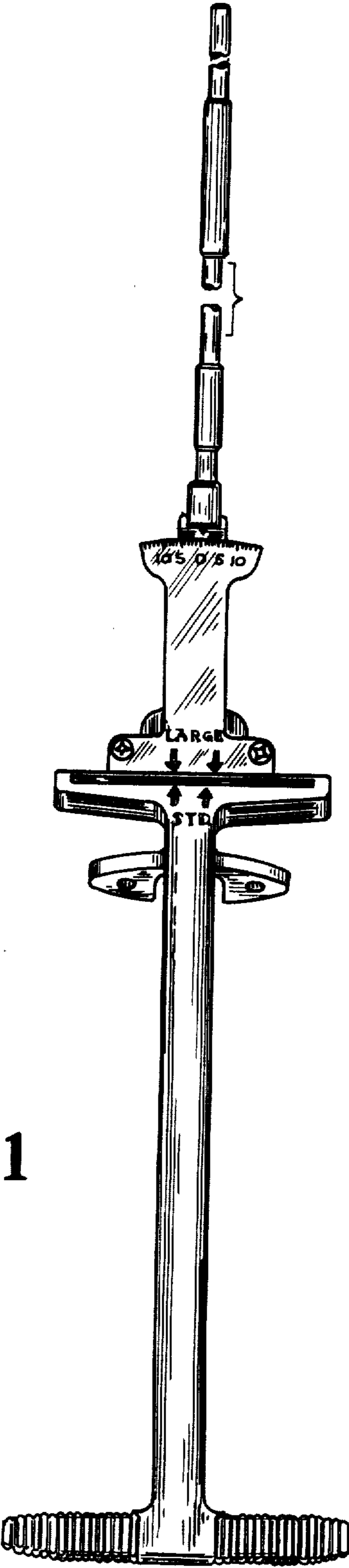


FIG. 4

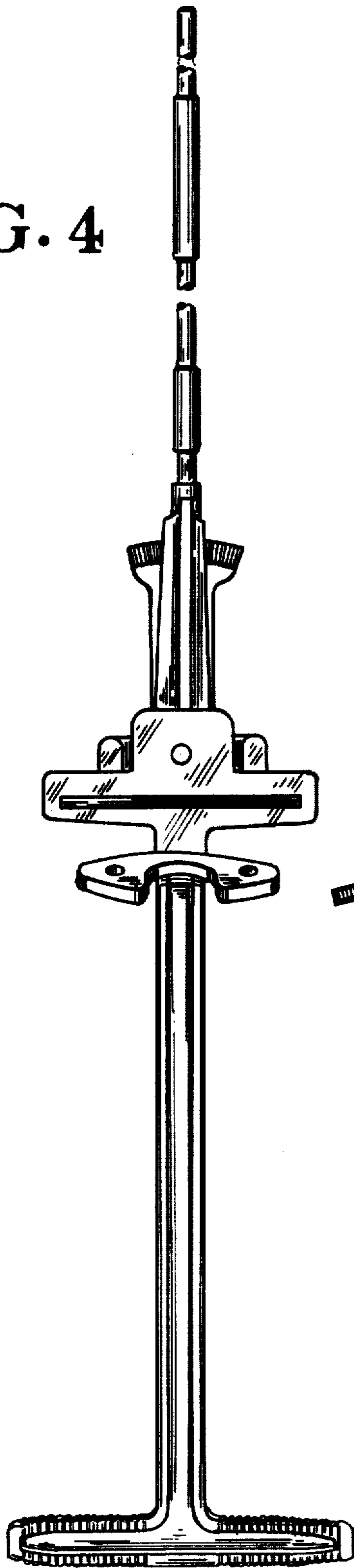


FIG. 3

