

[54] **DRIP CHAMBER SPIKE**

[75] Inventor: **Lee K. Kulle, Mundelein, Ill.**

[73] Assignee: **Baxter Travenol Laboratories, Inc., Deerfield, Ill.**

[**] Term: **14 Years**

[21] Appl. No.: **289,684**

[22] Filed: **Aug. 3, 1981**

[51] Int. Cl. **D24-04; D24-02**

[52] U.S. Cl. **D24/24; D24/25; D9/437; D. 267,270/12001982**

[58] Field of Search **222/0.081; 604/411, 604/412, 413, 414; 137/559; D9/437; D24/25, 53, 24**

[56] **References Cited**

U.S. PATENT DOCUMENTS

D. 228,969	10/1973	Burke et al.	D24/25 X
D. 229,518	12/1973	Bujan	D24/24
D. 257,886	1/1981	Kersten	D24/52
2,746,455	5/1956	Abel	604/411
3,868,965	3/1975	Noiles et al.	137/559
3,938,520	2/1976	Scislowciz	604/405
4,037,597	7/1977	Forberg	604/251
4,055,176	10/1977	Lundquist	604/127

FOREIGN PATENT DOCUMENTS

1399868	7/1975	United Kingdom	D24/24 X
---------	--------	----------------------	----------

Primary Examiner—Bernard Ansher
Attorney, Agent, or Firm—Paul C. Flattery; John P. Kirby, Jr.; Bradford R. L. Price

[57] **CLAIM**

The ornamental design for a drip chamber spike, as shown and described.

DESCRIPTION

FIG. 1 is a perspective view of a drip chamber spike in accordance with the new design;

FIG. 2 is a side elevational view thereof;

FIG. 3 is a side elevational view thereof, as seen upon rotating the view of FIG. 2 45° about its longitudinal axis;

FIG. 4 is a bottom plan view thereof;

FIG. 5 is a top plan view thereof;

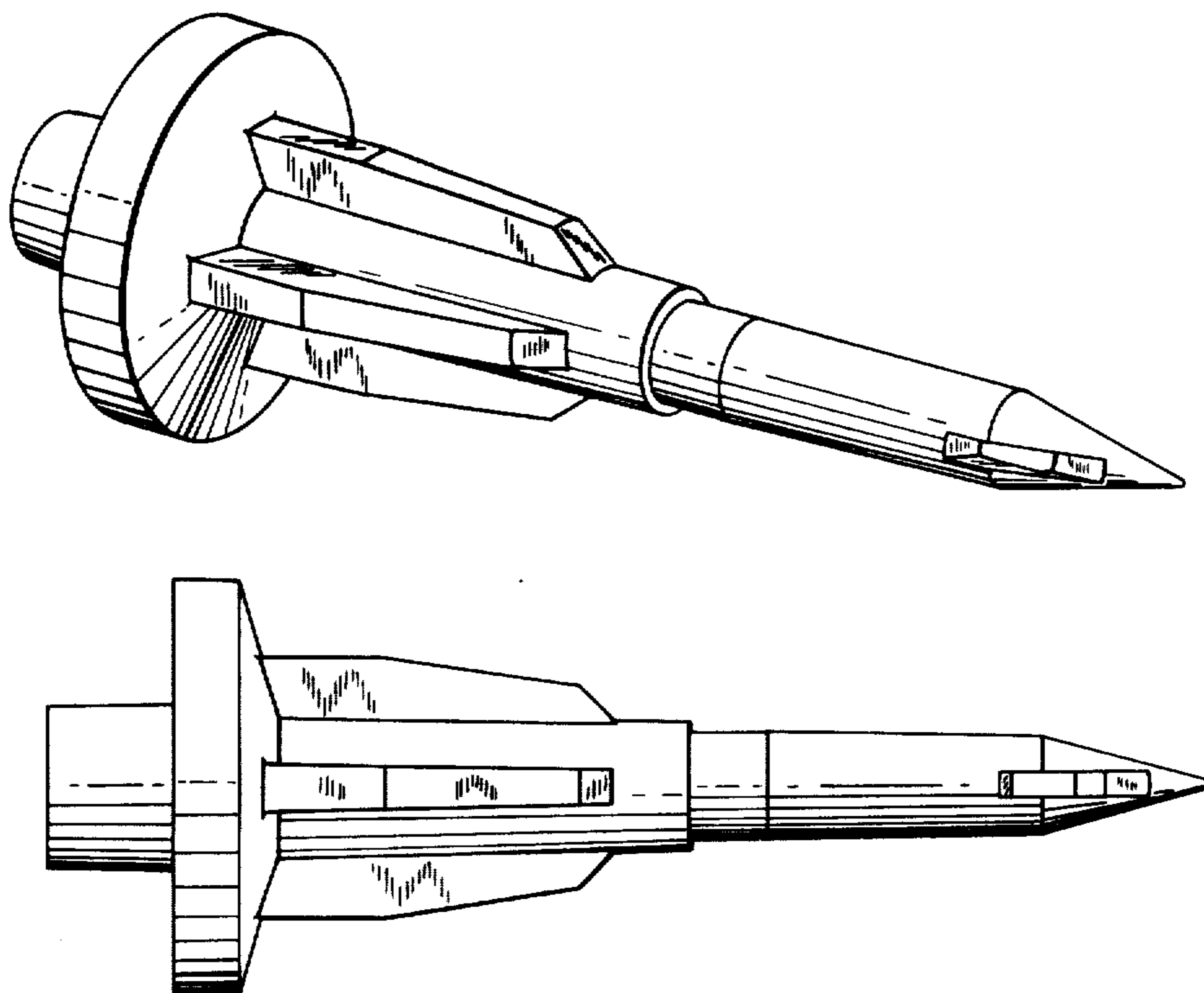
FIG. 6 is a top plan view of an alternative embodiment of my new design, illustrating modified openings at the top of the drip chamber spike;

FIG. 7 is a fragmentary side elevational view taken from the left side of FIG. 6;

FIG. 8 is a fragmentary side elevational view taken from the top of FIG. 6;

FIG. 9 is a fragmentary side elevated view taken from the bottom of FIG. 6; and

FIG. 10 is a side elevational view of a second alternative embodiment of my design, illustrating a modified fin structure.



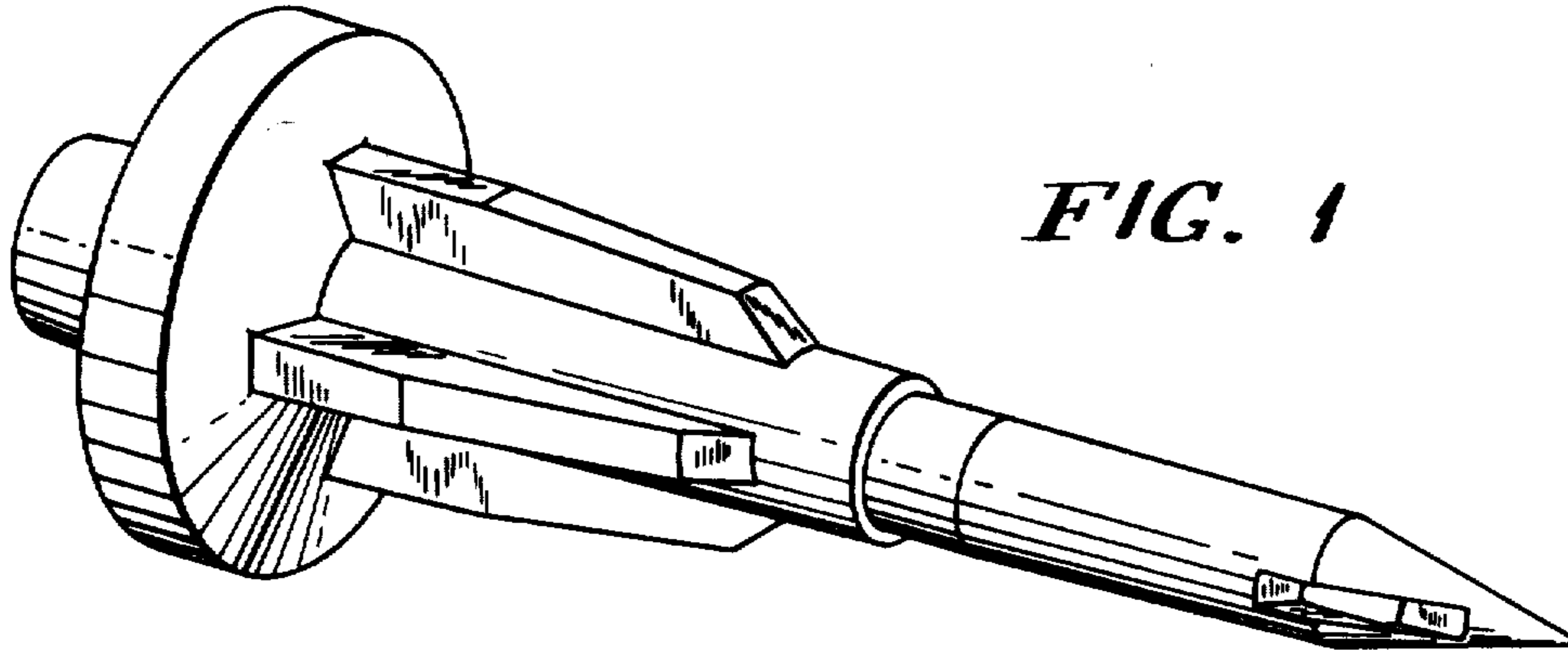


FIG. 1

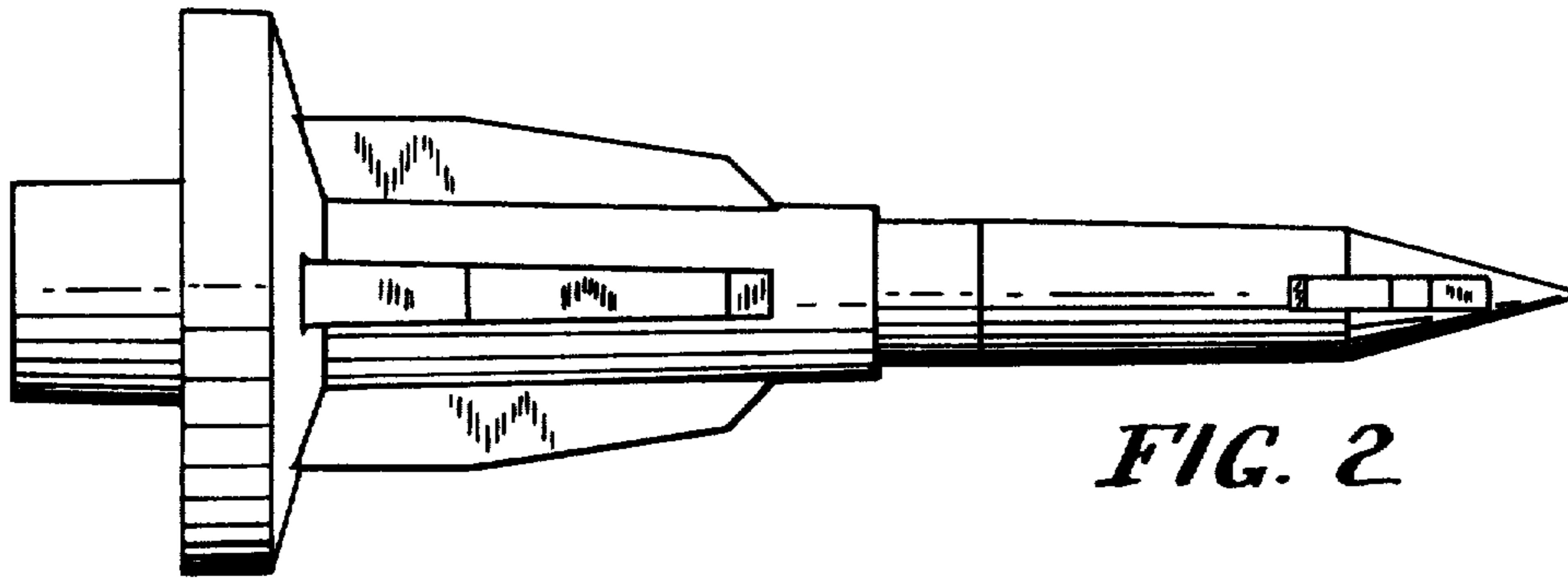


FIG. 2

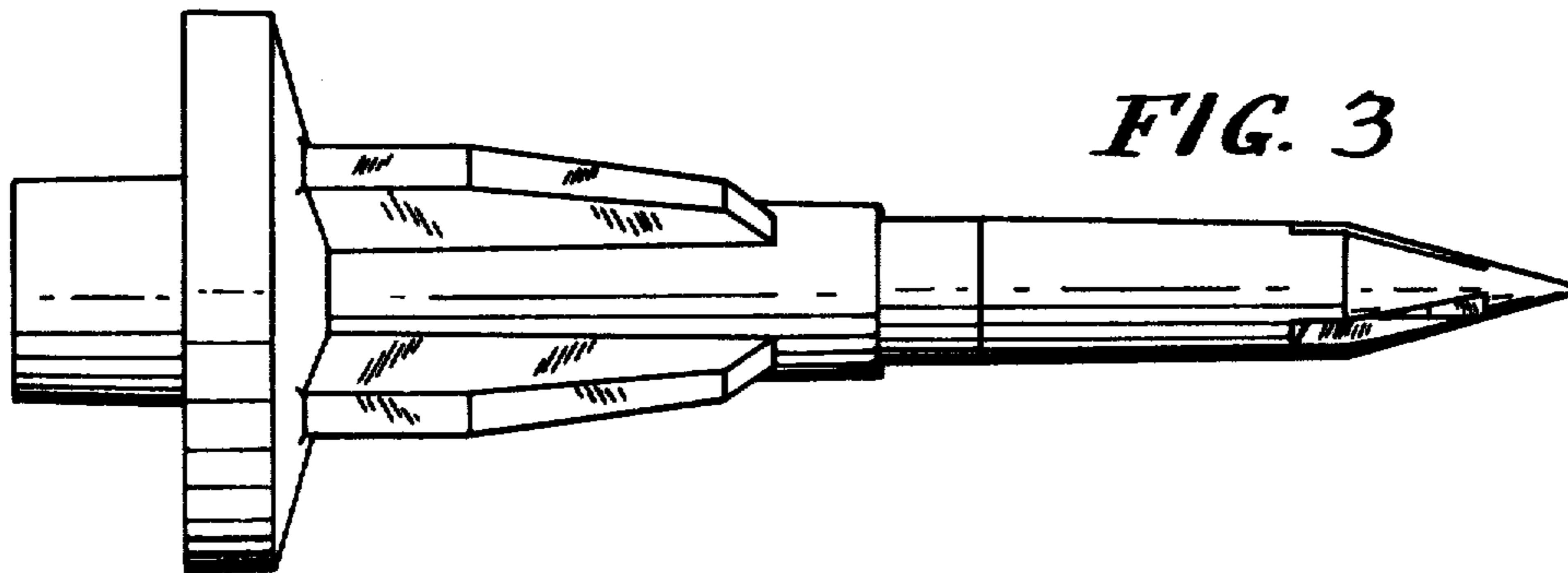


FIG. 3

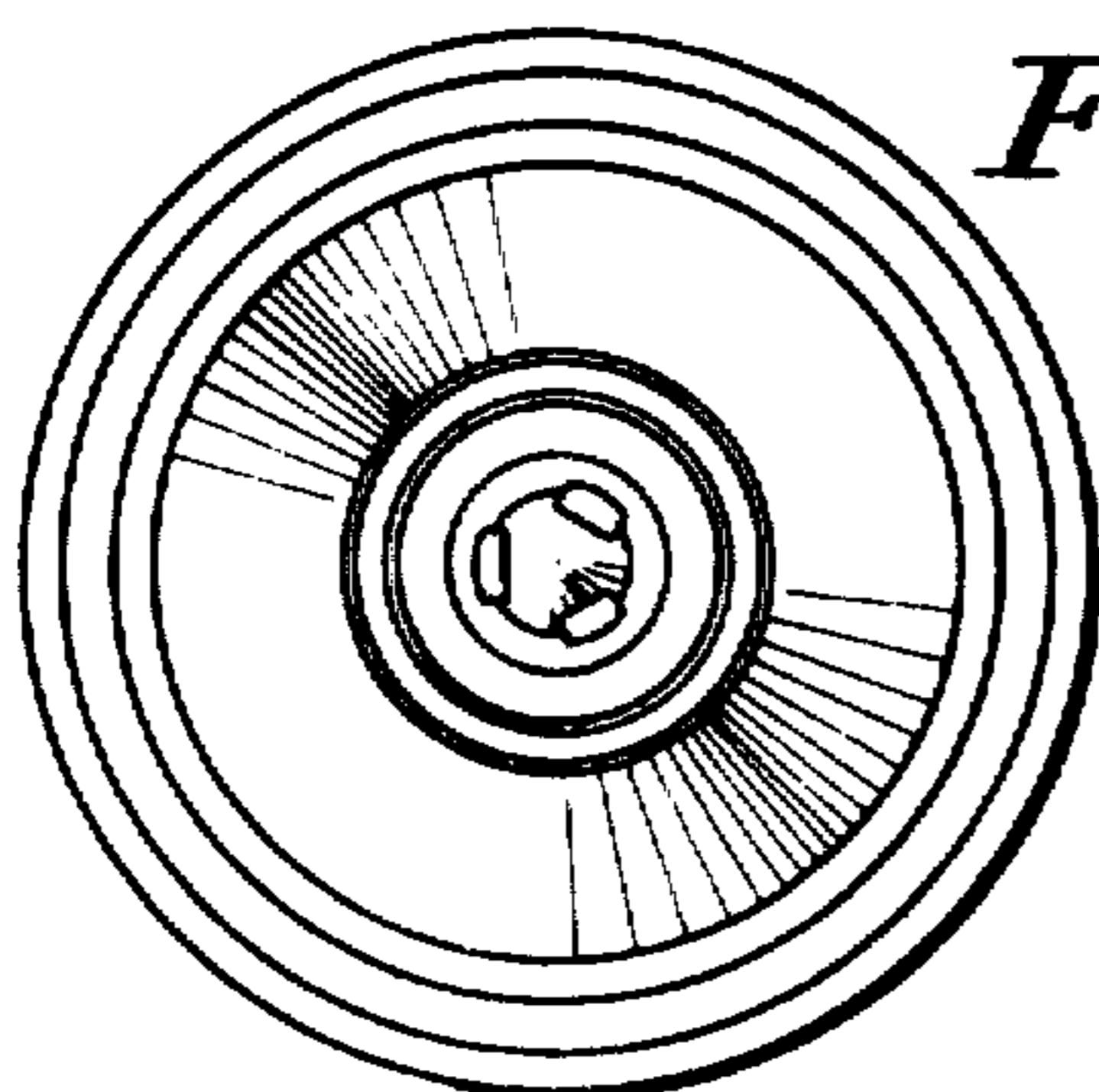


FIG. 4

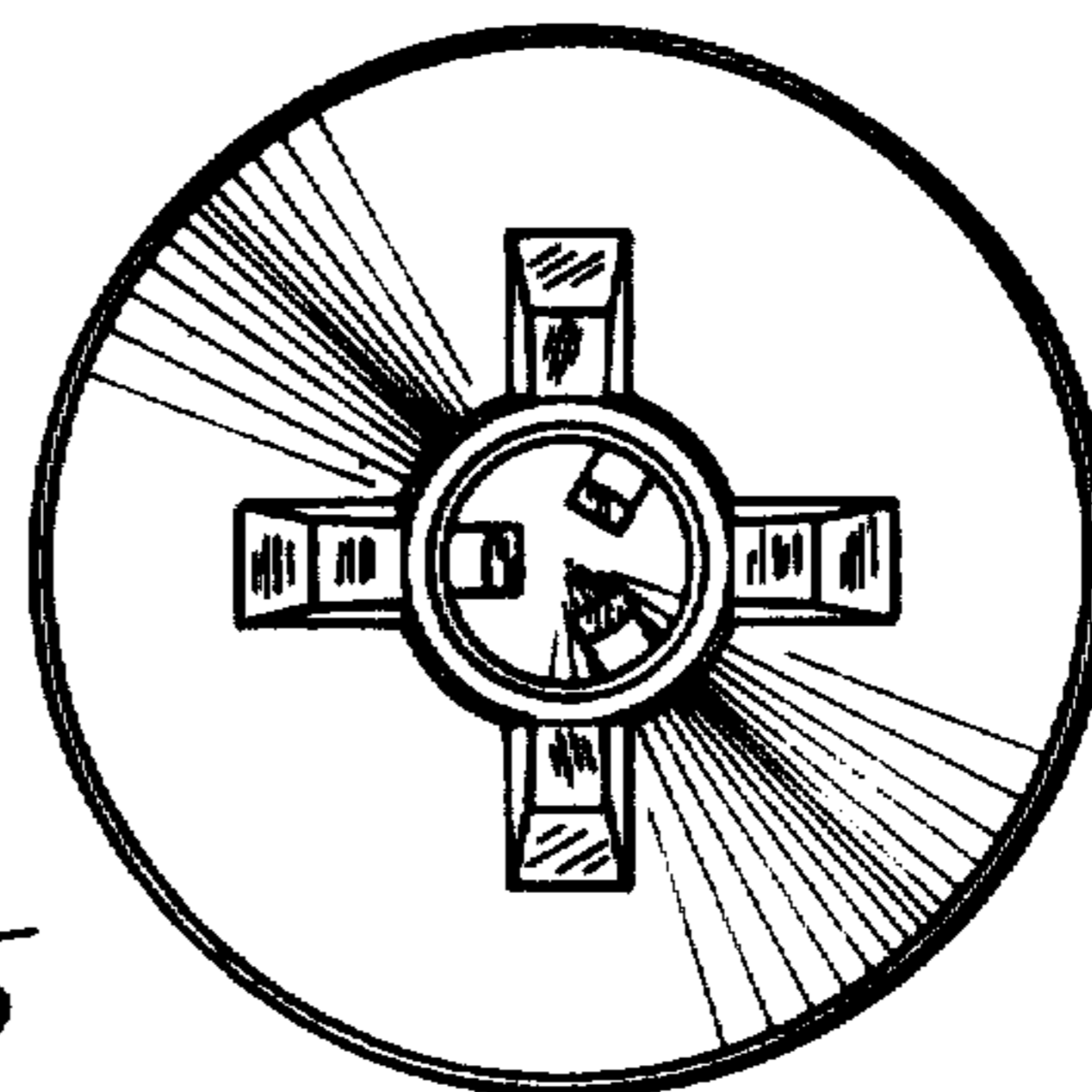


FIG. 5



FIG. 7

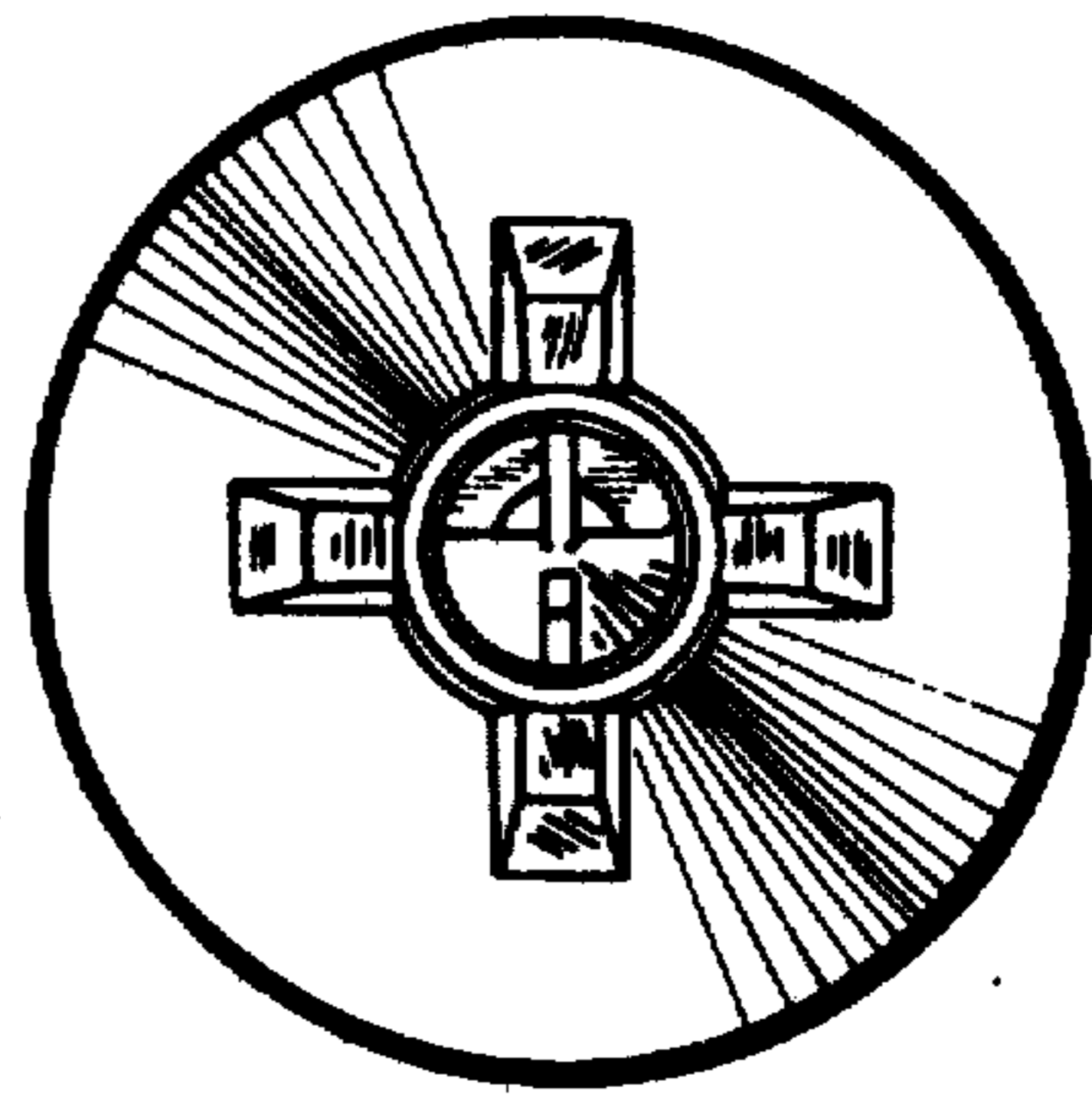


FIG. 6

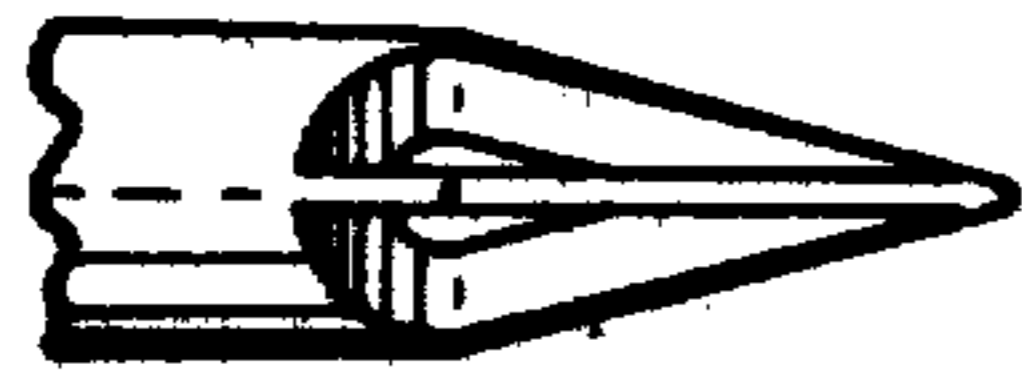


FIG. 8

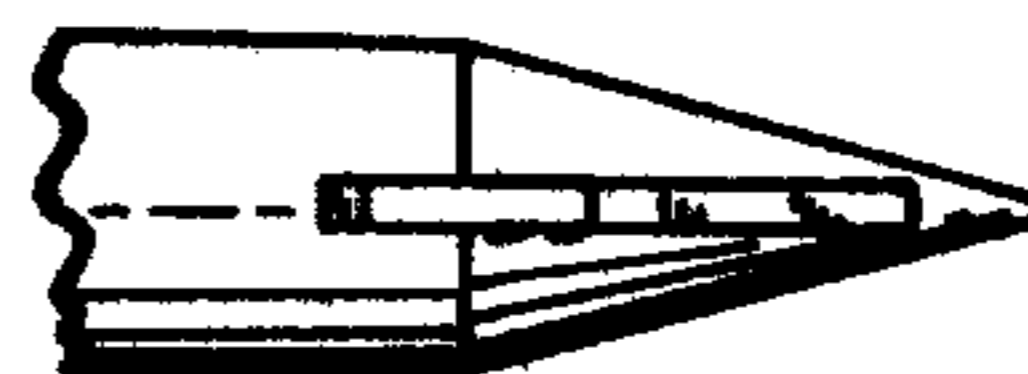


FIG. 9

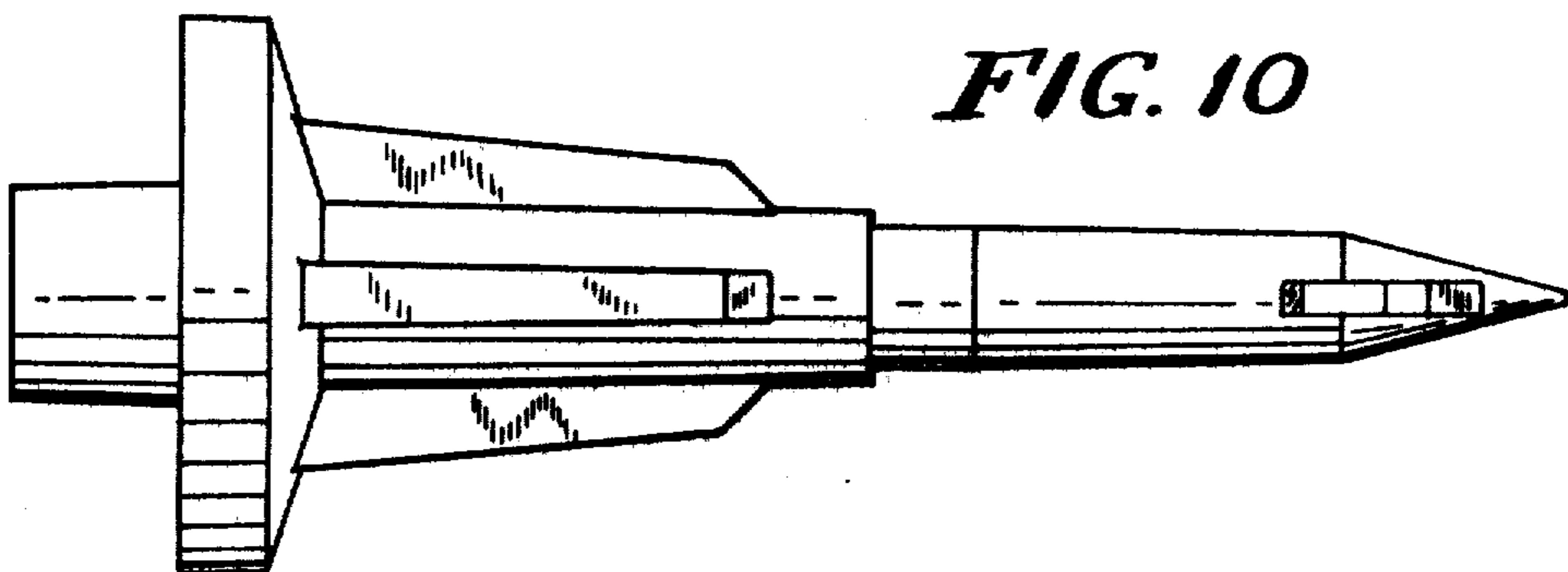


FIG. 10