

[54] FAN HOUSING FOR GRAIN DRYERS

[75] Inventors: Robert J. McVicker; Wilford R. Mann, both of Niles, Mich.

[73] Assignee: AAA Associates, Inc., Niles, Mich.

[**] Term: 14 Years

[21] Appl. No.: 291,225

[22] Filed: Aug. 10, 1981

[51] Int. Cl. D23-04

[52] U.S. Cl. D23/139

[58] Field of Search D23/151, 152, 153, 154, D23/155, 156, 157, 158, 159, 160, 161-165, 115, 139; 415/72, 73, 200, 219 R, 219 C; 98/55, 94 AC; 34/233

[56] References Cited

U.S. PATENT DOCUMENTS

- D. 194,376 1/1963 Jacobs D23/115
- D. 257,060 9/1980 Mann .
- D. 261,803 11/1981 Bohanon, Jr. D23/163
- 2,645,991 7/1953 Hobson 98/55

- 3,388,482 6/1968 Rotenburger 99/55
- 3,648,753 3/1972 Bergquist 34/233
- 3,834,294 9/1974 Wurdeman et al. 98/55

OTHER PUBLICATIONS

Aerovent "Vari-Pack" Form VAR1076-10M-GP.

Primary Examiner—Wallace R. Burke

Assistant Examiner—Suzanne N. Gitlin

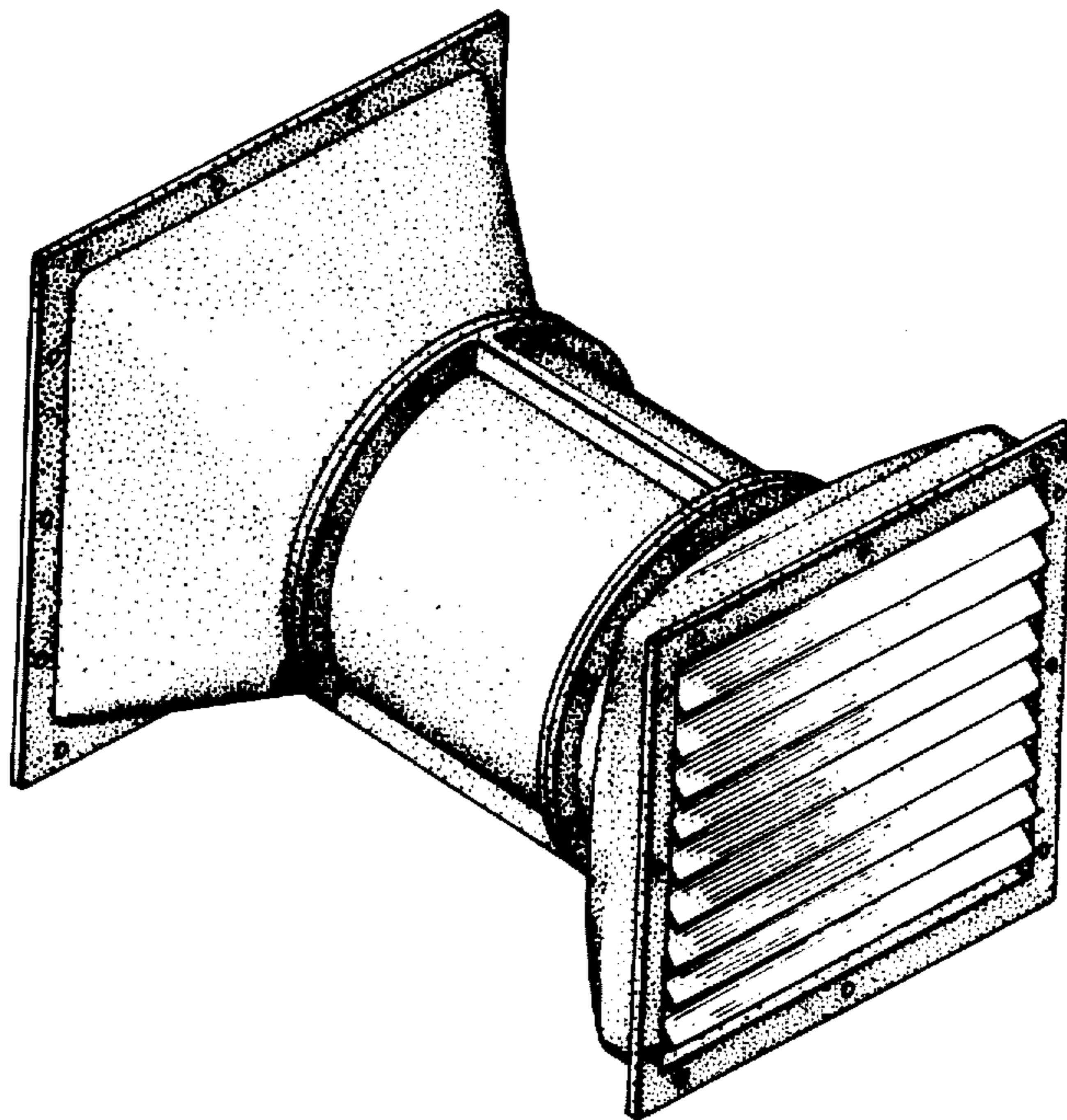
Attorney, Agent, or Firm—Marmaduke A. Hobbs

[57] CLAIM

The ornamental design for a fan housing for grain dryers, substantially as shown.

DESCRIPTION

FIG. 1 is a front perspective view of a fan housing for grain dryers, showing my new design;
 FIG. 2 is a rear perspective view thereof;
 FIG. 3 is a side elevational view taken from the right of FIG. 1;
 FIG. 4 is a rear elevational view thereof;
 FIG. 5 is a top plan view thereof;
 FIG. 6 is a front elevational view thereof.



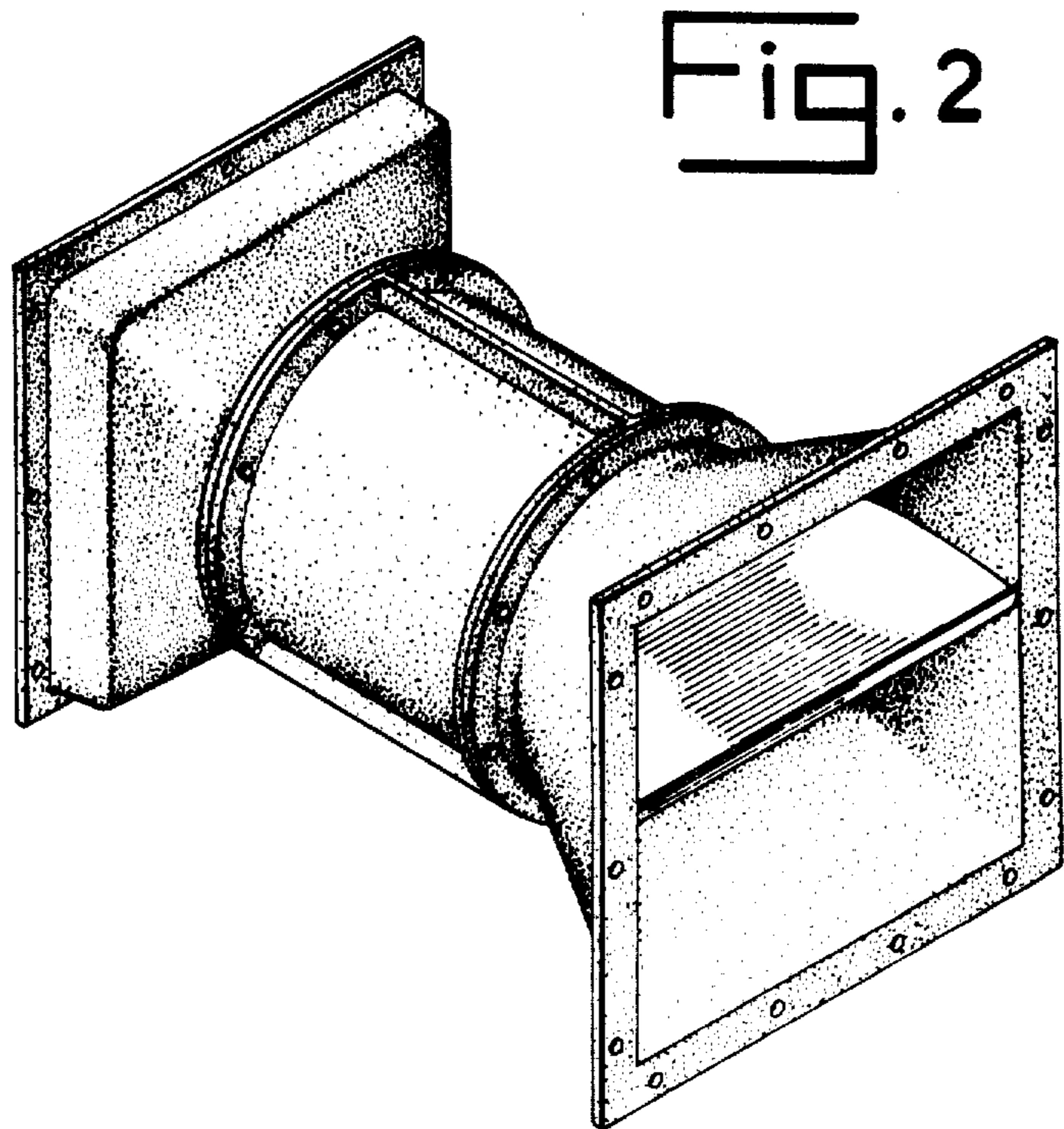
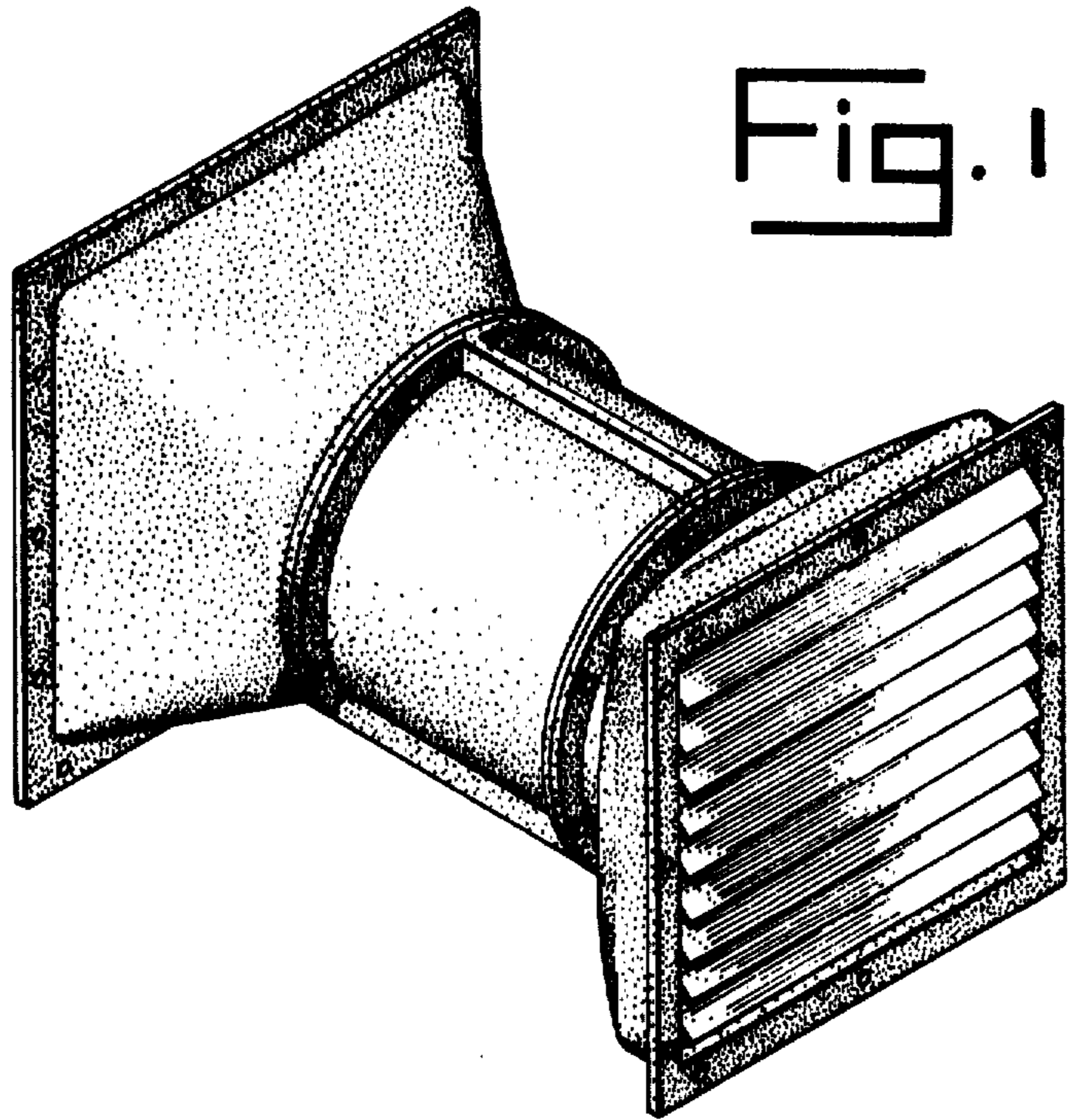


Fig. 3

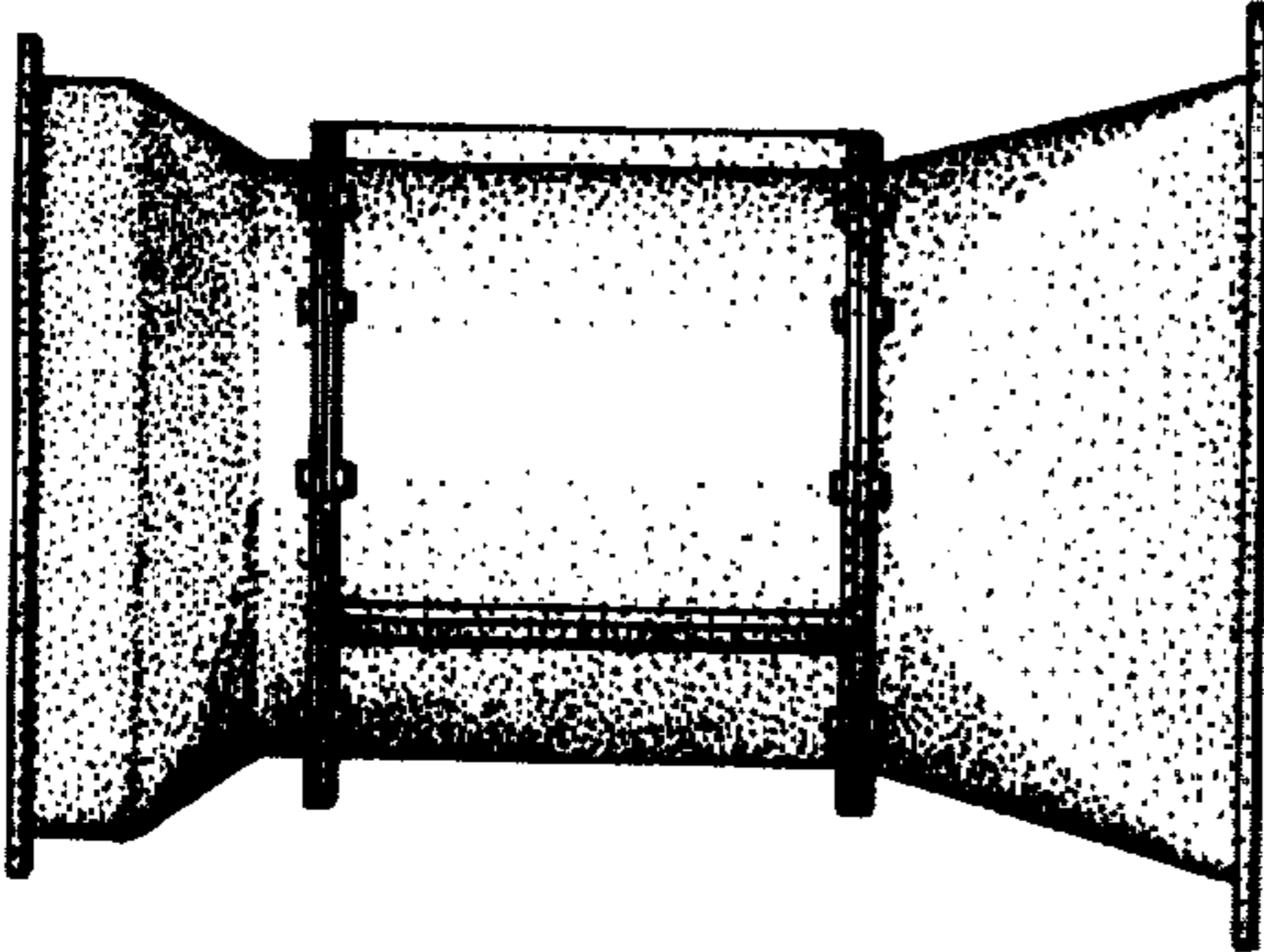


Fig. 4

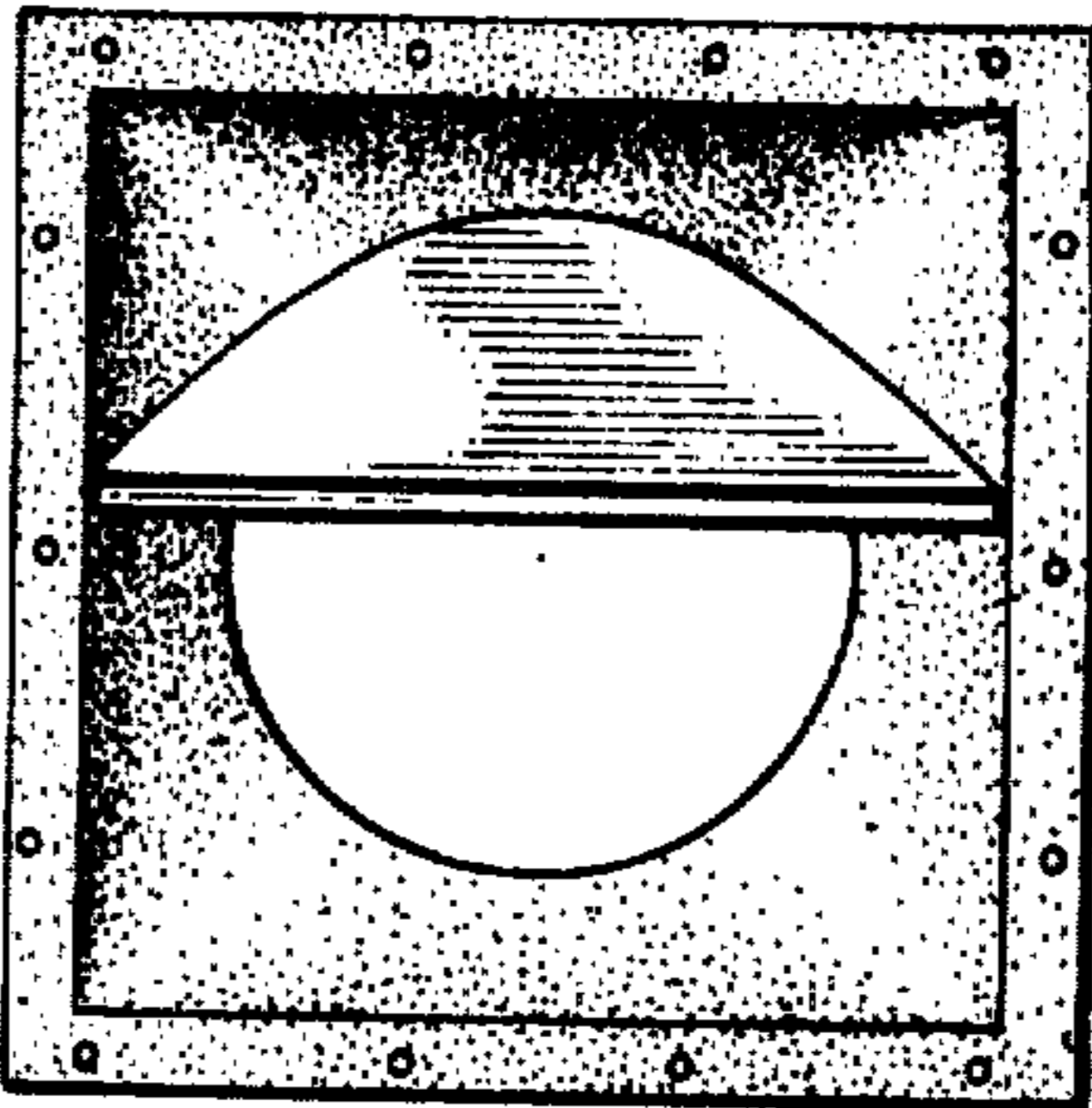


Fig. 5

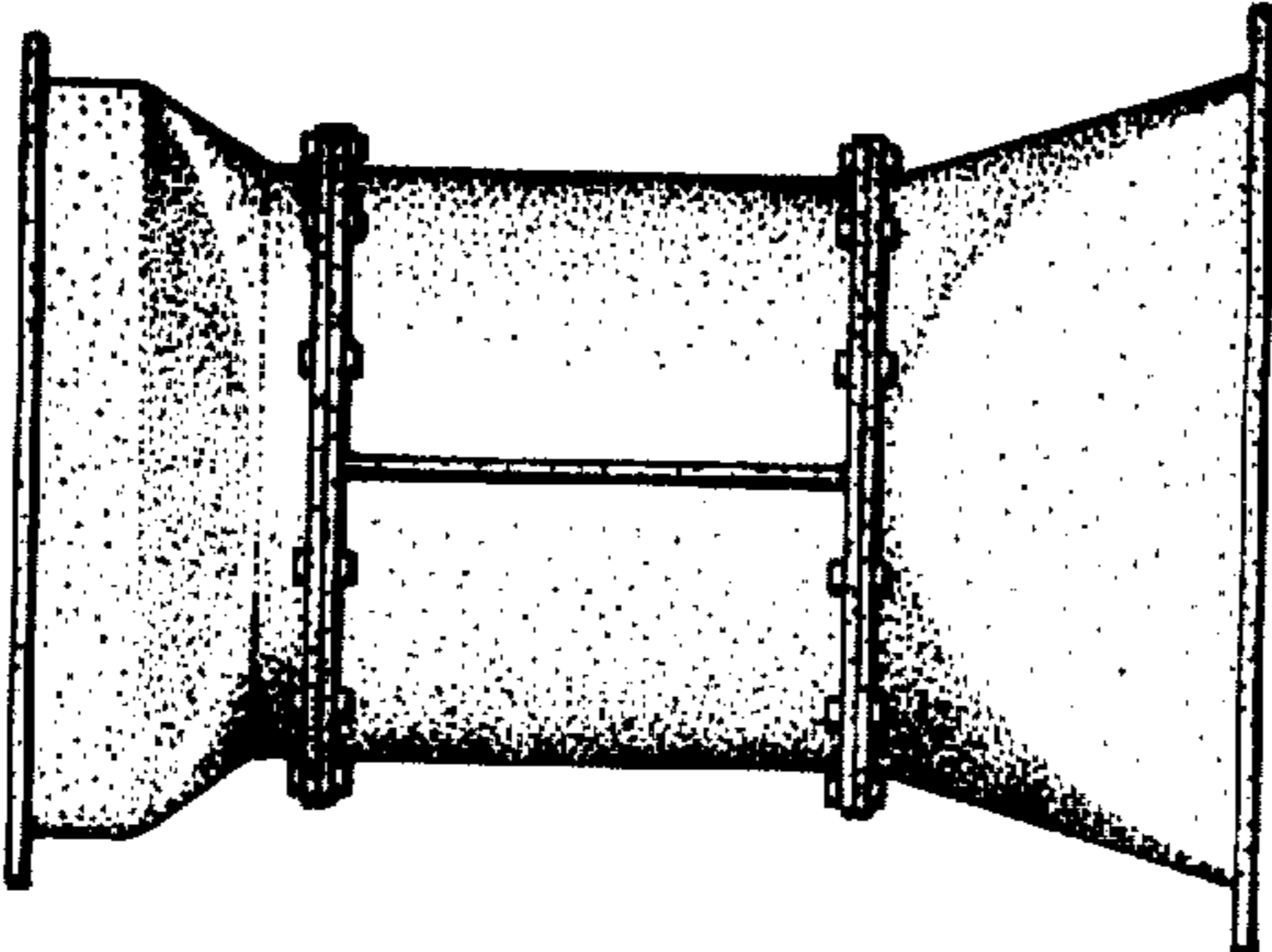


Fig. 6

