

[54] TYPEWRITER

[75] Inventor: Mitsuru Iseki, Nagoya, Japan

[73] Assignee: Brother Kogyo Kabushiki Kaisha, Nagoya, Japan

[**] Term: 14 Years

[21] Appl. No.: 380,567

[22] Filed: May 21, 1982

[30] Foreign Application Priority Data

Jan. 22, 1982 [JP] Japan 57-2396

[51] Int. Cl. D18-01

[52] U.S. Cl. D18/1

[58] Field of Search D18/1, 2, 12, 22; D14/100, 115; 400/689-693, 718, 642

[56]

References Cited

U.S. PATENT DOCUMENTS

D. 219,718 1/1971 Penney D18/1
 D. 237,109 10/1975 Genaro D18/1
 D. 249,513 9/1978 Zierhut D14/100
 D. 258,957 4/1981 Bevilacqua et al. D14/115

Primary Examiner—Louis S. Zarfes
Attorney, Agent, or Firm—Moonray Kojima

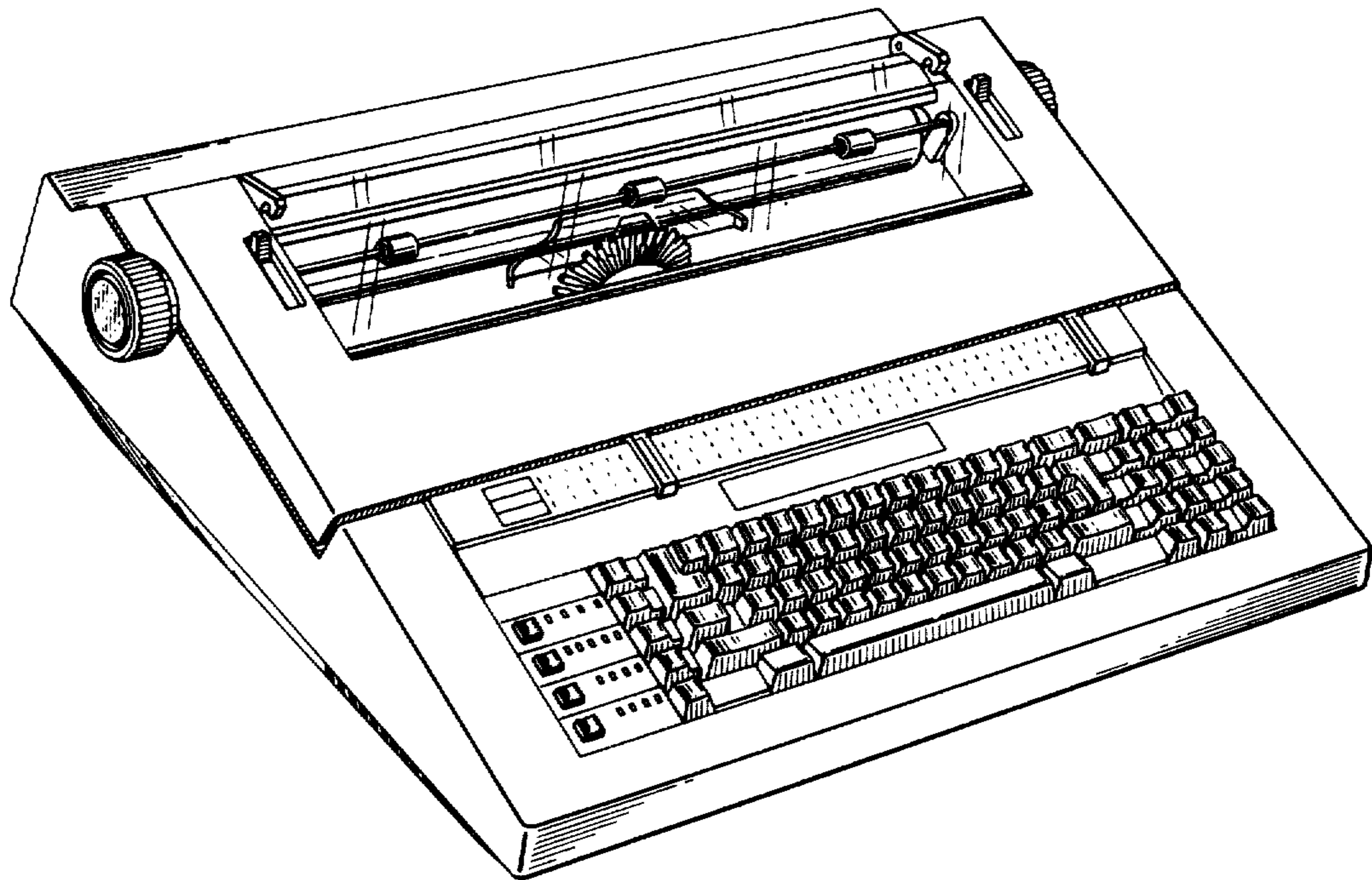
[57]

CLAIM

The ornamental design for a typewriter, as shown and described.

DESCRIPTION

FIG. 1 is a front perspective view of a typewriter showing my new design;
 FIG. 2 is a top plan view thereof;
 FIG. 3 is a front elevational view thereof;
 FIG. 4 is a rear elevational view thereof;
 FIG. 5 is a bottom plan view thereof;
 FIG. 6 is a right side elevational view thereof; and
 FIG. 7 is a left side elevational view thereof.



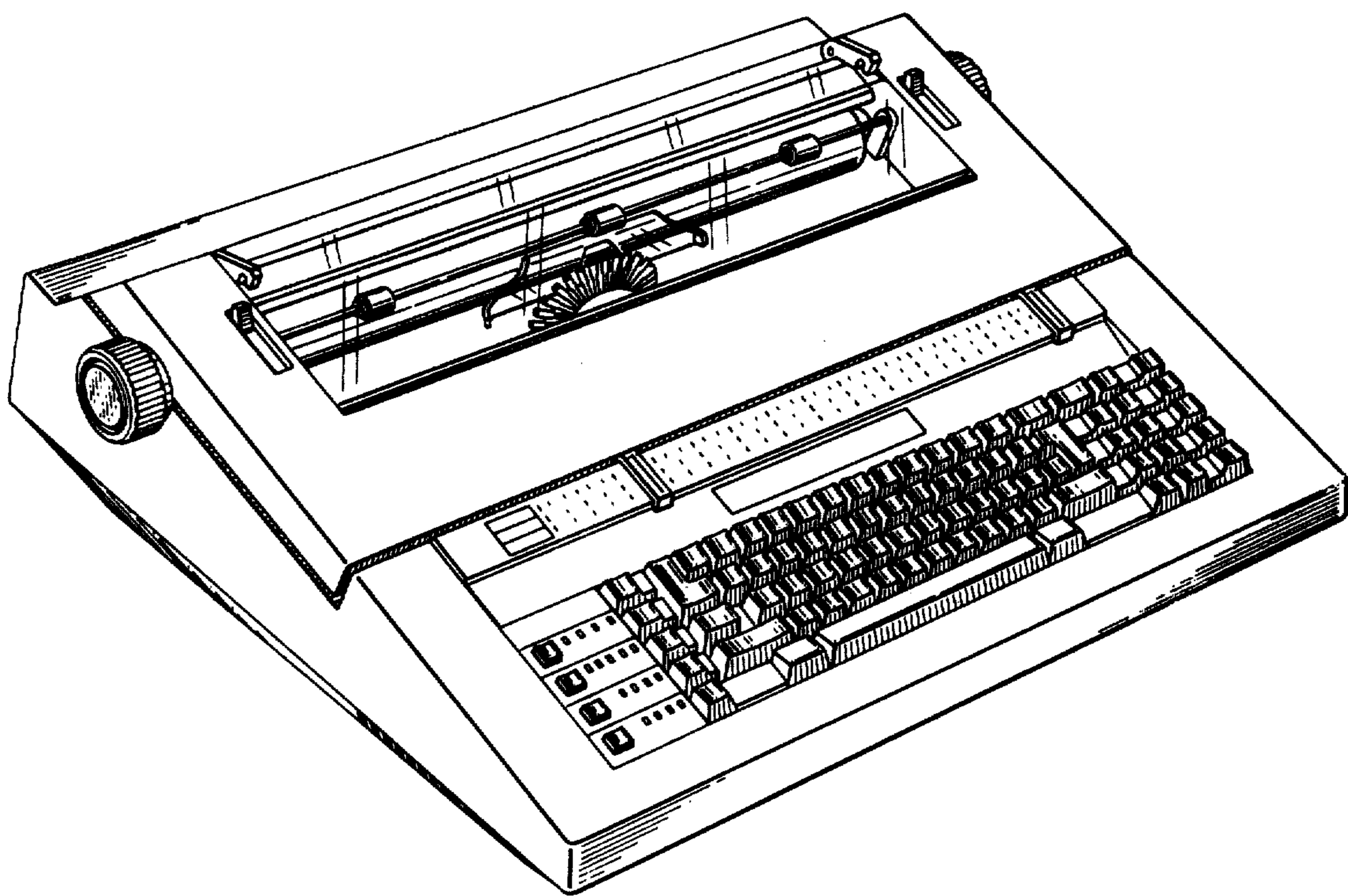


Fig. 1

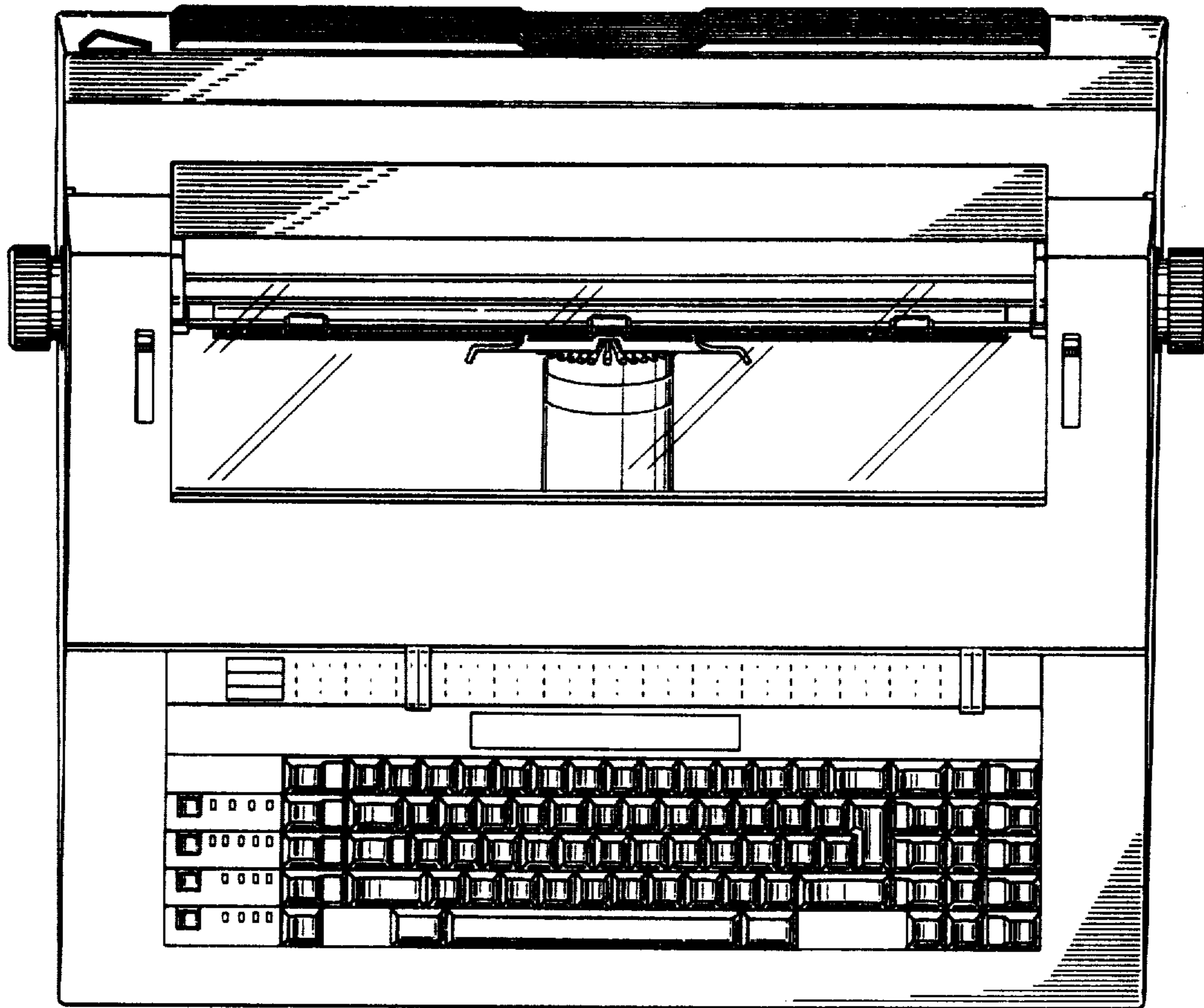


Fig. 2

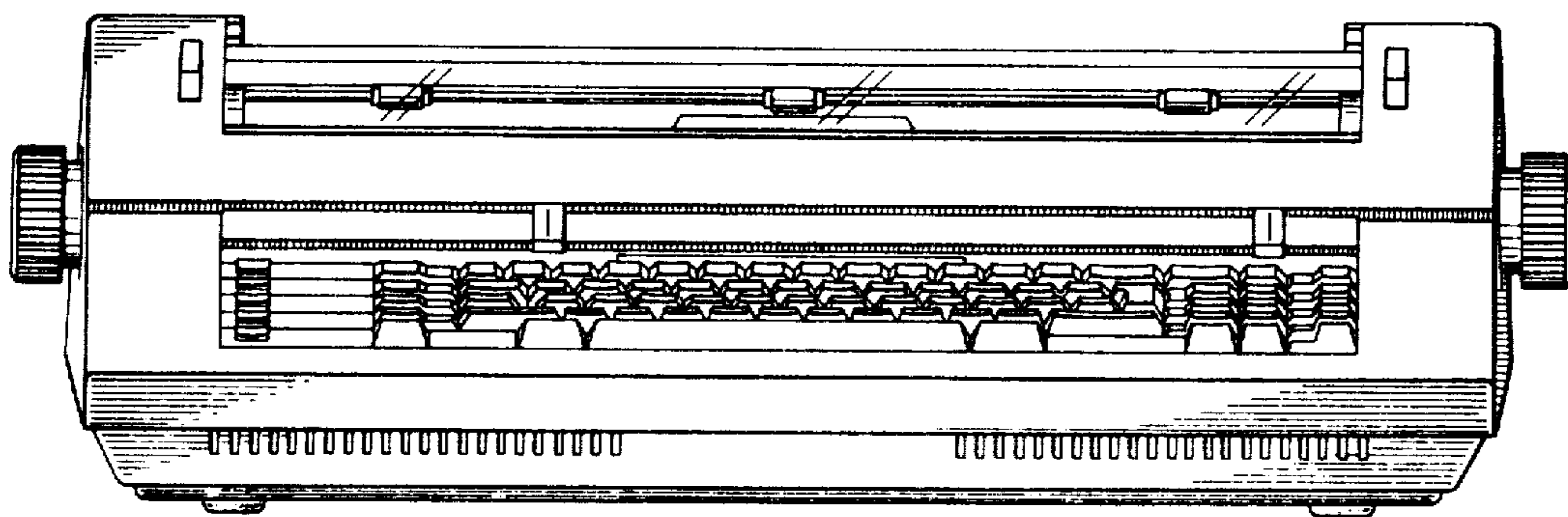


Fig. 3

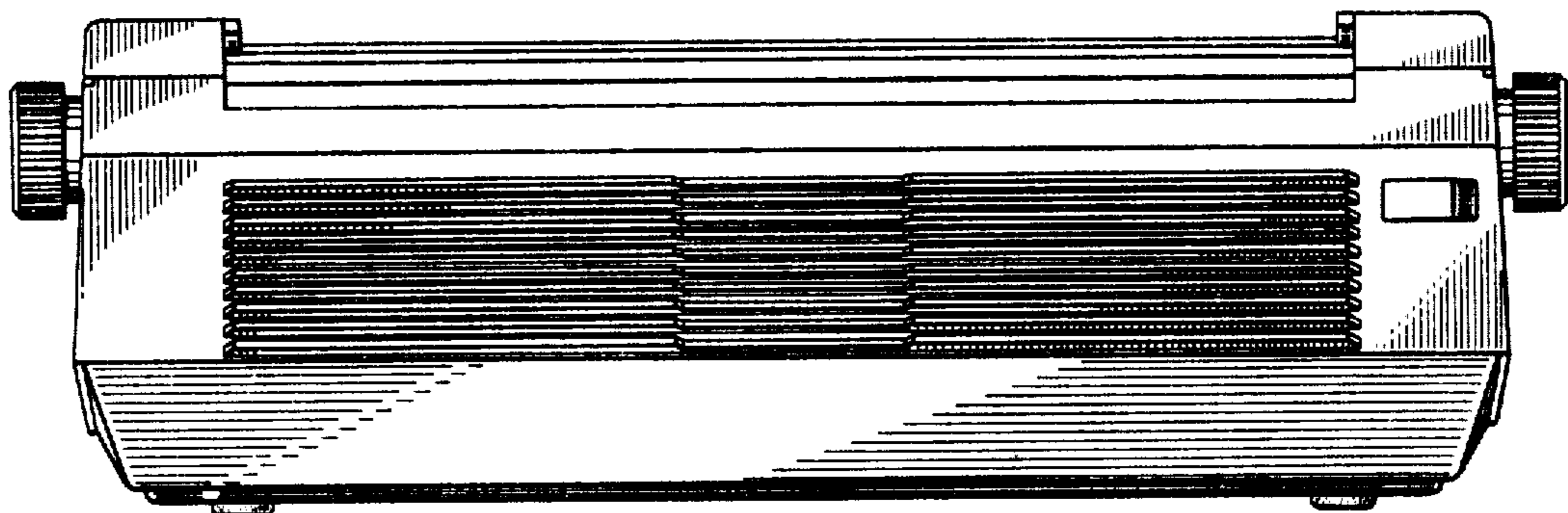


Fig. 4

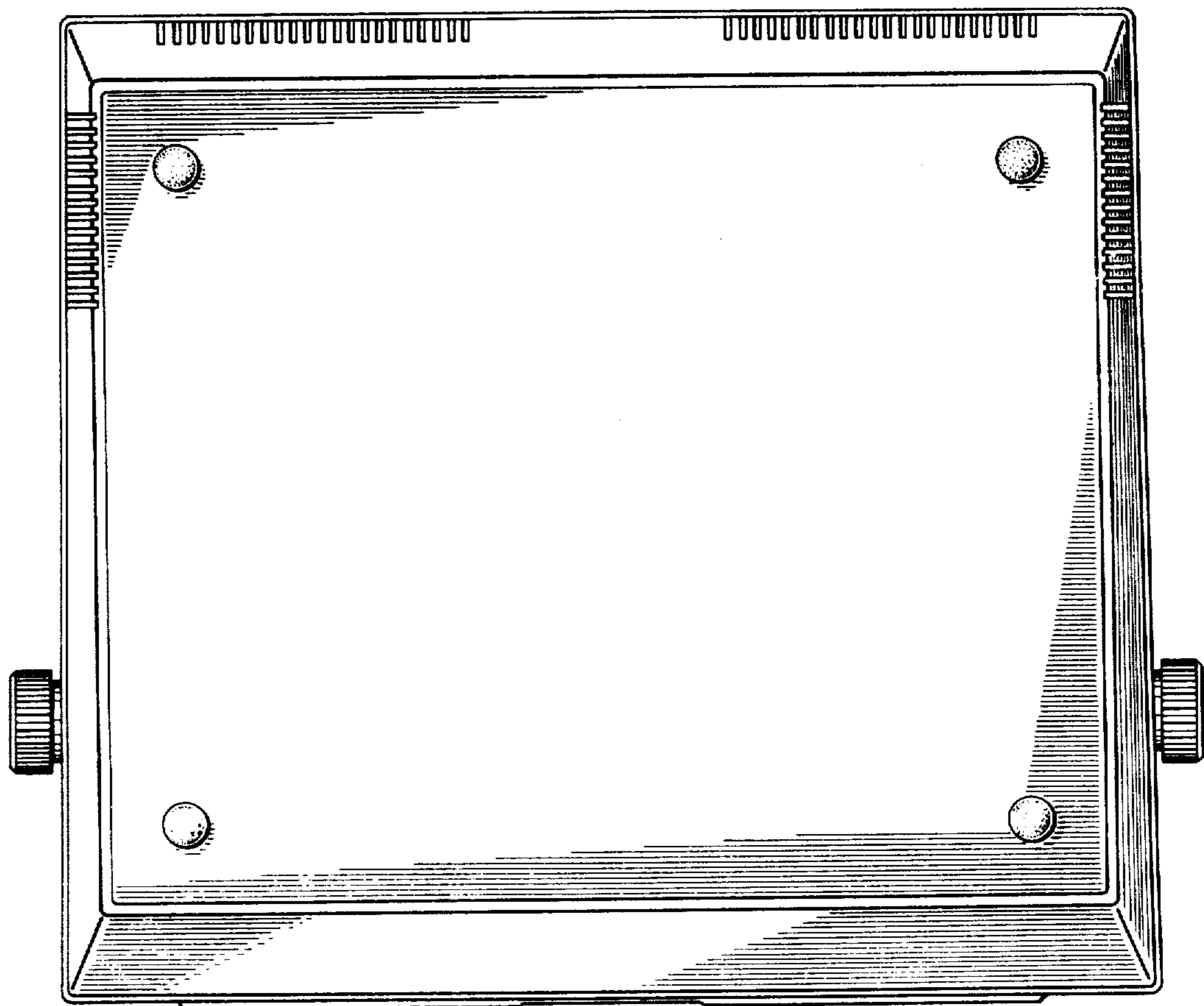


Fig. 5

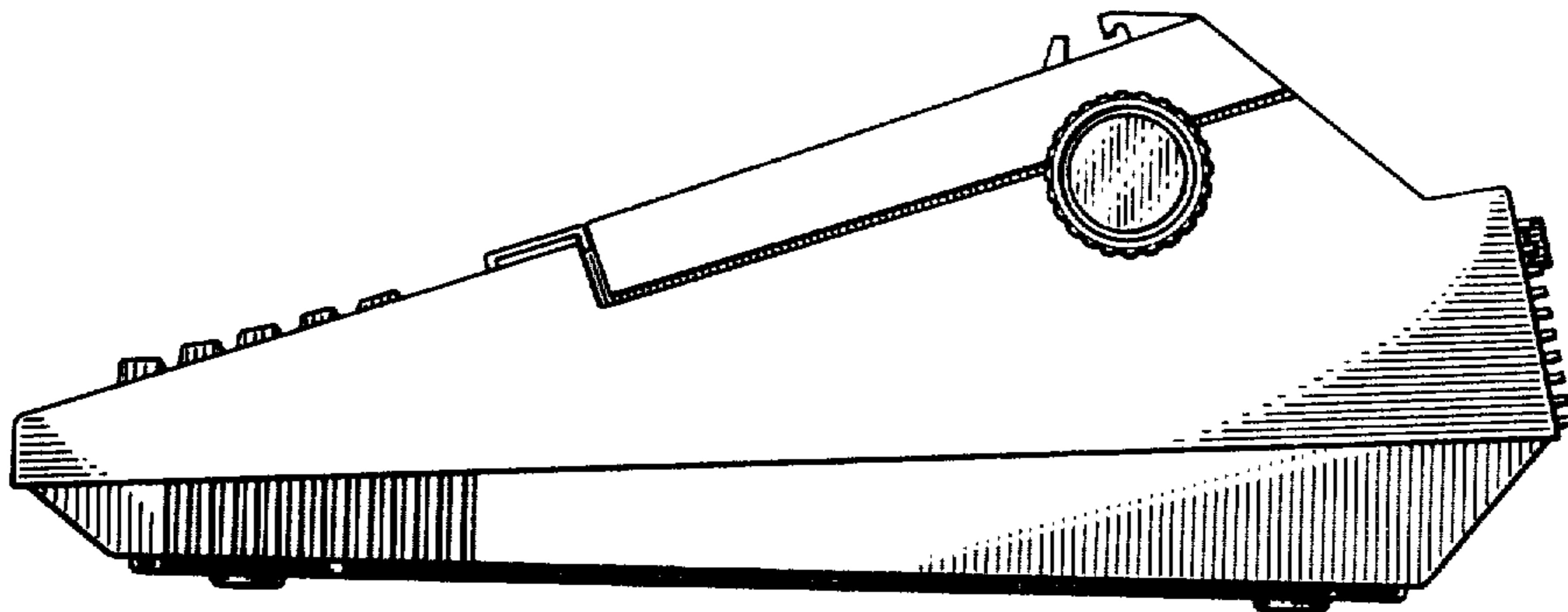


Fig. 6

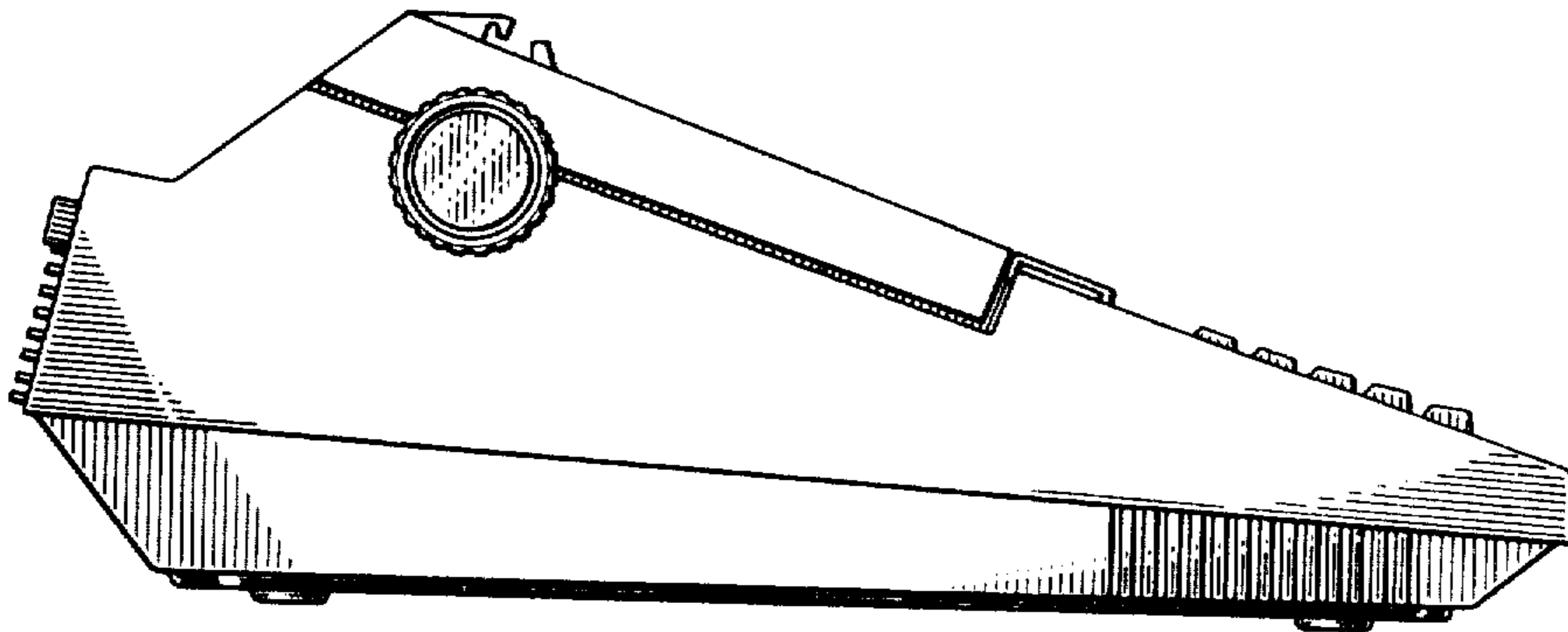


Fig. 7