

[54] ORIGINAL FEEDER FOR COPYING MACHINE

[75] Inventors: Kunio Hara, Chiba; Shigeki Yasutani, Kashiwa, both of Japan

[73] Assignee: Tokyo Shibaura Denki Kabushiki Kaisha, Japan

[**] Term: 14 Years

[21] Appl. No.: 284,134

[22] Filed: Jul. 16, 1981

[30] Foreign Application Priority Data

Jan. 19, 1981 [JP] Japan 56-1003

[51] Int. Cl. D16-03

[52] U.S. Cl. D16/32

[58] Field of Search D16/27, 32; 355/3 SH, 355/14 SH; 271/3.1, 4, 9, 171

[56] References Cited

U.S. PATENT DOCUMENTS

- D. 230,085 1/1974 Allis D16/32
- D. 234,005 12/1974 Yagi D16/27
- D. 263,962 4/1982 Kurozumi D16/32
- D. 267,565 1/1983 Fossella D16/32
- D. 277,034 5/1973 Derby D16/27
- 4,203,585 5/1980 Kunz 271/4

- 4,279,504 7/1981 Brown 355/3 SH X
- 4,285,512 8/1981 Shlatz 355/3 SH X
- 4,365,889 12/1982 Silverberg 271/DIG. 9

FOREIGN PATENT DOCUMENTS

- 519879 9/1979 Japan .
- 519880 9/1979 Japan .
- 543223 8/1980 Japan .

Primary Examiner—Nelson C. Holtje
Attorney, Agent, or Firm—Finnegan, Henderson, Farabow, Garrett & Dunner

[57] CLAIM

An ornamental design for an original feeder for copying machine, substantially as shown and described.

DESCRIPTION

FIG. 1 is a perspective view of an original feeder for copying machine showing our new design; FIG. 2 is a front elevational view thereof; FIG. 3 is a rear elevational view thereof; FIG. 4 is a top plan view thereof; FIG. 5 is a bottom plan view thereof; FIG. 6 is a right side elevational view thereof; FIG. 7 is a left side elevational view thereof; and FIG. 8 is a perspective view thereof, the broken-line showing of a copying machine is environmental only and forms no part of the claimed design.

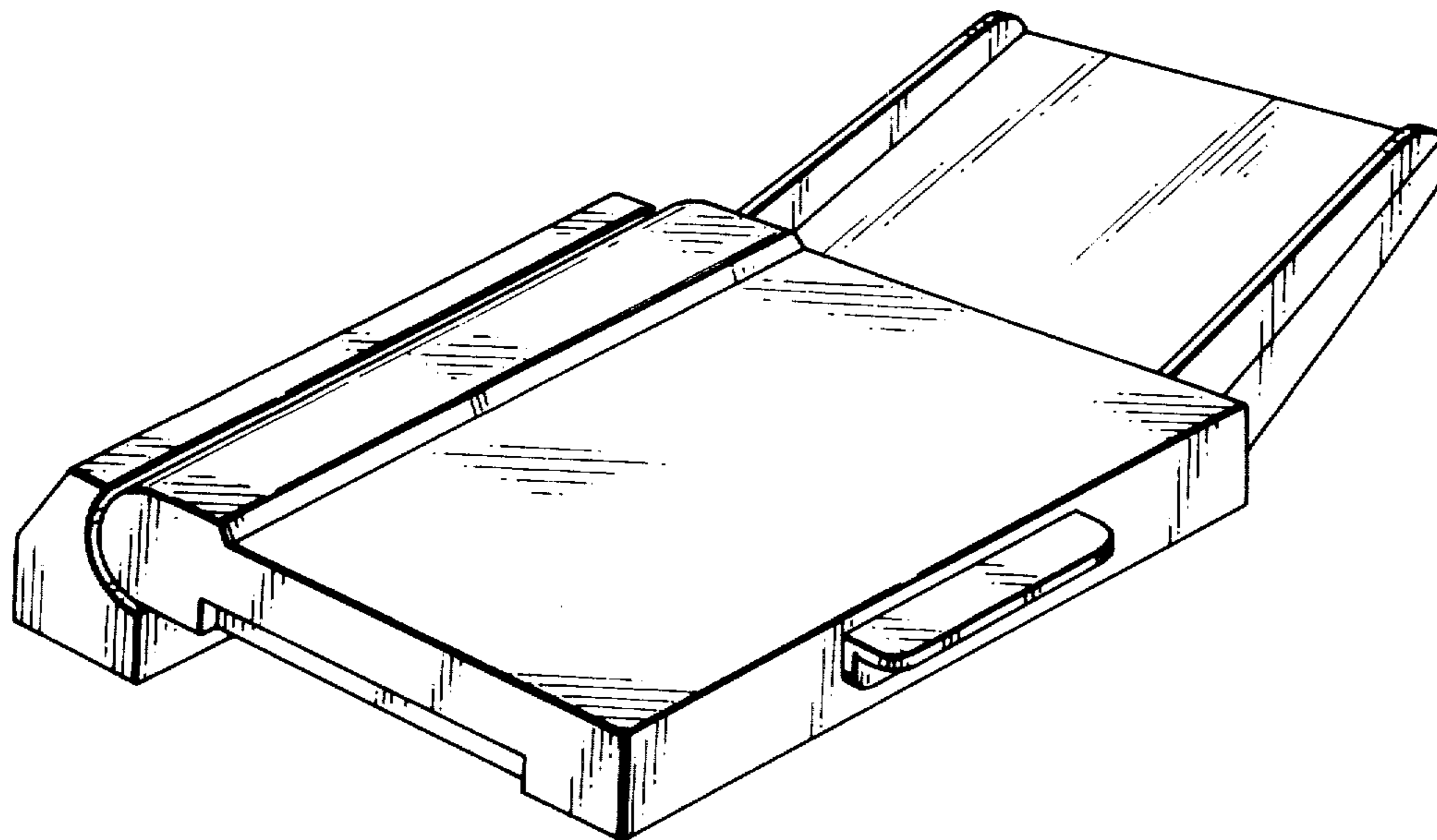


FIG. 1

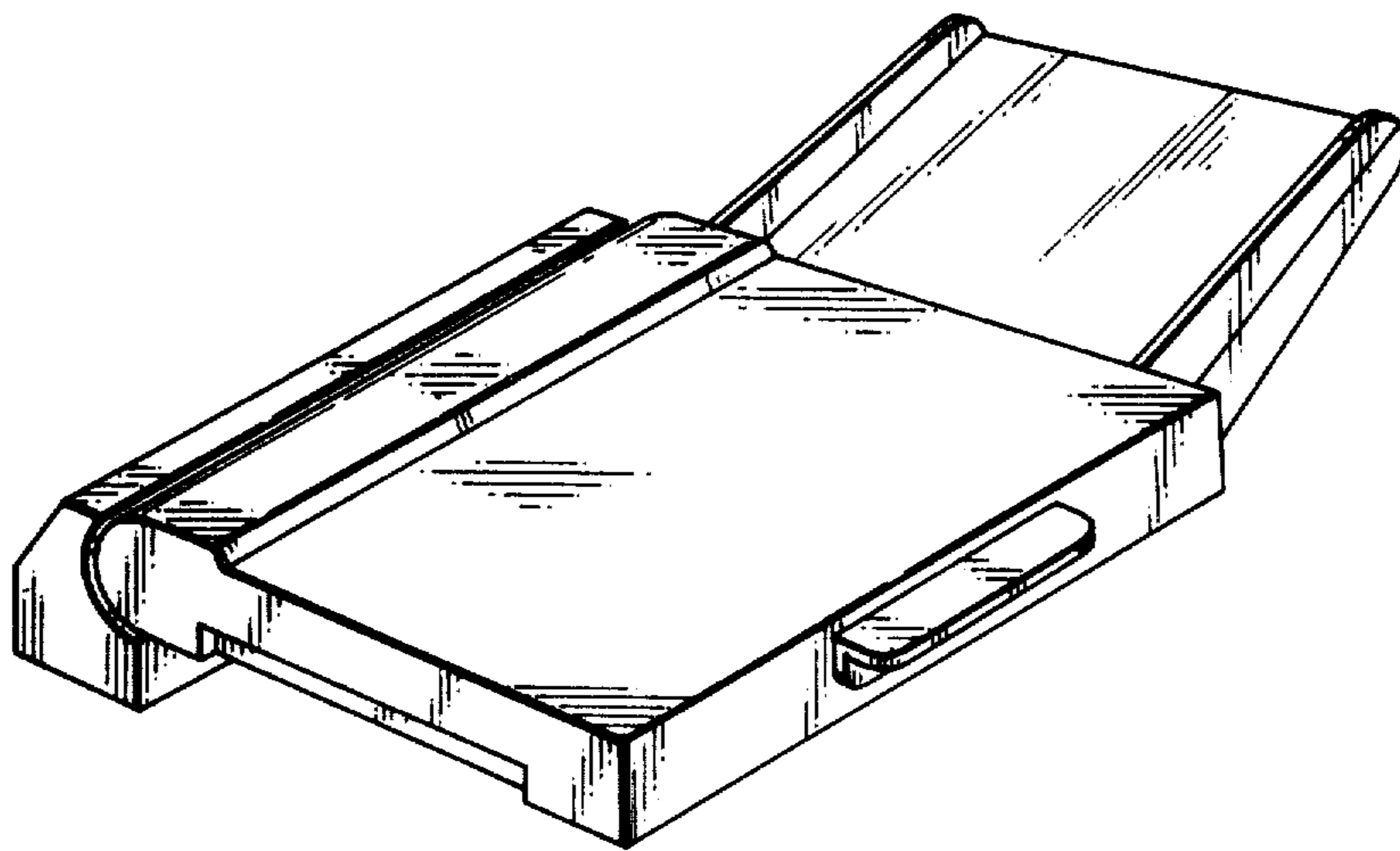


FIG. 2

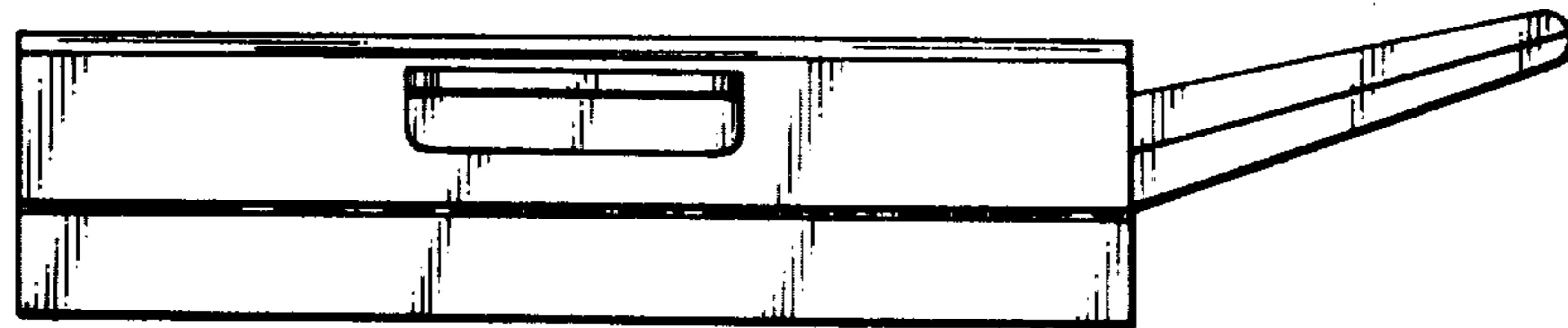


FIG. 3

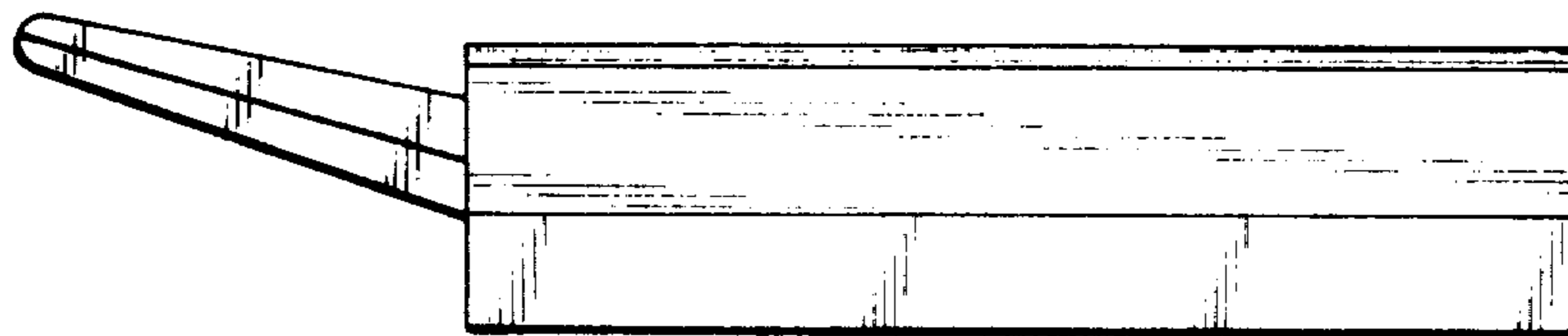


FIG. 4

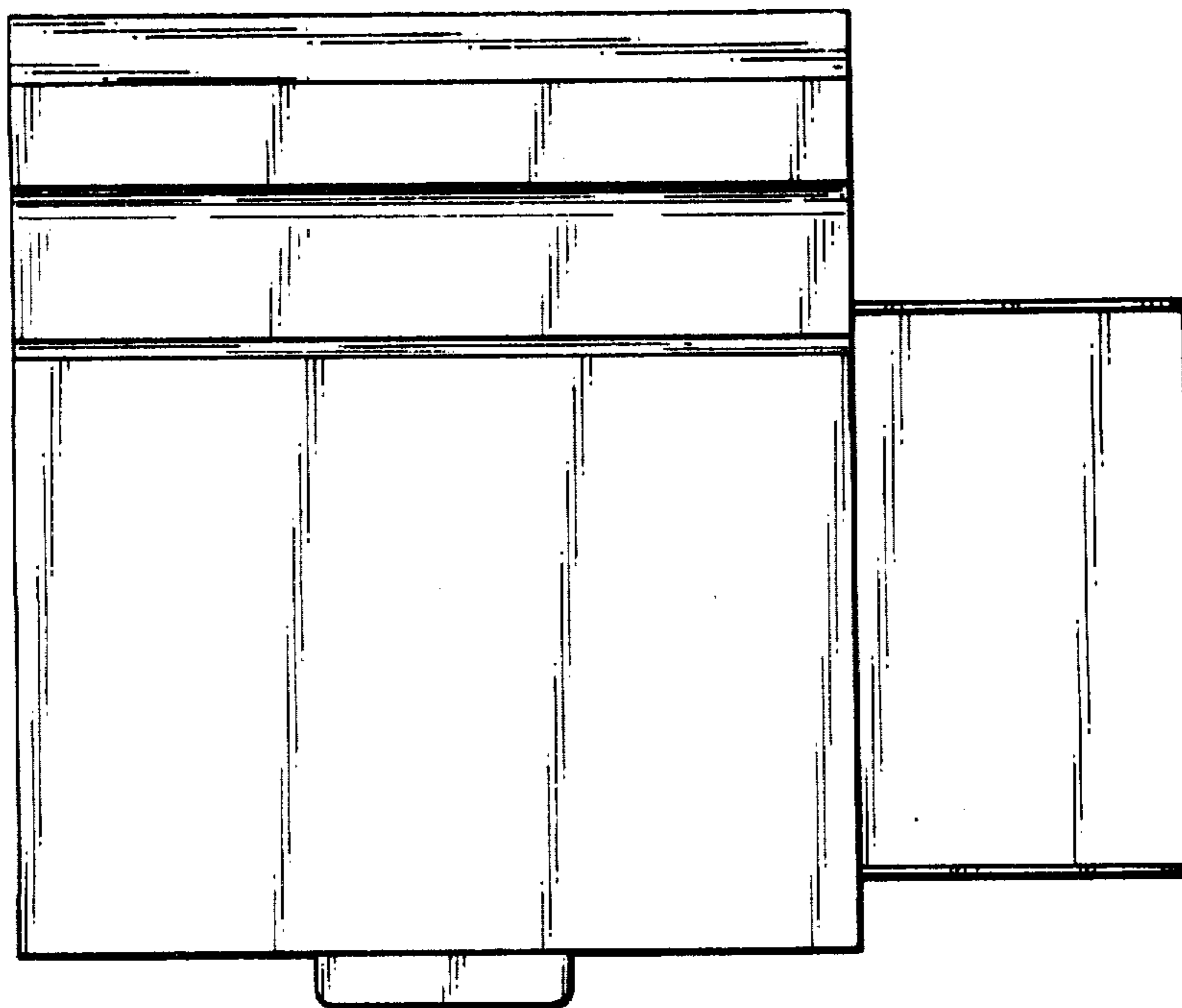


FIG. 5

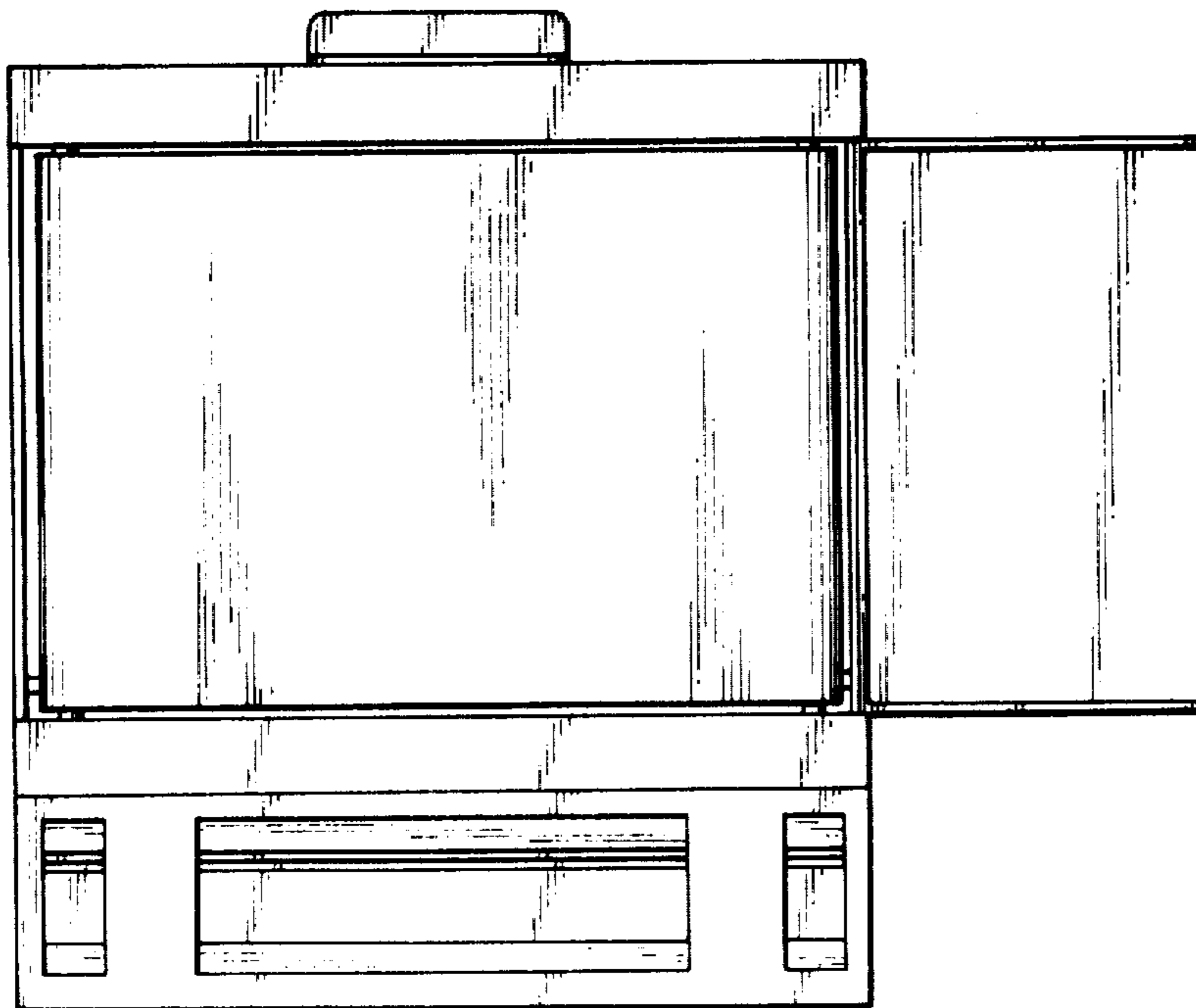


FIG. 6

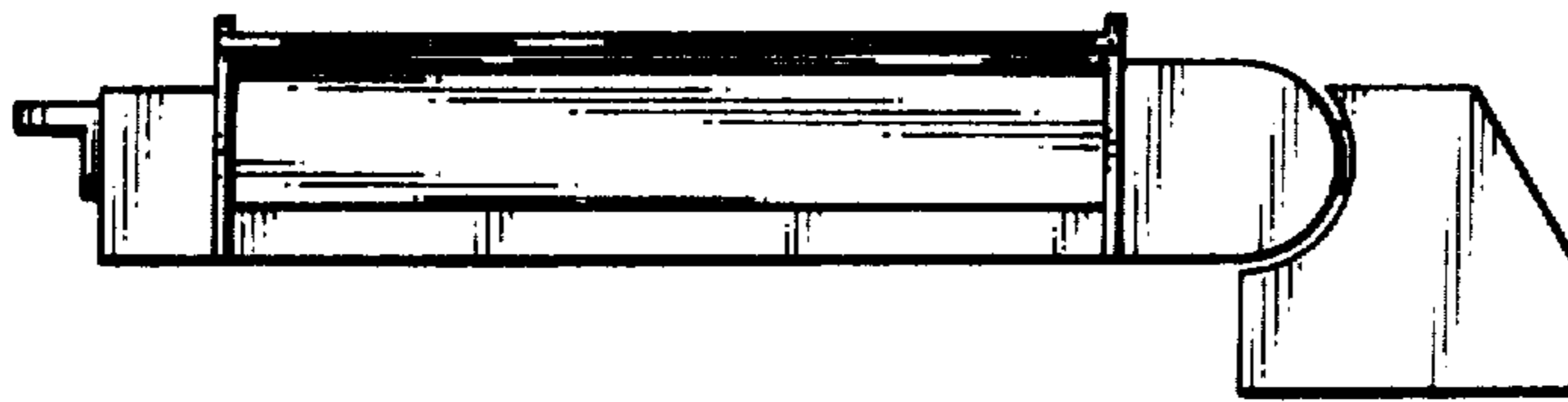


FIG. 7

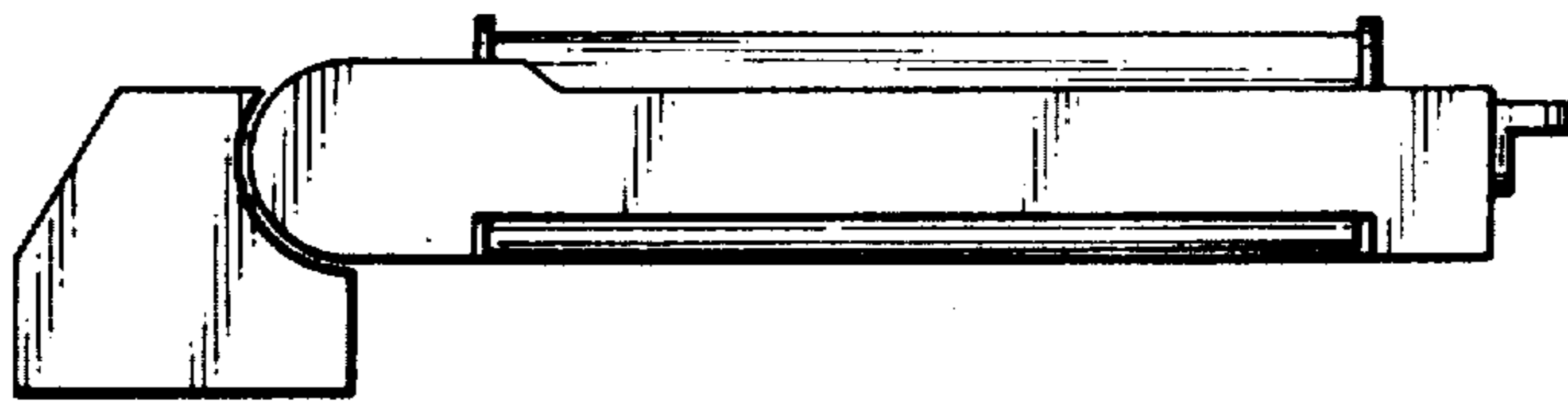


FIG. 8

