

[54] CAMERA  
 [75] Inventor: Takaharu Kato, Tokyo, Japan  
 [73] Assignee: Ricoh Company, Ltd., Japan  
 [\*\*] Term: 14 Years  
 [21] Appl. No.: 323,030  
 [22] Filed: Nov. 19, 1981  
 [30] Foreign Application Priority Data  
 May 22, 1981 [JP] Japan ..... 56-22040  
 [51] Int. Cl. .... D16-01  
 [52] U.S. Cl. .... D16/8  
 [58] Field of Search ..... D16/1, 2, 6, 8, 9;  
 354/124-126, 152-158, 202, 208, 23 R, 60 R

3,451,322 6/1969 Noda ..... 354/275 X  
 4,179,206 12/1979 Tezuka ..... 354/152  
 4,331,405 5/1982 Yamamoto ..... 354/126

OTHER PUBLICATIONS

*Photography*-9/82-p. 49-Ricoh Cameras at top.  
*Chinon CE-4 Memotron Flyer*-7/79-Camera on cover.

*Primary Examiner*-Nelson C. Holtje  
*Attorney, Agent, or Firm*-Guy W. Shoup

[57] CLAIM

The ornamental design for a camera, as shown and described.

DESCRIPTION

FIG. 1 is a front elevational view of a camera showing my new design;  
 FIG. 2 is a top plan view thereof;  
 FIG. 3 is a right side elevational view thereof;  
 FIG. 4 is a left side elevational view thereof;  
 FIG. 5 is a rear elevational view thereof; and  
 FIG. 6 is a bottom plan view thereof.

[56] References Cited  
 U.S. PATENT DOCUMENTS  
 D. 223,124 3/1972 Takata ..... D16/8  
 D. 263,310 3/1982 Kato ..... D16/8  
 D. 267,955 2/1983 Kato ..... D16/8

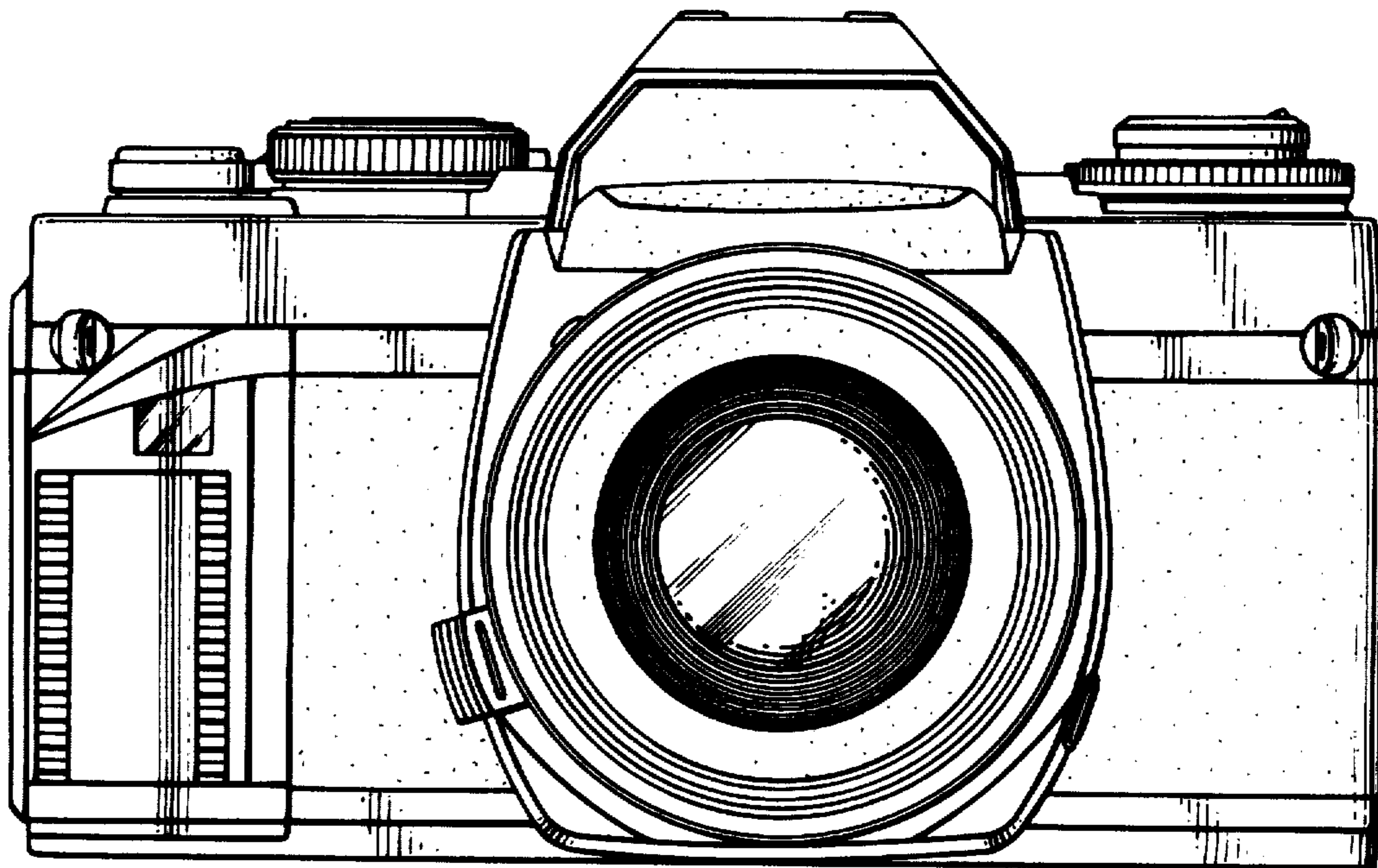


FIG. 1

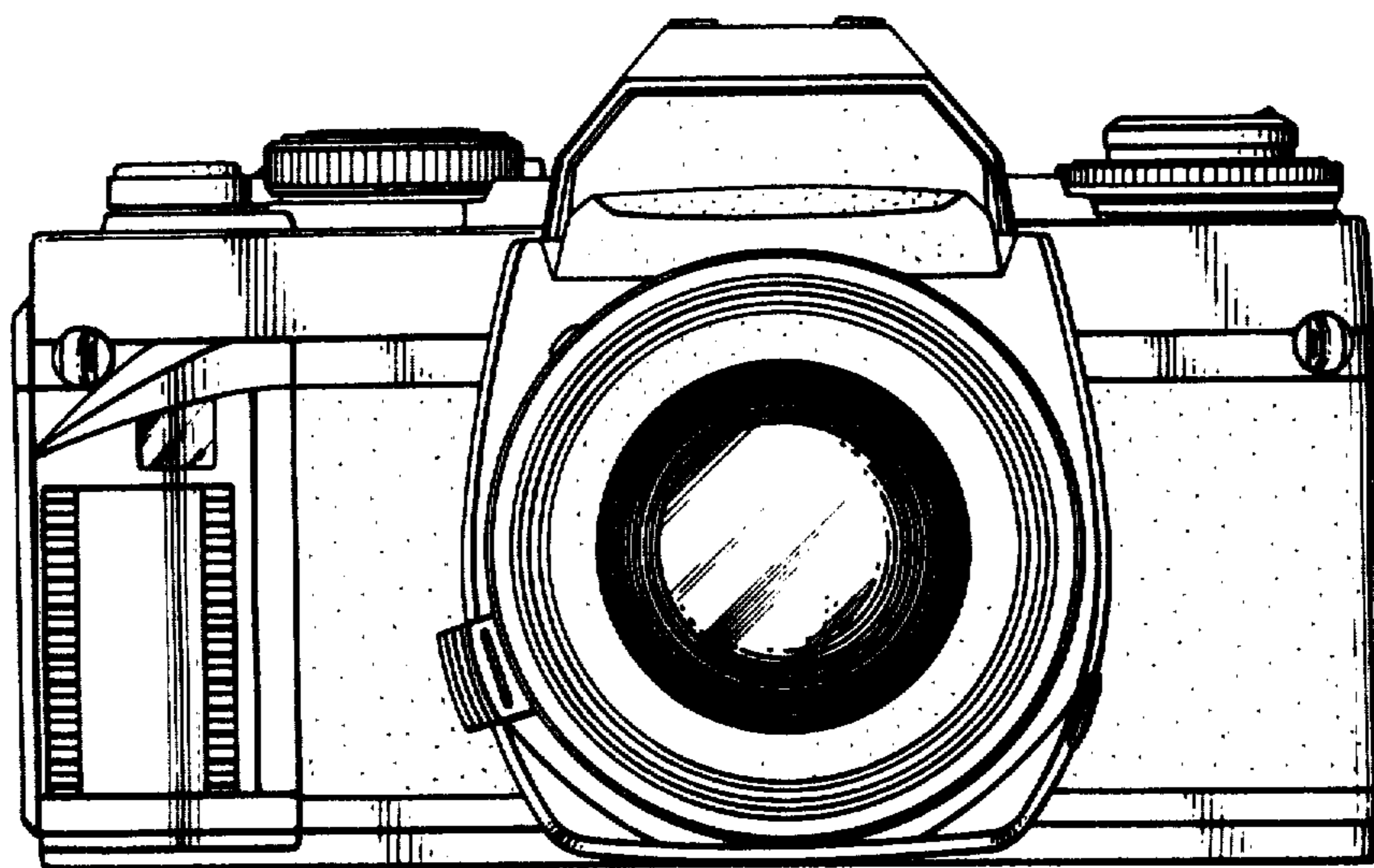


FIG. 2

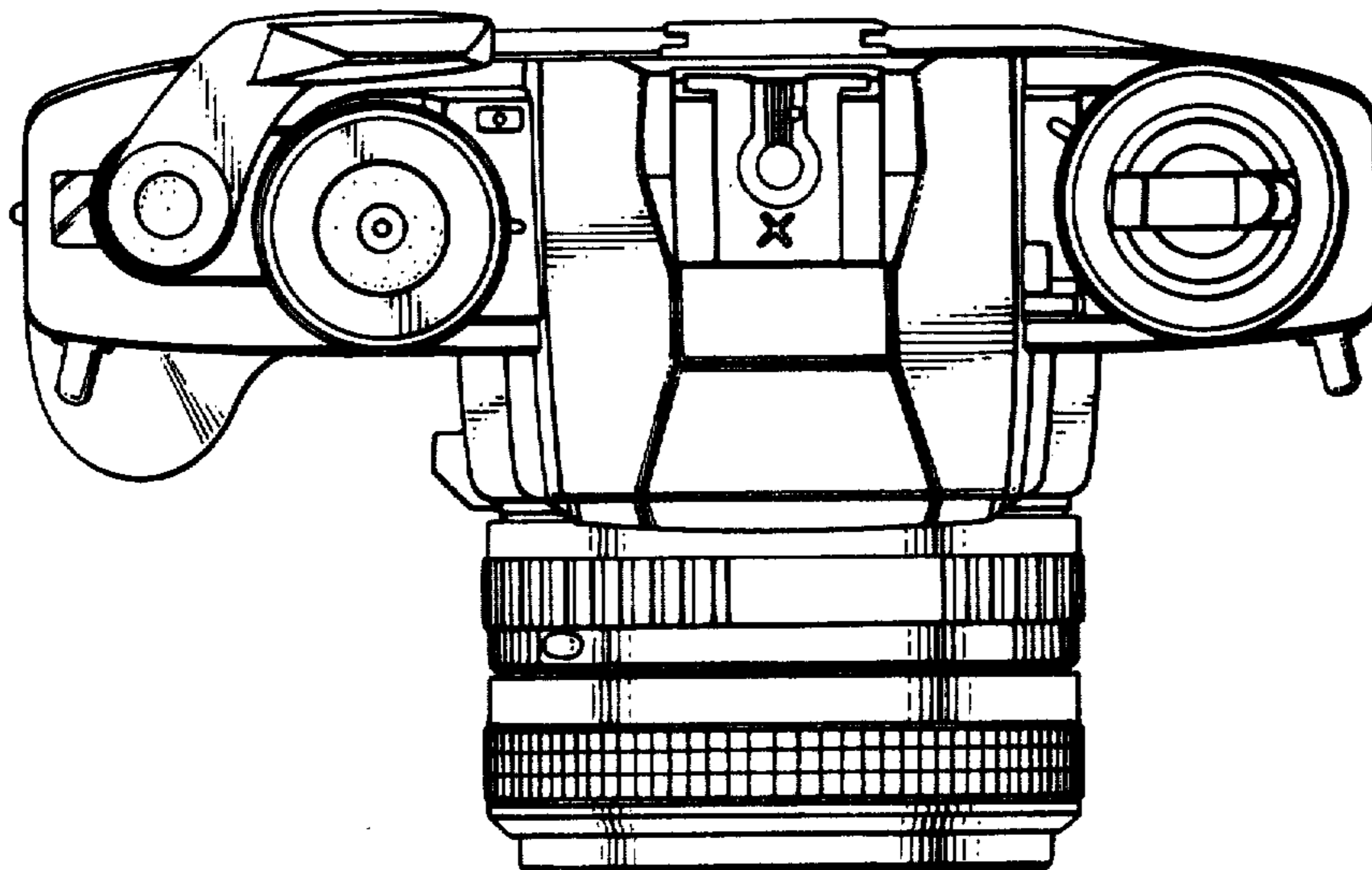


FIG. 3

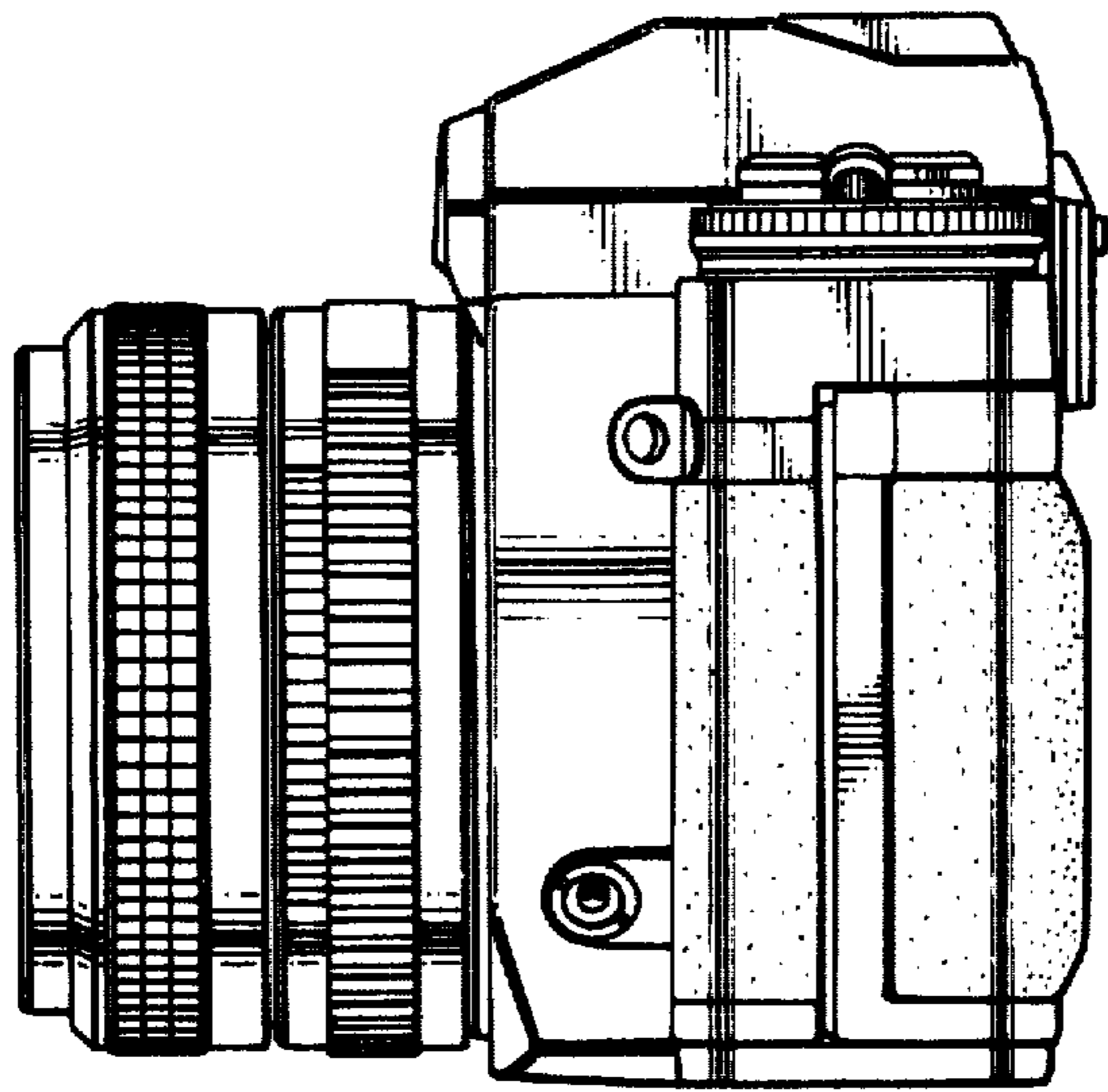


FIG. 4

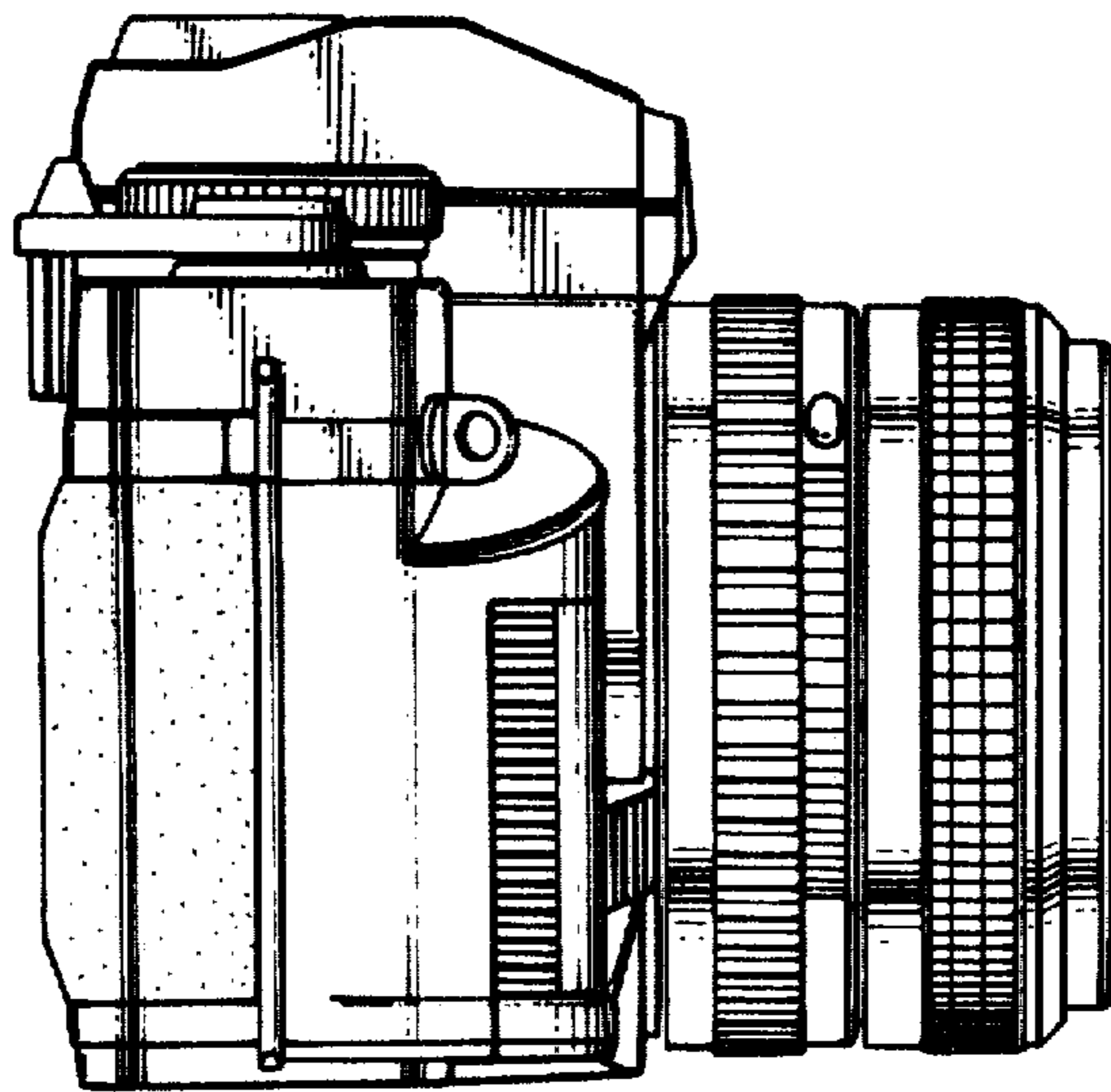


FIG. 5

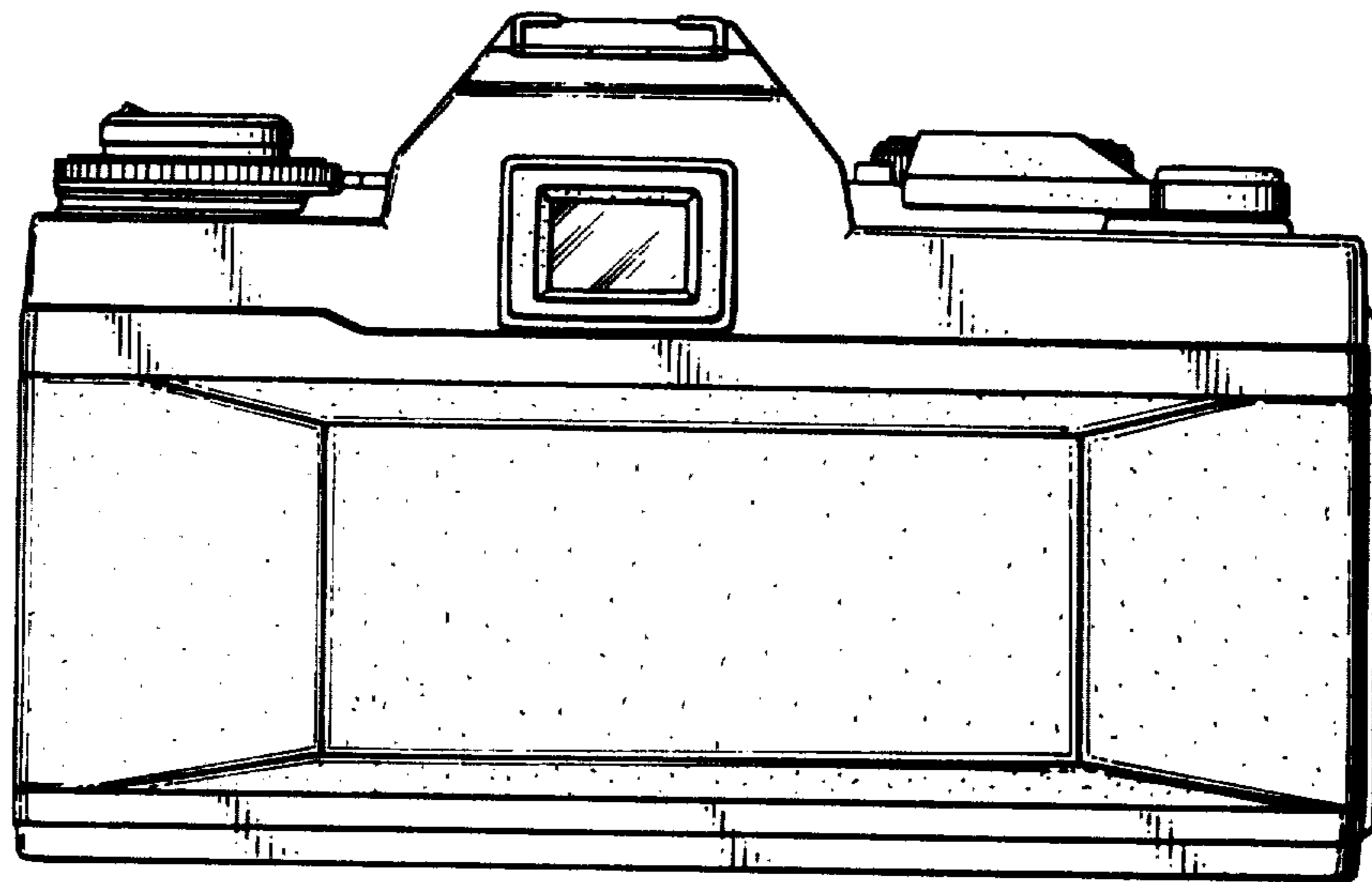


FIG. 6

