

[54] CHUCK

[76] Inventor: Hisao Negoro, 335 Oaza-Okubo Kumatori-cho, Sennan-gun, Osaka, Japan

[**] Term: 14 Years

[21] Appl. No.: 266,377

[22] Filed: May 22, 1981

[51] Int. Cl. D15-09

[52] U.S. Cl. D15/140

[58] Field of Search D15/138, 140; D8/70, D8/71; 279/1.3, 123, 1 DA, 2 R, 1 L

[56] References Cited

U.S. PATENT DOCUMENTS

D. 181,223	10/1957	Moyer	D15/140
400,459	4/1889	Ide	279/123
460,601	10/1891	Skinner	279/123
1,080,727	12/1913	Smith et al.	279/123
2,524,006	9/1950	Capellazzi	279/1.3

FOREIGN PATENT DOCUMENTS

WO80/00427 3/1980 PCT Int'l Appl. 279/1 C

OTHER PUBLICATIONS

C. A. Turner Incorp., Cat. 46, 1946, p. 279, (Skinner Independent Lathe Chucks, at top right corner, Item #1900 & 900 series).

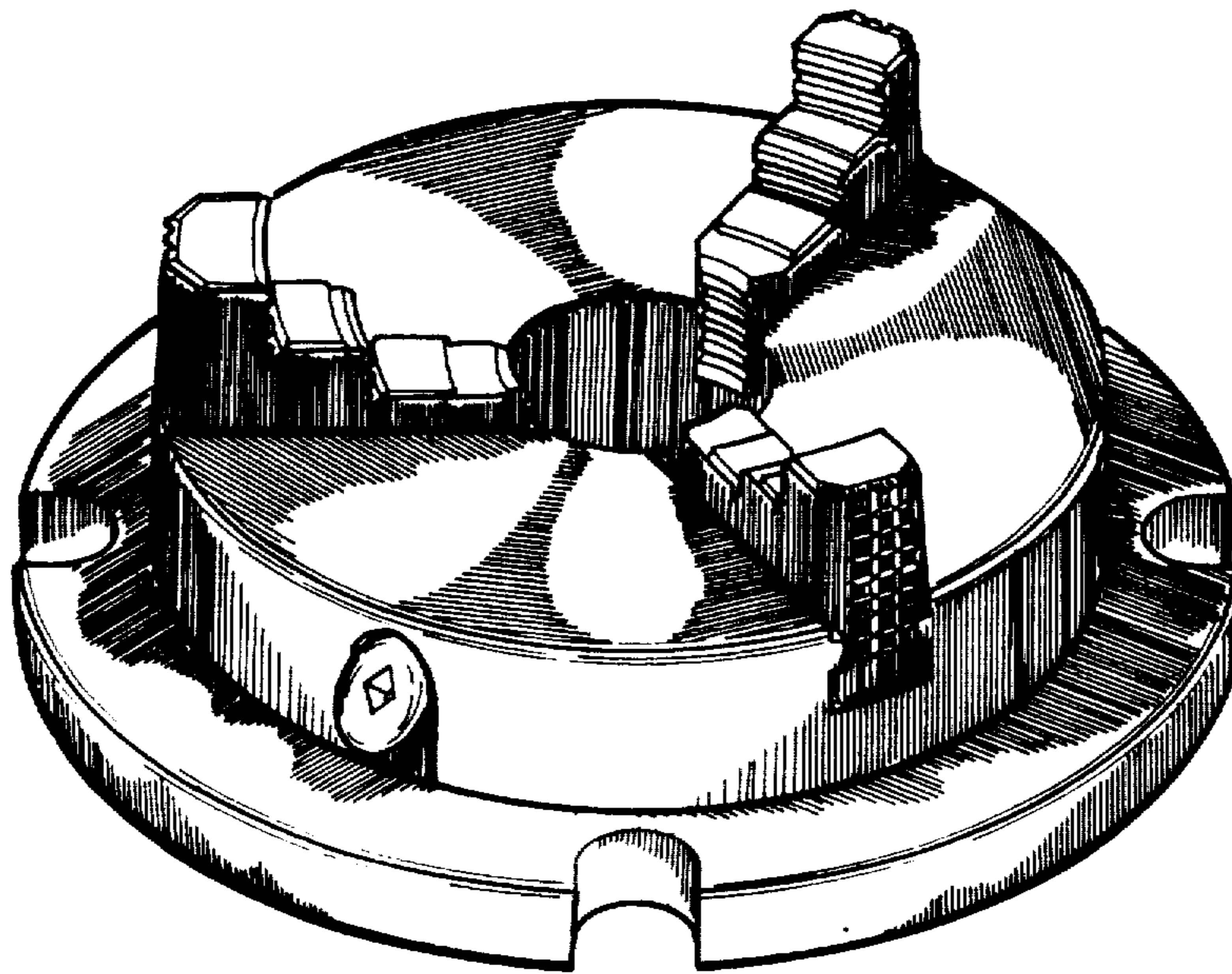
Primary Examiner—Wallace R. Burke
Assistant Examiner—Suzanne N. Gitlin
Attorney, Agent, or Firm—Browdy and Neimark

[57] CLAIM

The ornamental design for a chuck, as shown and described.

DESCRIPTION

FIG. 1 is a perspective view of a chuck, showing my new design;
FIG. 2 is a front elevational view thereof;
FIG. 3 is a back elevational view thereof;
FIG. 4 is a top plan view thereof;
FIG. 5 is a bottom plan view thereof;
FIG. 6 is a right side elevational view thereof.



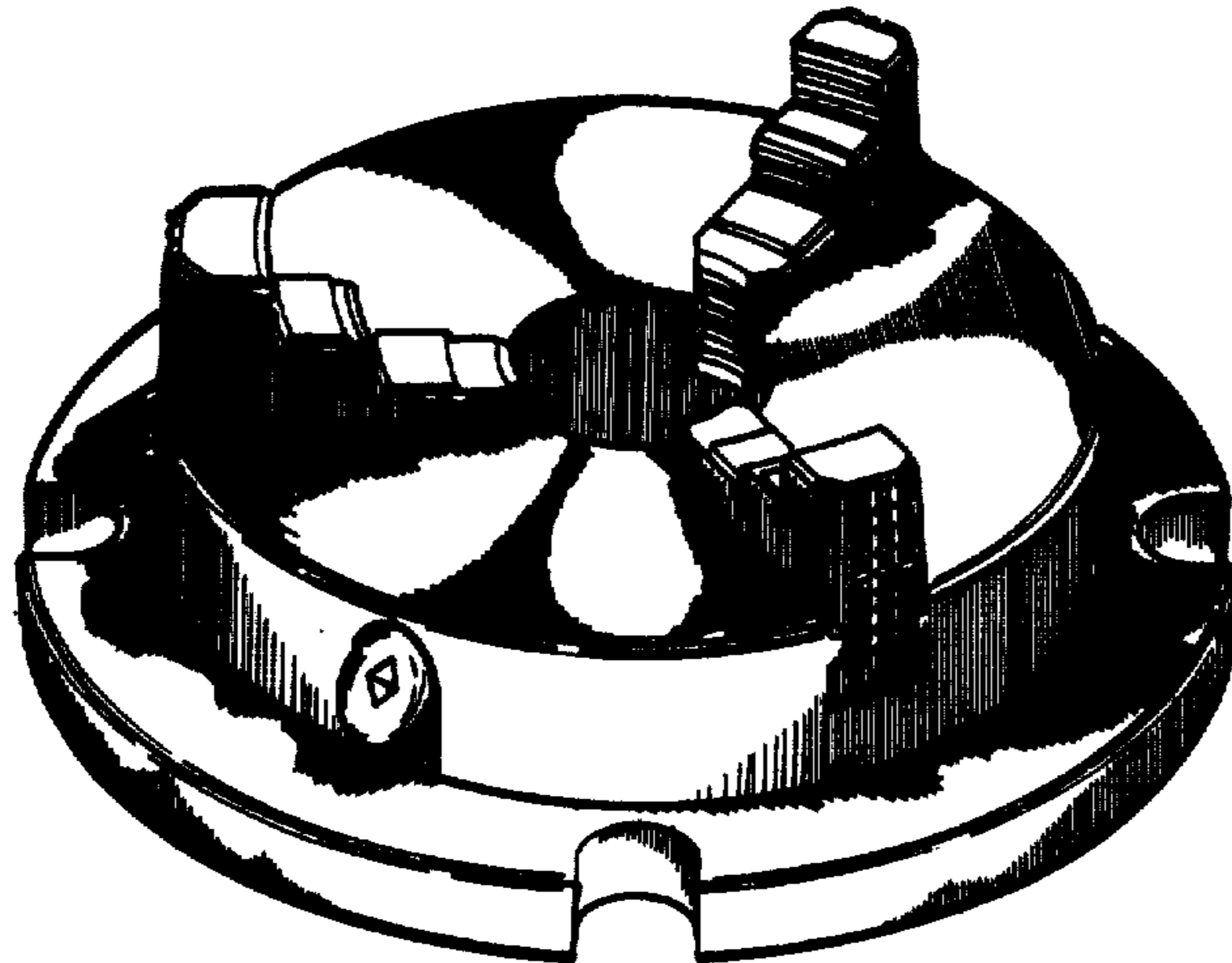


FIG. 1

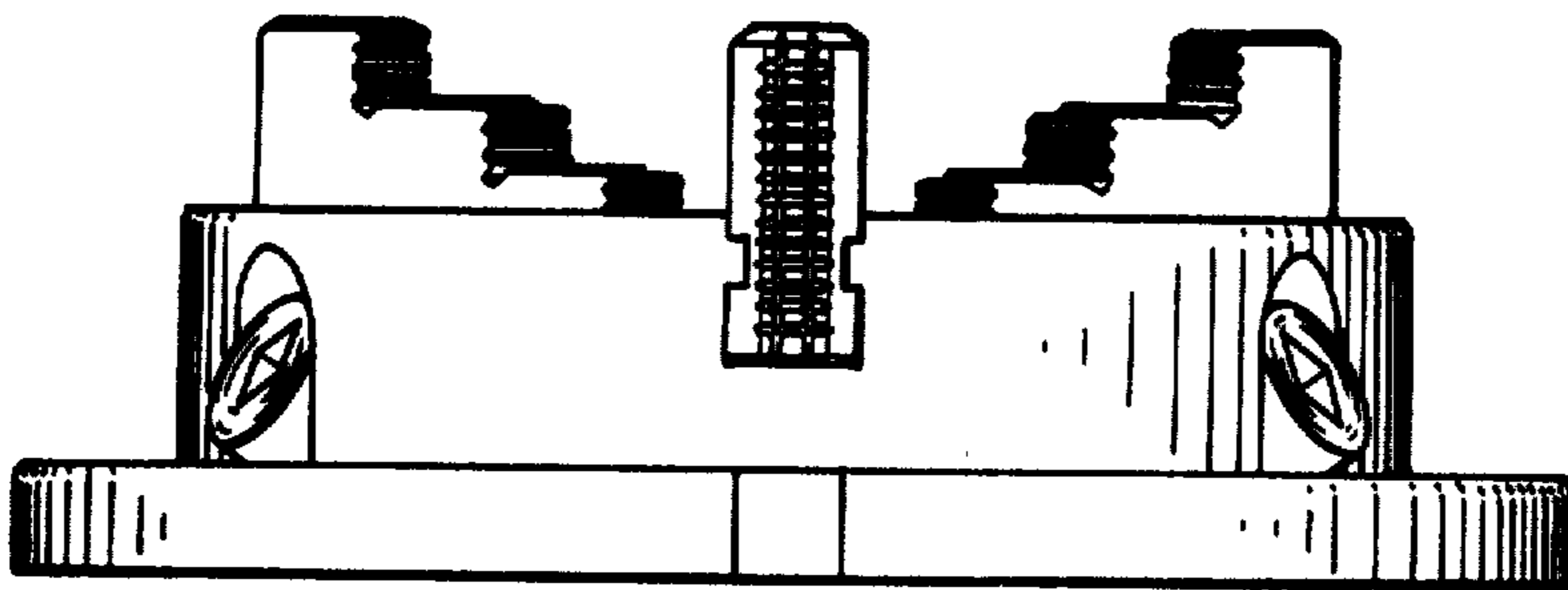


FIG. 2

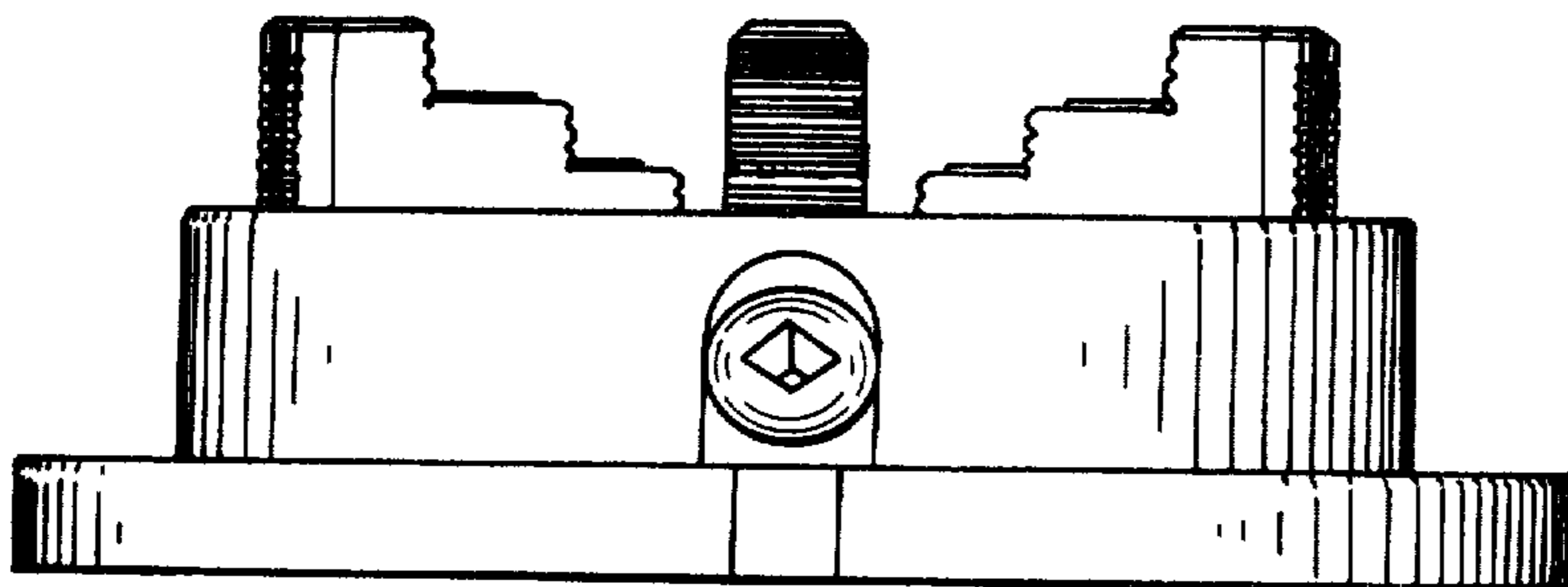


FIG. 3

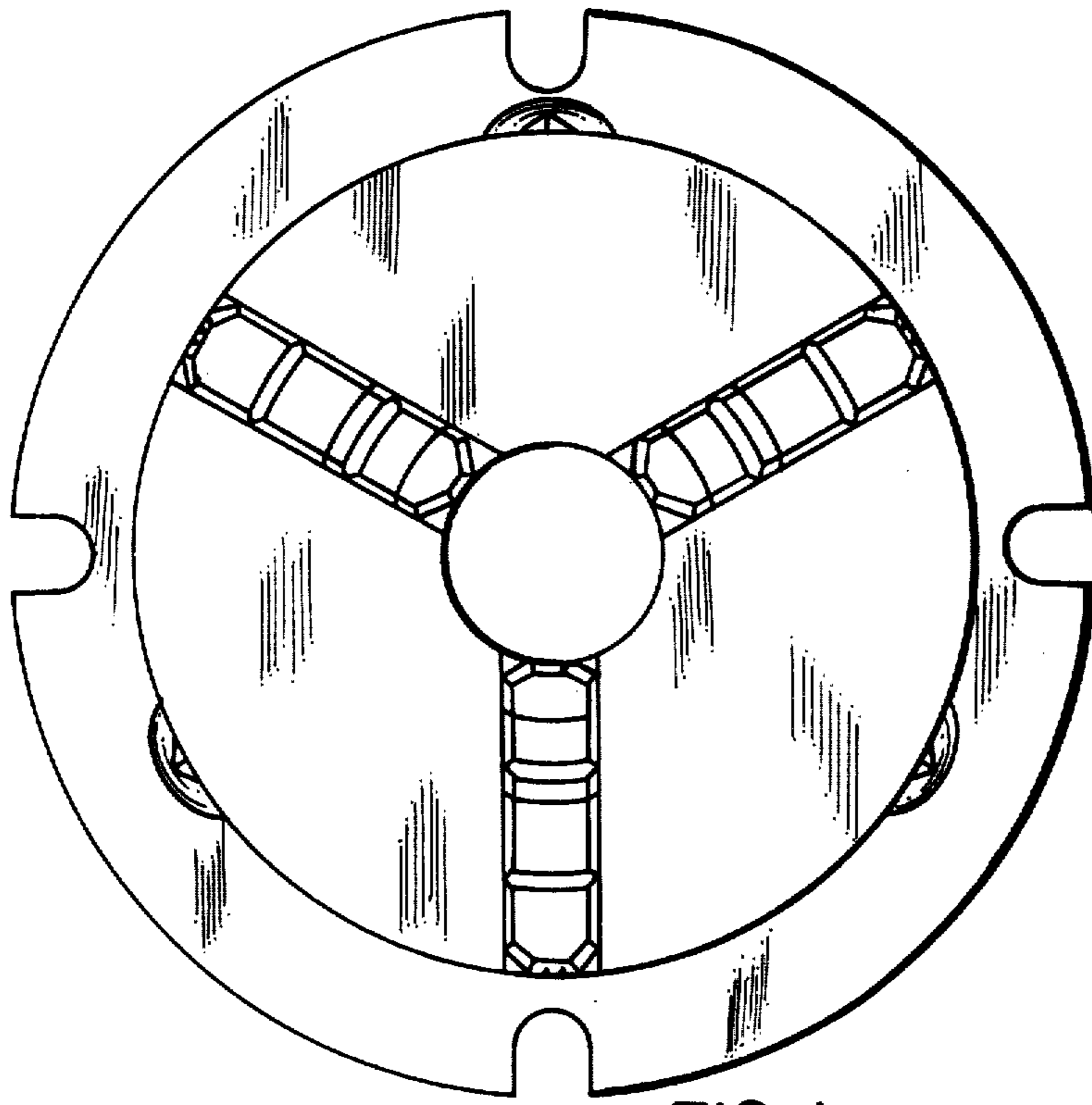


FIG. 4

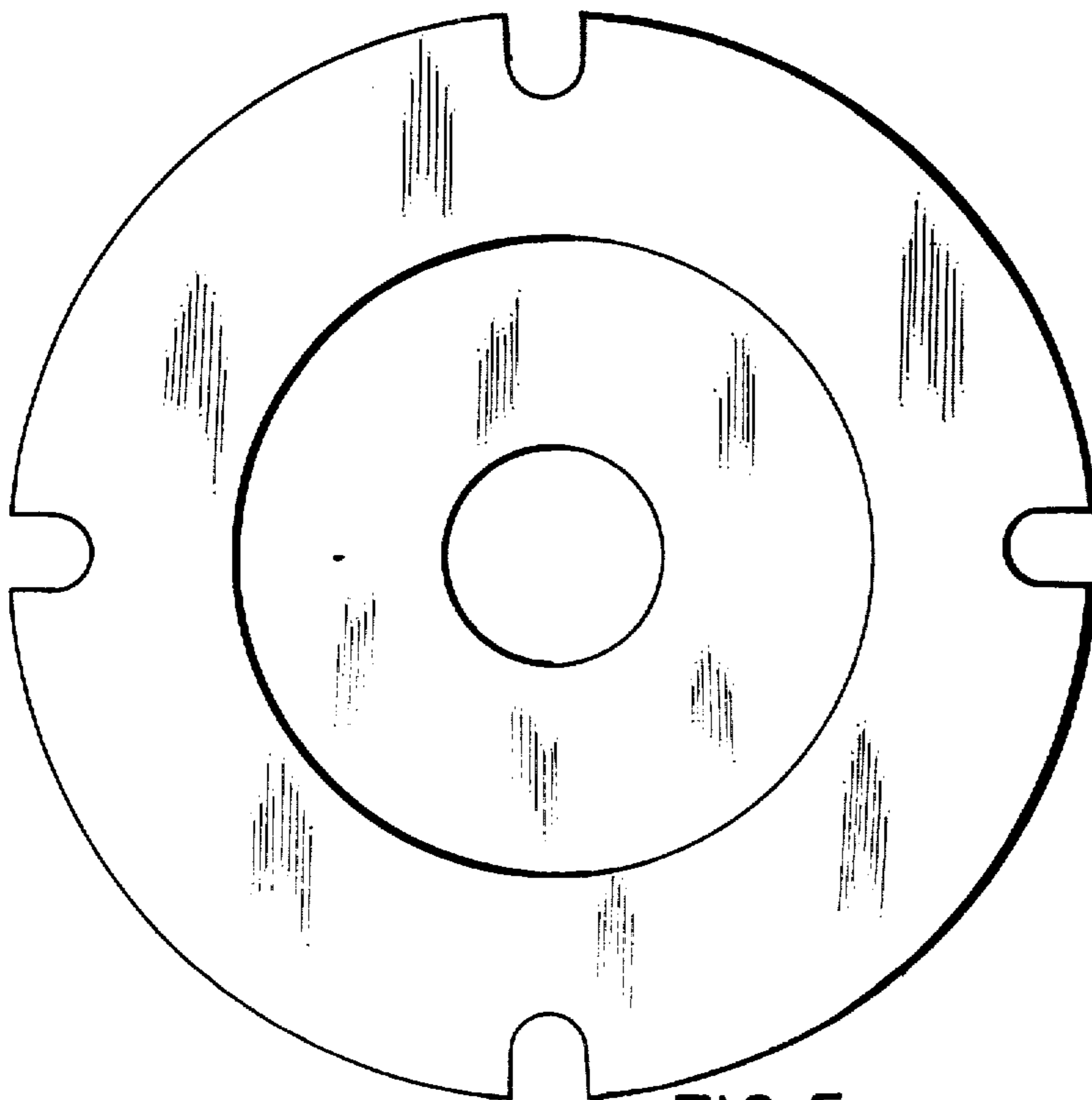


FIG. 5

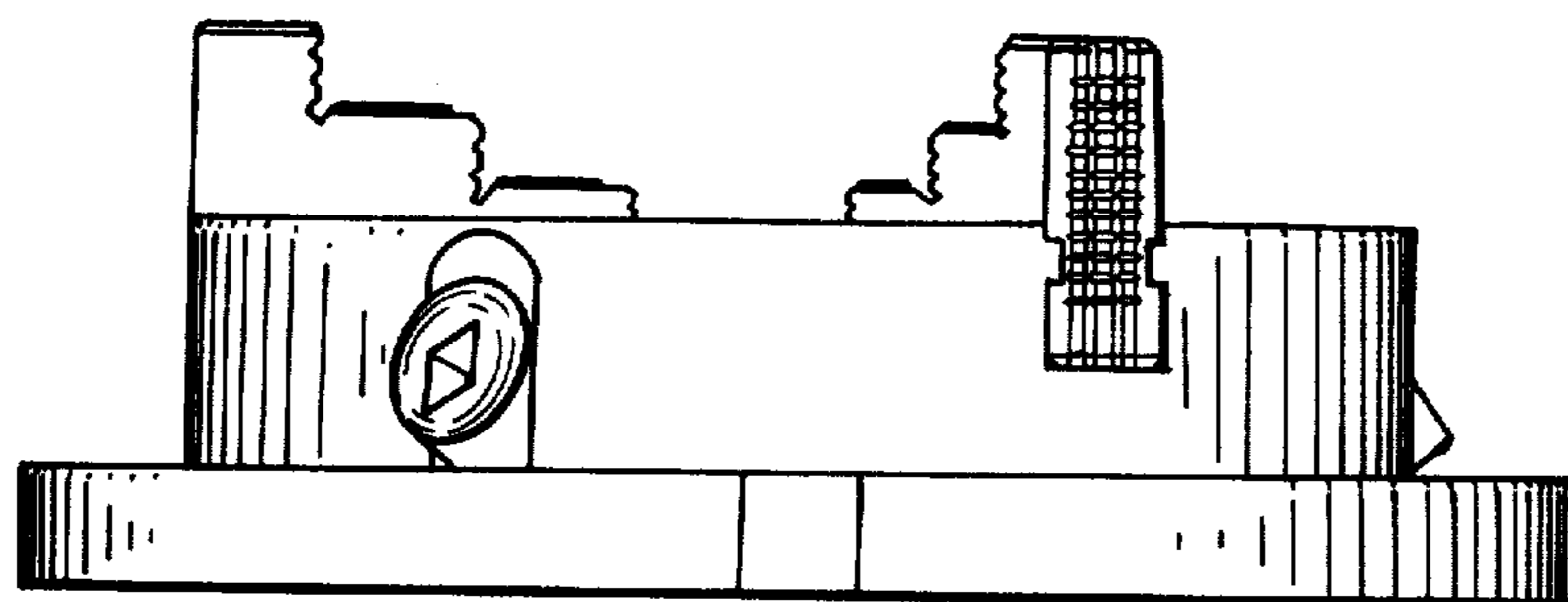


FIG. 6