

[54] RADIO APPARATUS

[75] Inventor: Michael J. McGourty, Littleport, England

[73] Assignee: Pye (Electronic Products) Limited, Cambridge, England

[**] Term: 14 Years

[21] Appl. No.: 353,700

[22] Filed: Mar. 1, 1982

Related U.S. Application Data

[62] Division of Ser. No. 10,878, Feb. 9, 1979, Pat. No. Des. 264,969.

[30] Foreign Application Priority Data

Aug. 11, 1978 [GB] United Kingdom 985888
Aug. 11, 1978 [GB] United Kingdom 985889

[51] Int. Cl. D14-03

[52] U.S. Cl. D14/71; D14/95;
D14/96; D14/68

[58] Field of Search D14/95, 96, 68, 71;
179/2 EB, 2 E, 100 R; 325/16, 111, 110;
D13/5, 6

[56] References Cited

U.S. PATENT DOCUMENTS

D. 193,344 8/1962 Lessner D14/95
D. 244,697 6/1977 Tokiyama D14/95 X
D. 251,730 5/1979 Root et al. D14/95 X
D. 256,241 8/1980 Ota D14/96 X
D. 259,565 6/1981 Watanabe D14/96
4,122,304 10/1978 Mallien 179/2 EB

OTHER PUBLICATIONS

Radio Shack Cat. No. 289, ©1977, p. 158, Base Station Transceiver, Item No. 21-1540.

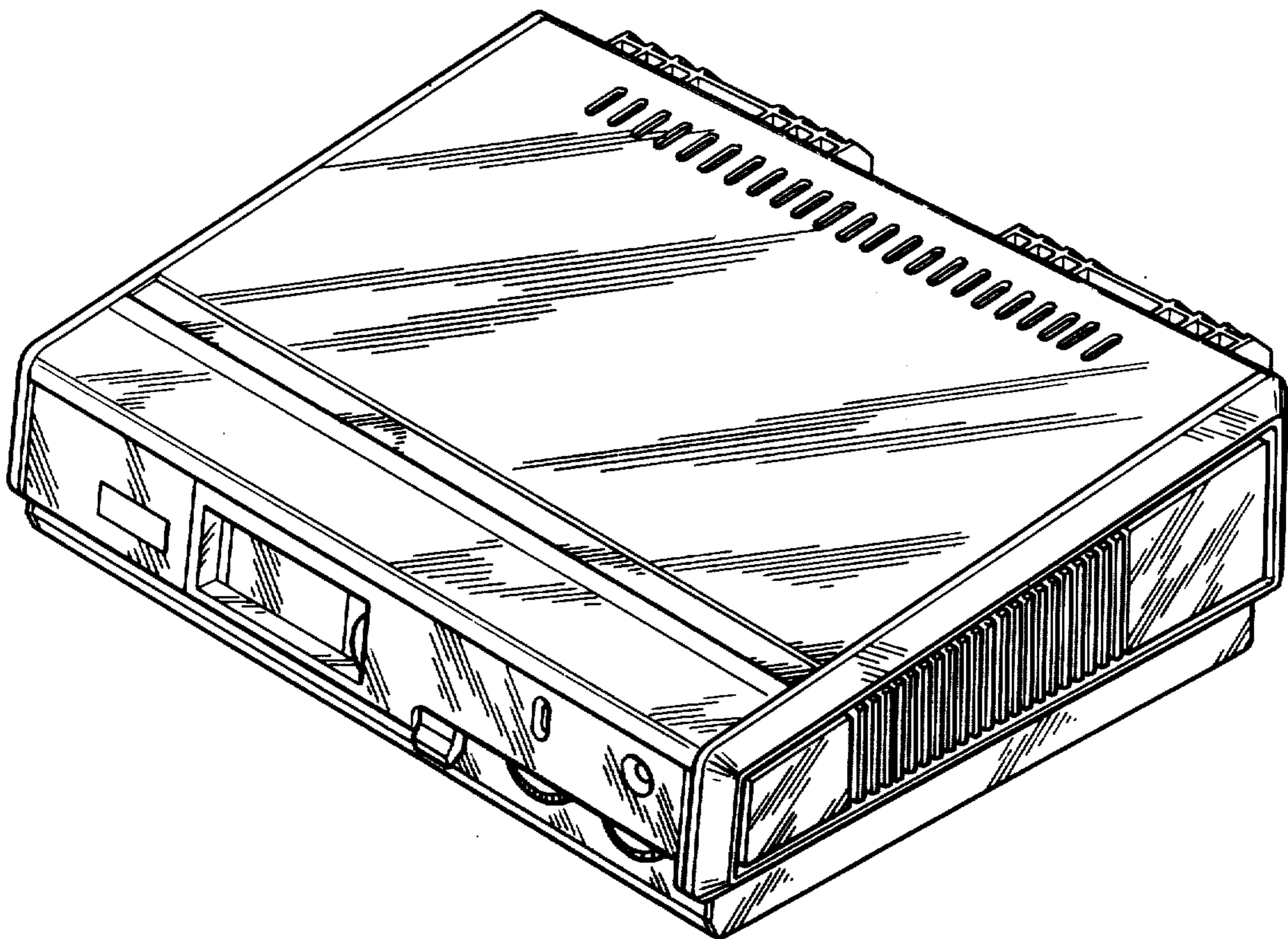
Primary Examiner—Bernard Ansher
Attorney, Agent, or Firm—Rolf E. Schneider

[57] CLAIM

The ornamental design for a radio apparatus, as shown and described.

DESCRIPTION

FIG. 1 is a perspective view of a radio apparatus showing my new design;
FIG. 2 is a rear elevational view thereof;
FIG. 3 is a left side elevational view thereof, the right side elevational view being a mirror image;
FIG. 4 is a top plan view thereof; and
FIG. 5 is a bottom plan view thereof.



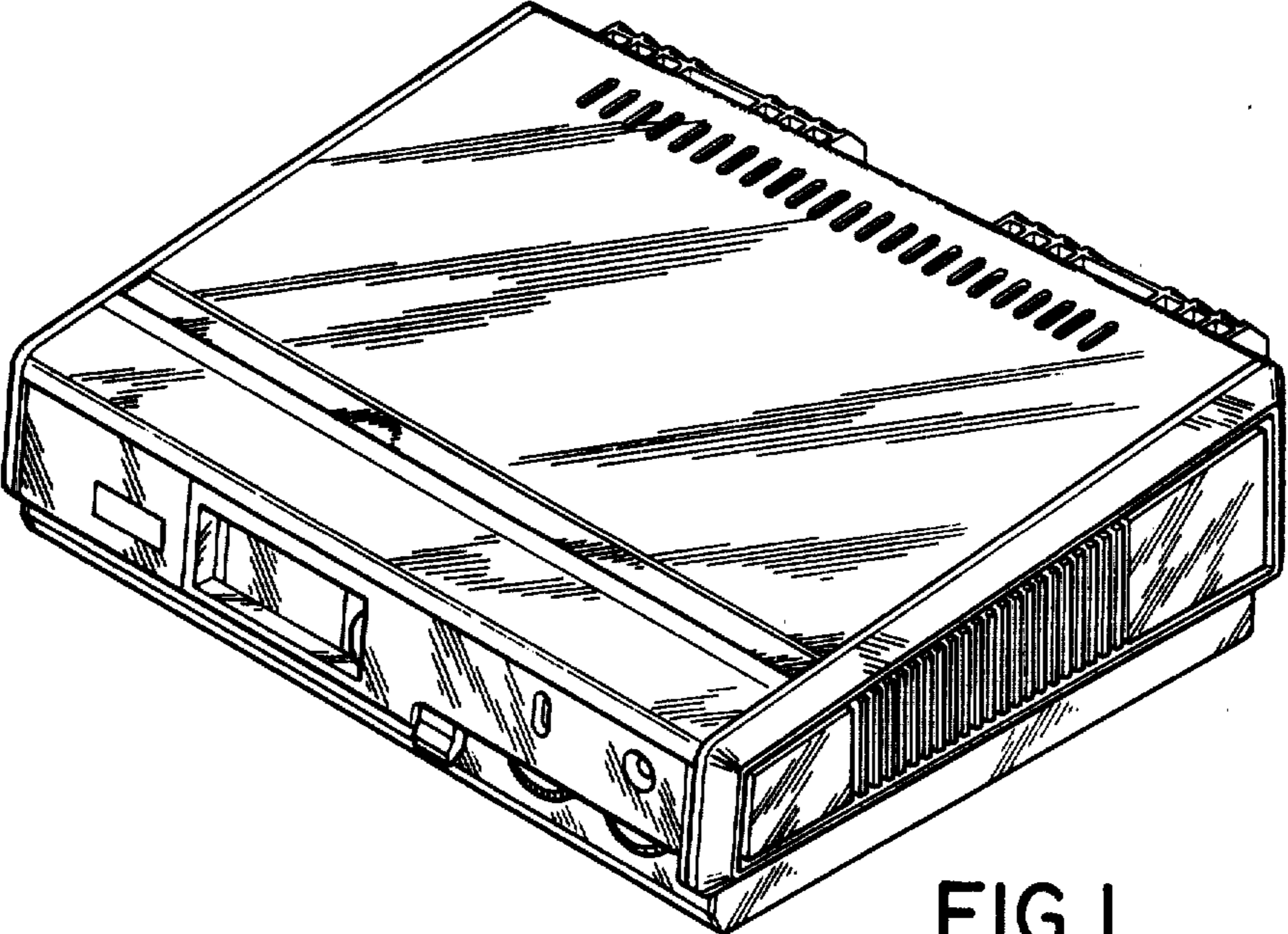


FIG. 1

FIG. 2

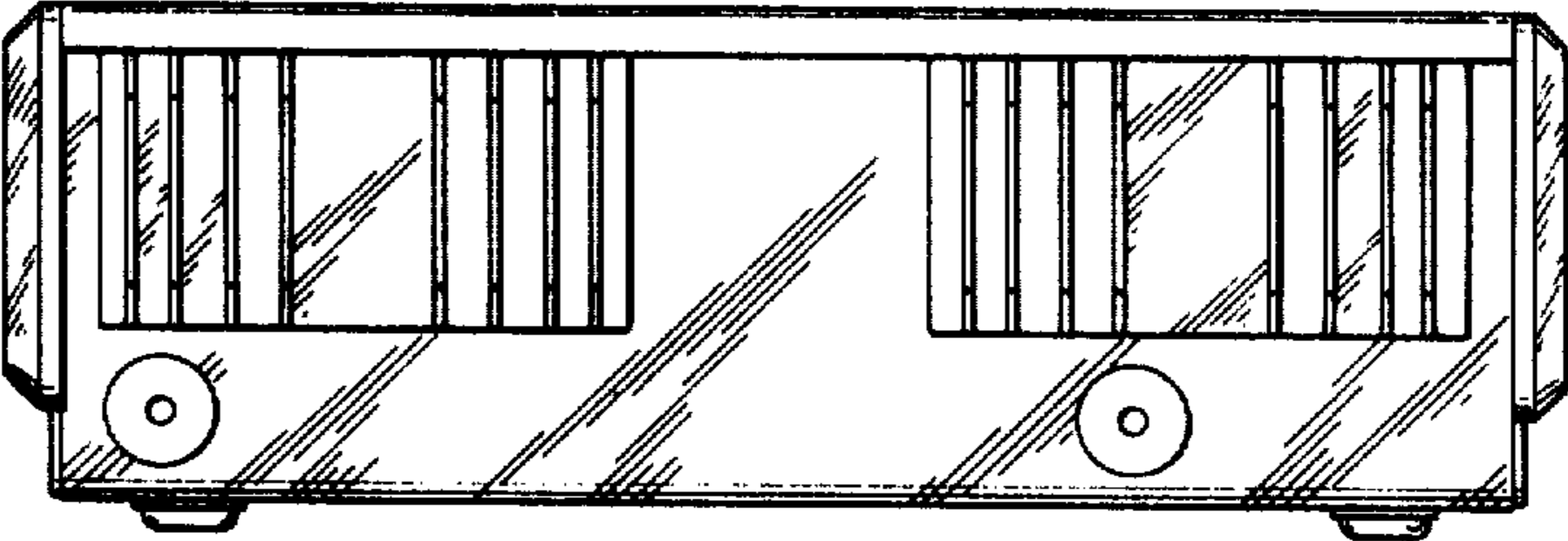


FIG. 3

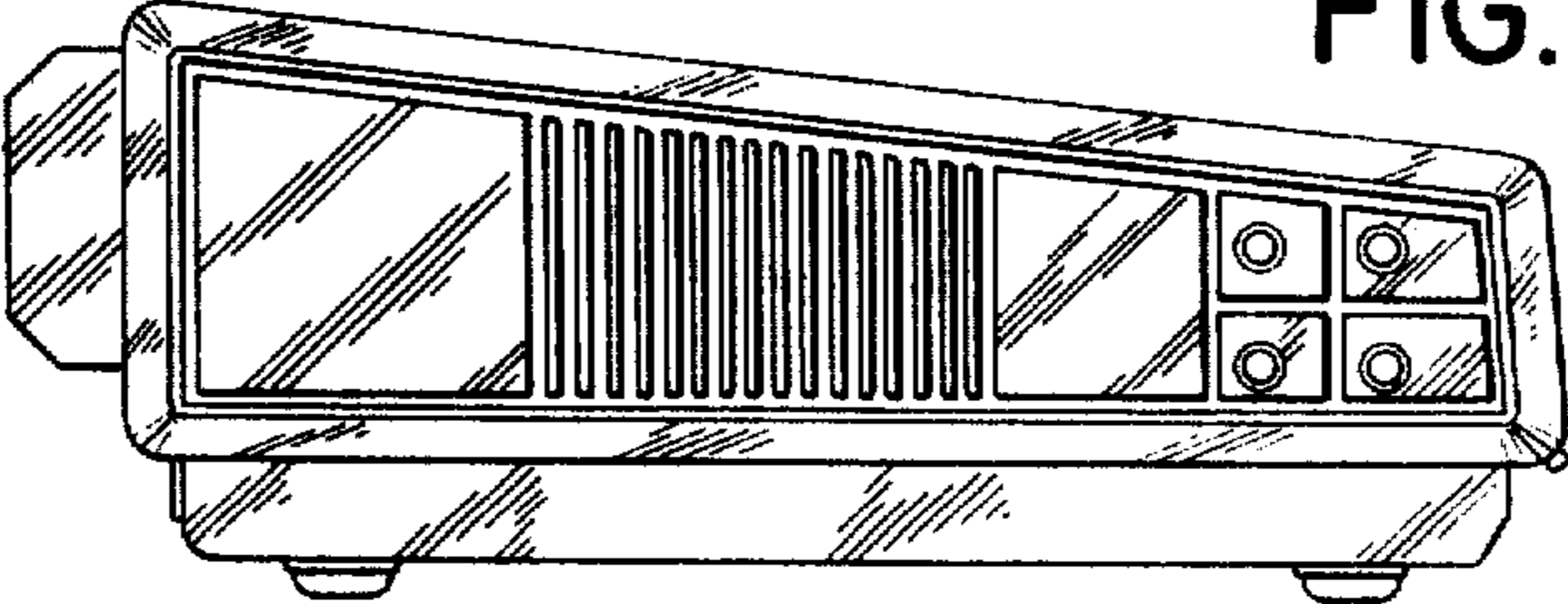


FIG.4

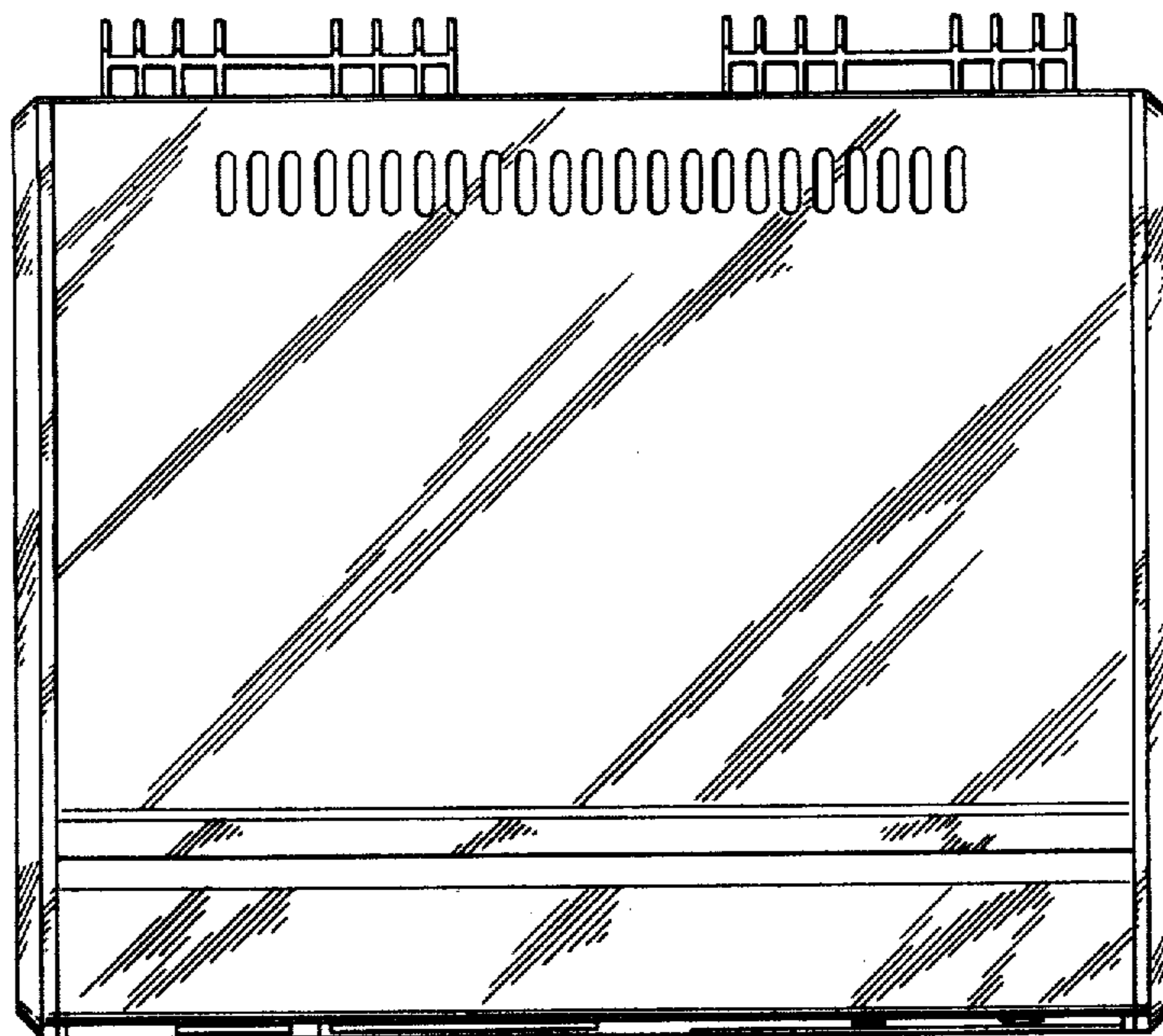


FIG.5

