

[54] **PACKAGING CONTAINER FOR RAZORS**

[75] **Inventor:** Richard D. Richards, Liphook, England

[73] **Assignee:** Wilkinson Sword, Limited, England

[**] **Term:** 14 Years

[21] **Appl. No.:** 270,690

[22] **Filed:** May 28, 1981

[30] **Foreign Application Priority Data**
Dec. 5, 1980 [GB] United Kingdom 997931

[51] **Int. Cl.** D9-03

[52] **U.S. Cl.** D9/342; D9/415

[58] **Field of Search** 206/349, 354, 443, 461; D9/341, 342, 345, 346, 415

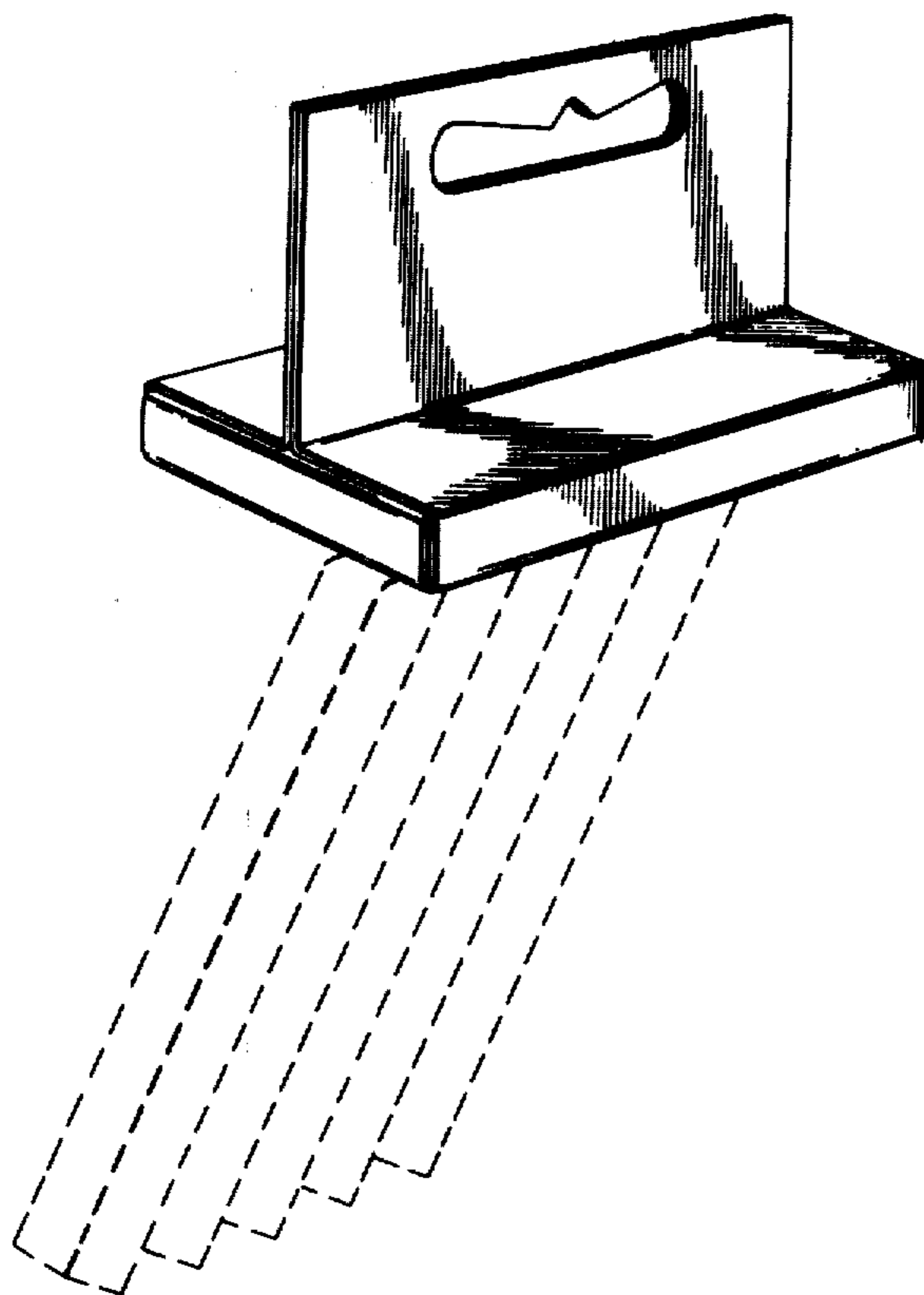
[56] **References Cited**
U.S. PATENT DOCUMENTS

D. 264,681	6/1982	Turley	D9/341 X
D. 265,056	6/1982	Hadtke	D9/342
D. 265,551	7/1982	Colby et al.	D9/415
4,000,832	1/1977	Pentney	206/354 X
4,128,172	12/1978	Joyce	206/354 X
4,359,158	11/1982	Gringer	206/349

Primary Examiner—Robert C. Spangler
Attorney, Agent, or Firm—John K. Williamson

[57] **CLAIM**
The ornamental design for a packaging container for razors as shown, and described.

DESCRIPTION
FIG. 1 is a top perspective view of a packaging container for razors, showing my new design; and FIG. 2 is a bottom perspective view thereof showing the side and end not seen in FIG. 1. The broken lines showing razor handles are for the purpose of illustrating environmental use only.



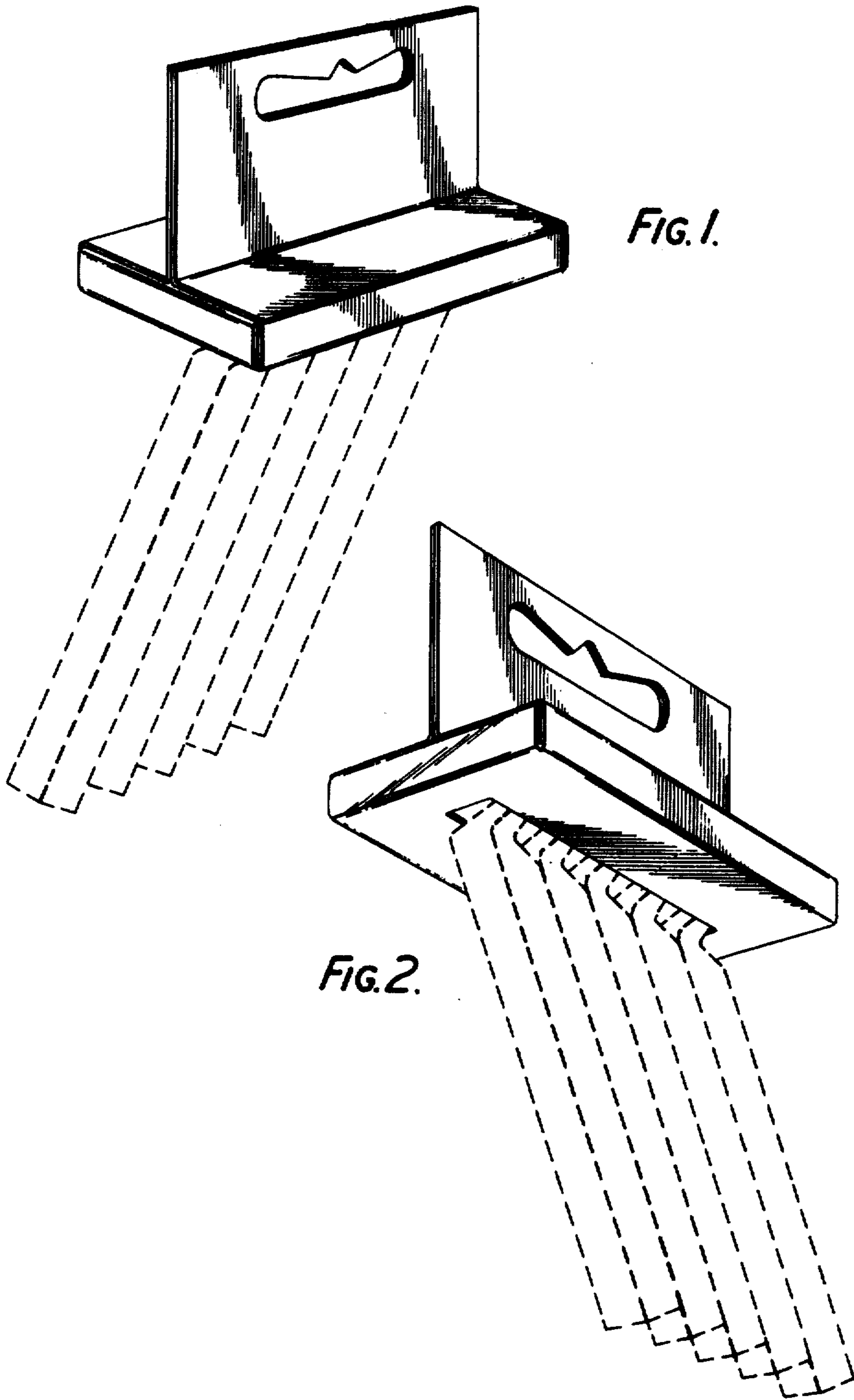


FIG. 1.

FIG. 2.