

[54] FLEXURE HINGE FOR GYROSCOPES OR THE LIKE

[75] Inventors: Shri A. Kumar, Parsippany; Bo Ljung; James G. Koper, both of Wayne, all of N.J.

[73] Assignee: The Singer Company, Little Falls, N.J.

[**] Term: 14 Years

[21] Appl. No.: 275,804

[22] Filed: Jun. 22, 1981

[51] Int. Cl. D8-06

[52] U.S. Cl. D8/325; D8/323

[58] Field of Search D8/323, 325; 16/308, 16/DIG. 13; 74/5 R, 5 F

[56] References Cited

U.S. PATENT DOCUMENTS

2,733,476	2/1956	Eck	16/308
3,575,475	4/1971	Boerner	74/5 F
3,700,289	10/1972	Bilinski et al.	74/5 F
3,943,778	3/1976	Wyse	74/5 F
4,114,402	9/1978	Craig et al.	74/5 F
4,269,072	5/1981	Duncan	74/5 F
4,286,370	9/1981	Craig	74/5 F

Primary Examiner—B. J. Bullock

Attorney, Agent, or Firm—Morris Liss; T. W. Kennedy

[57] CLAIM

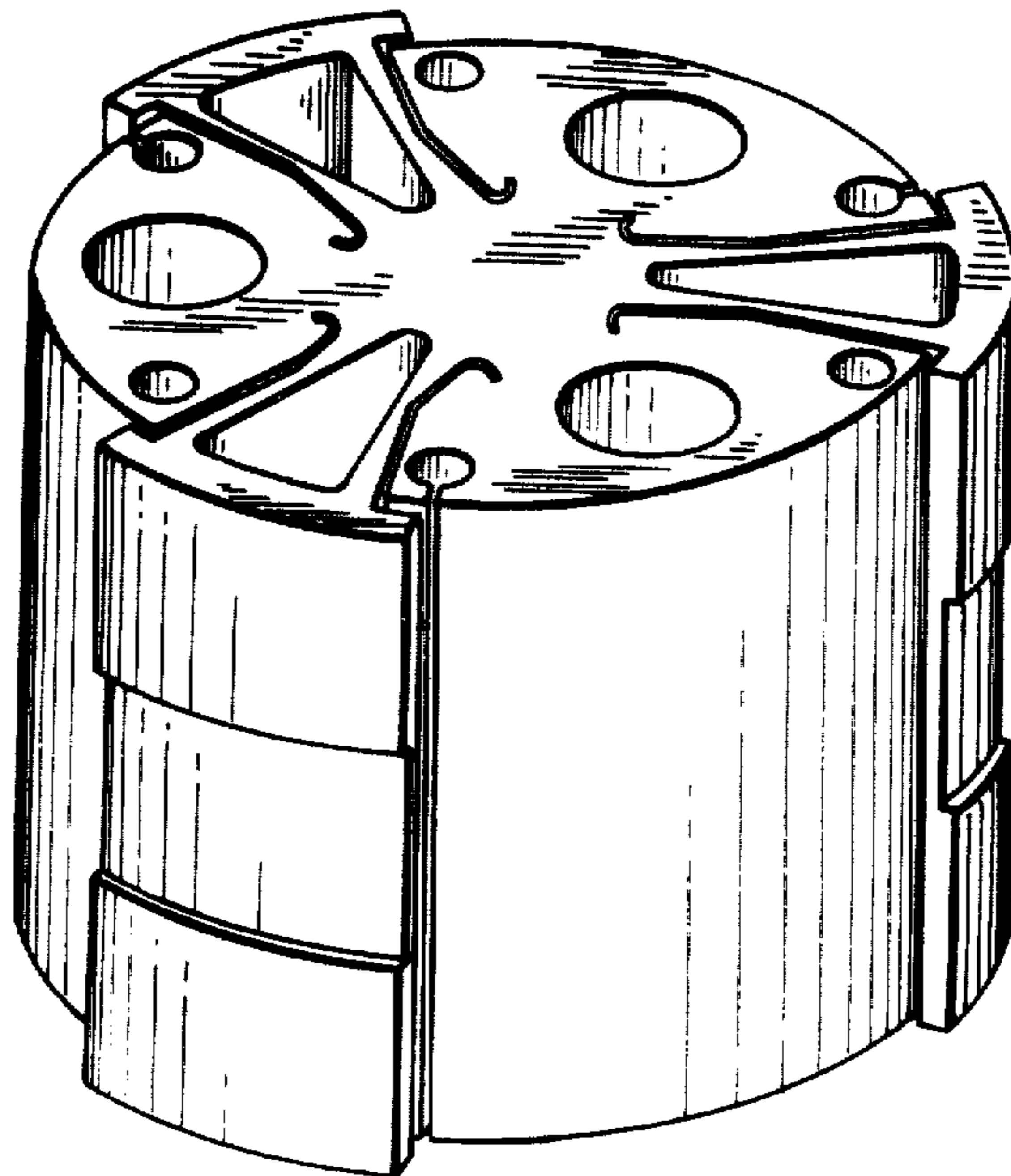
The ornamental design for a flexure hinge for gyroscopes or the like, as shown.

DESCRIPTION

FIG. 1 is a top plan view of the hinge showing our new design;

FIG. 2 is a side elevational view; and

FIG. 3 is an enlarged perspective view thereof.



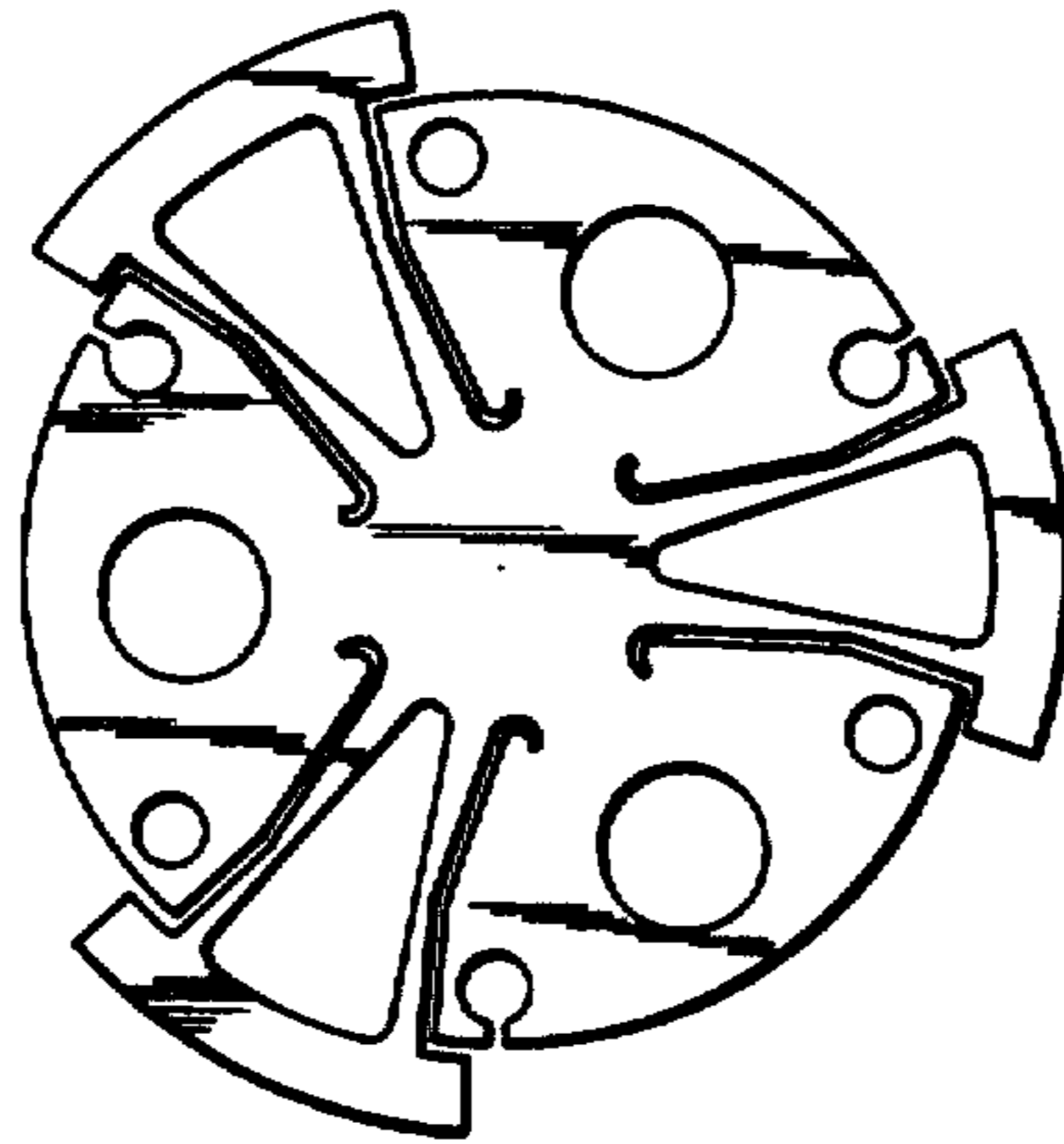


FIG. 1



FIG. 2

FIG. 3

