

- [54] **COMBINED CORN BUTTERER AND SALT DISPENSER**
- [75] Inventor: **Martin J. Wolff**, North Providence, R.I.
- [73] Assignee: **Dart Industries Inc.**, Northbrook, Ill.
- [**] Term: **14 Years**
- [21] Appl. No.: **289,270**
- [22] Filed: **Aug. 3, 1981**
- [51] Int. Cl. **D07-04**
- [52] U.S. Cl. **D7/99; D7/54**
- [58] Field of Search **D7/99, 54, 57; 118/13; 401/12, 76**

Primary Examiner—Winifred E. Herrmann

[57] **CLAIM**

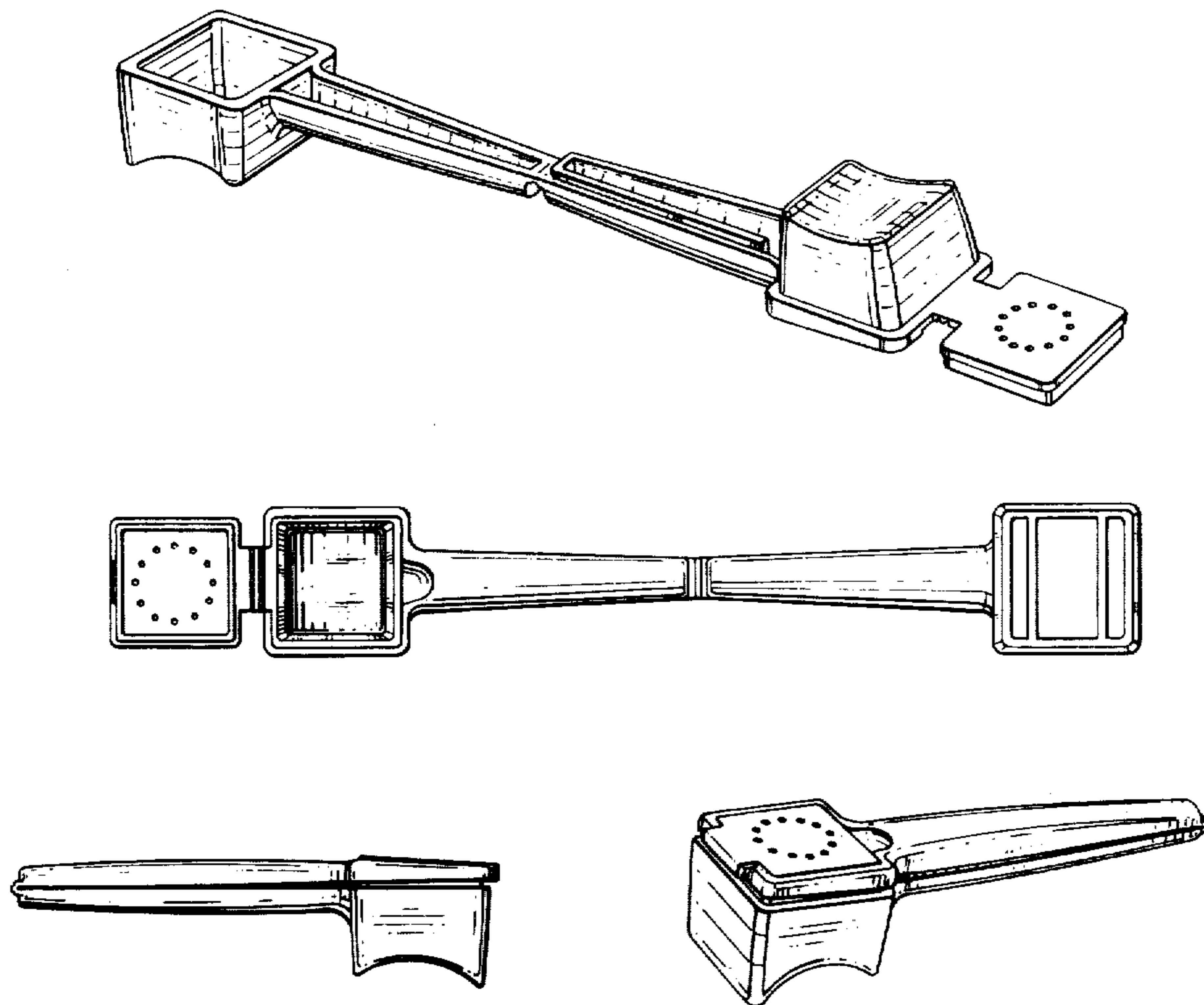
The ornamental design for a combined corn butterer and salt dispenser, substantially as shown.

DESCRIPTION

FIG. 1 is a top perspective view of a combined corn butterer and salt dispenser in its fully open position showing my new design;
 FIG. 2 is a top plan view thereof;
 FIG. 3 is a side elevational view thereof;
 FIG. 4 is a bottom plan view thereof;
 FIG. 5 is a left end elevational view thereof;
 FIG. 6 is a right end elevational view thereof;
 FIG. 7 is a top perspective view of the combined corn butterer and salt dispenser in its fully closed and functional position showing my new design;
 FIG. 8 is a top plan view thereof;
 FIG. 9 is a side elevational view thereof;
 FIG. 10 is a bottom plan view thereof;
 FIG. 11 is a handle-end elevational view thereof; and
 FIG. 12 is the opposite-end elevational view thereof.

[56] **References Cited**
U.S. PATENT DOCUMENTS

D. 159,748	8/1950	Mossel	D7/99
D. 163,121	5/1951	Kane	D7/99
D. 178,487	8/1956	Becker	D7/99
2,756,498	7/1956	Wasser	401/12 X
2,893,032	7/1959	Selmer	401/12



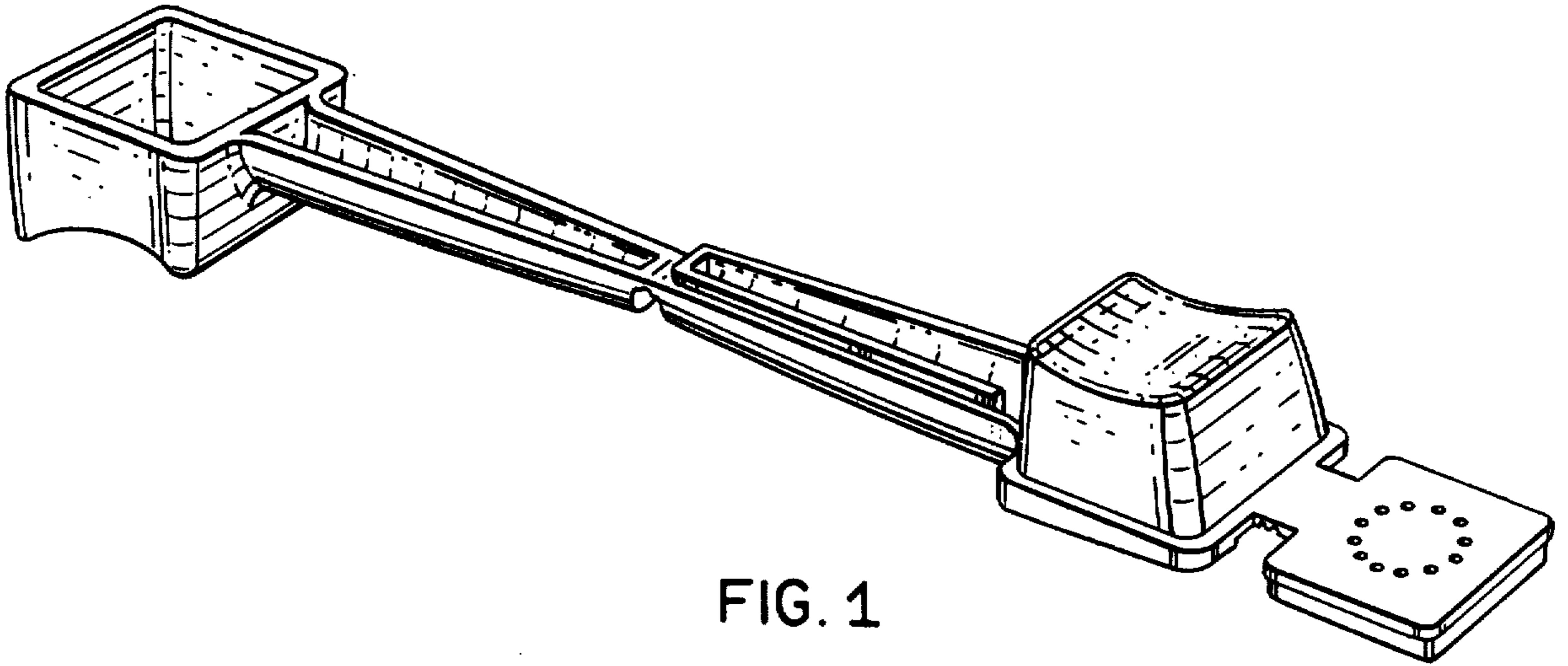


FIG. 1

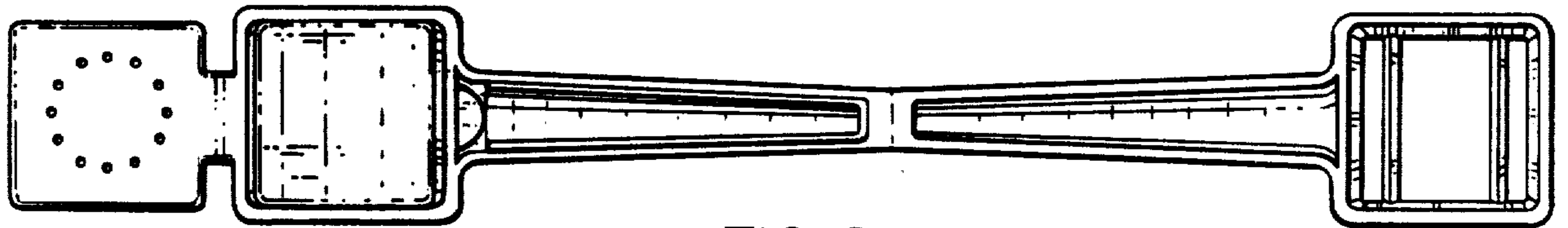


FIG. 2

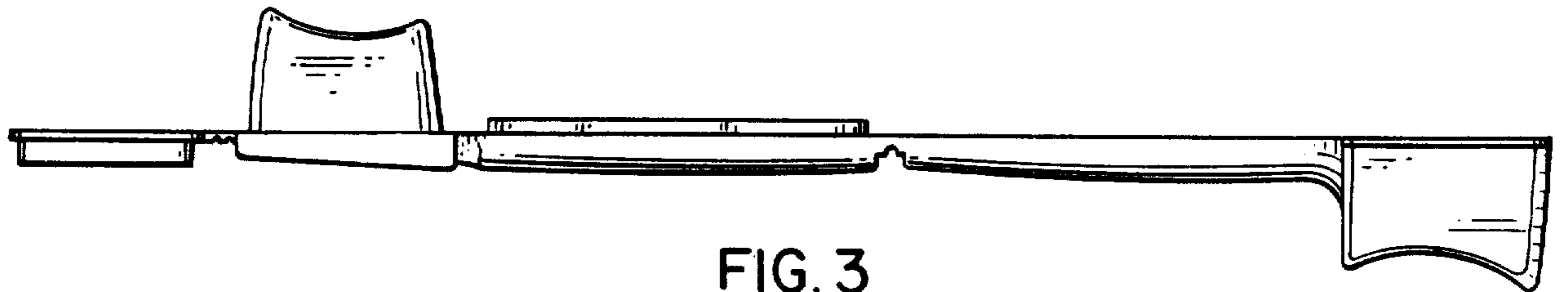


FIG. 3



FIG. 4

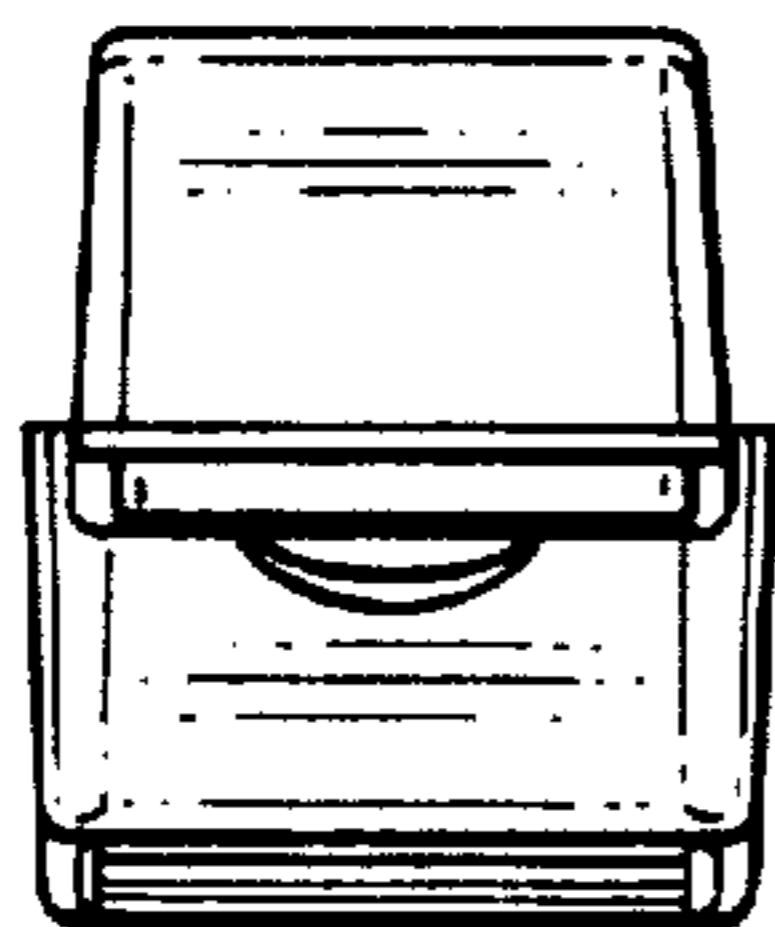


FIG. 5

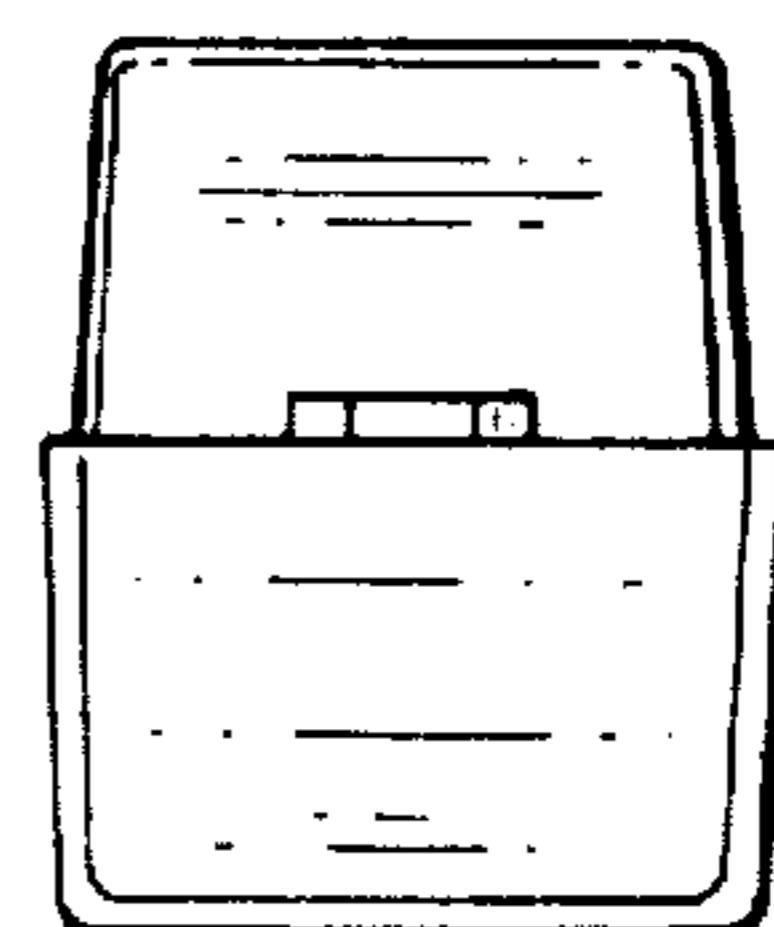


FIG. 6

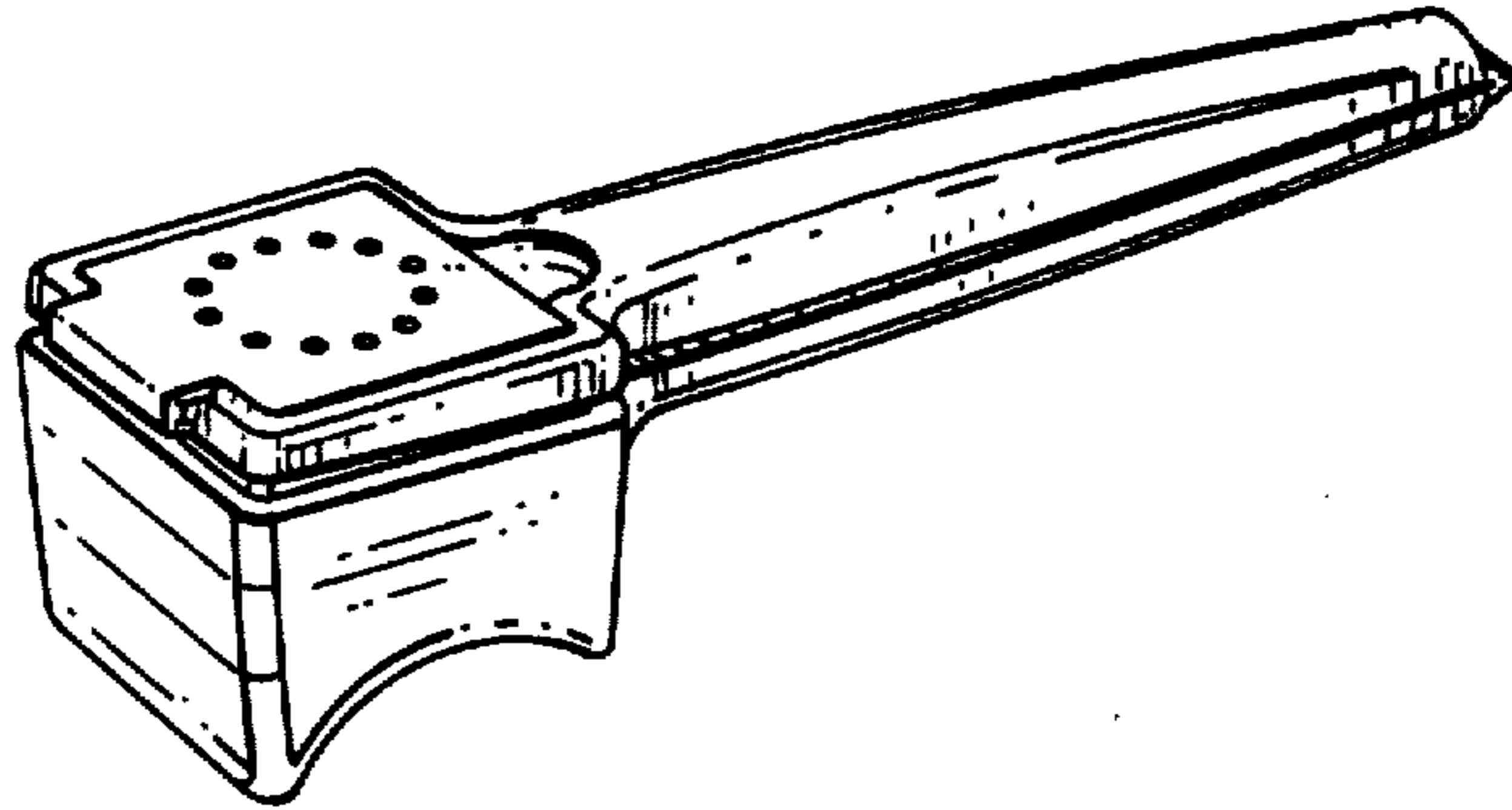


FIG. 7

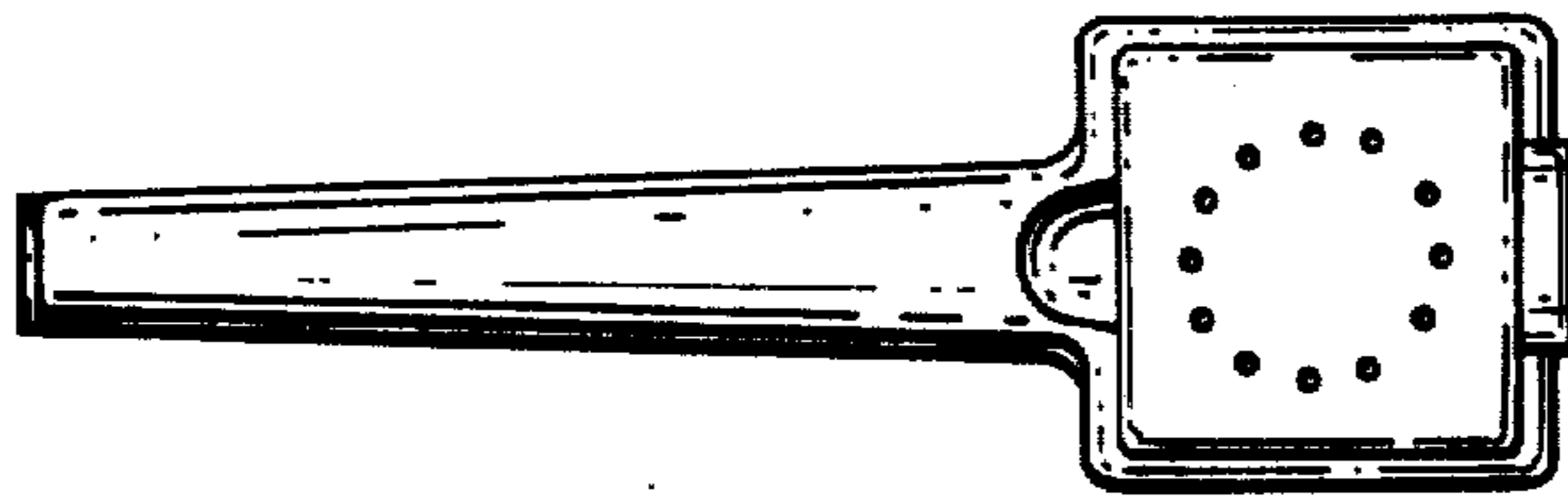


FIG. 8



FIG. 9

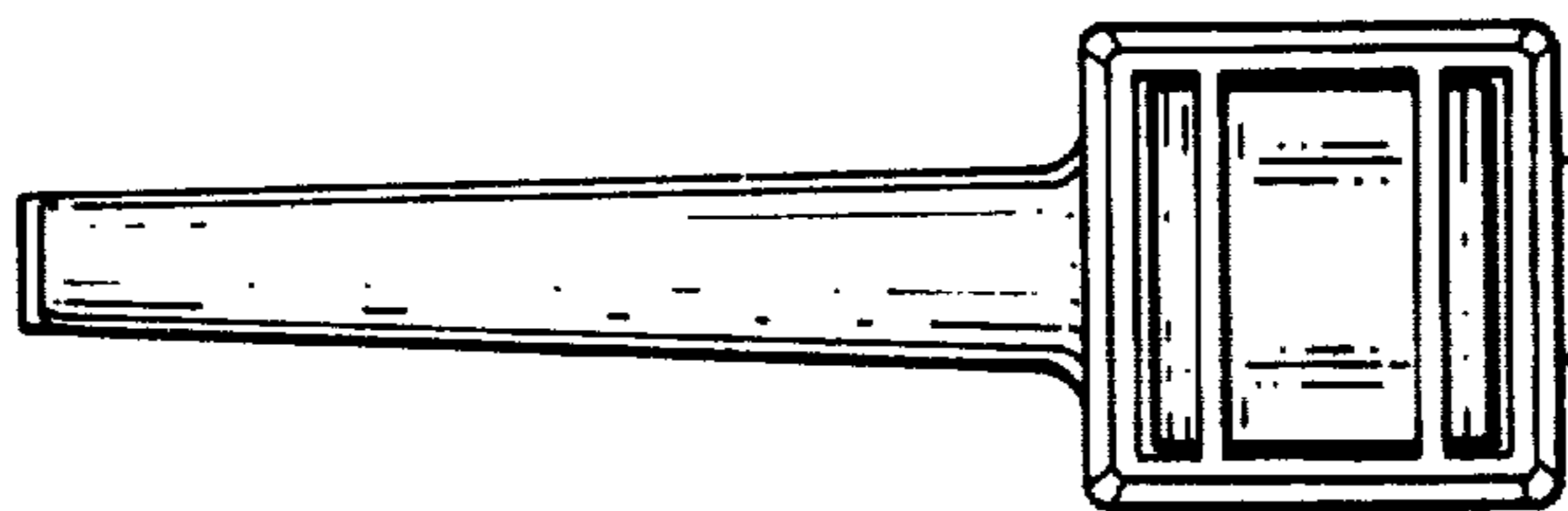


FIG. 10

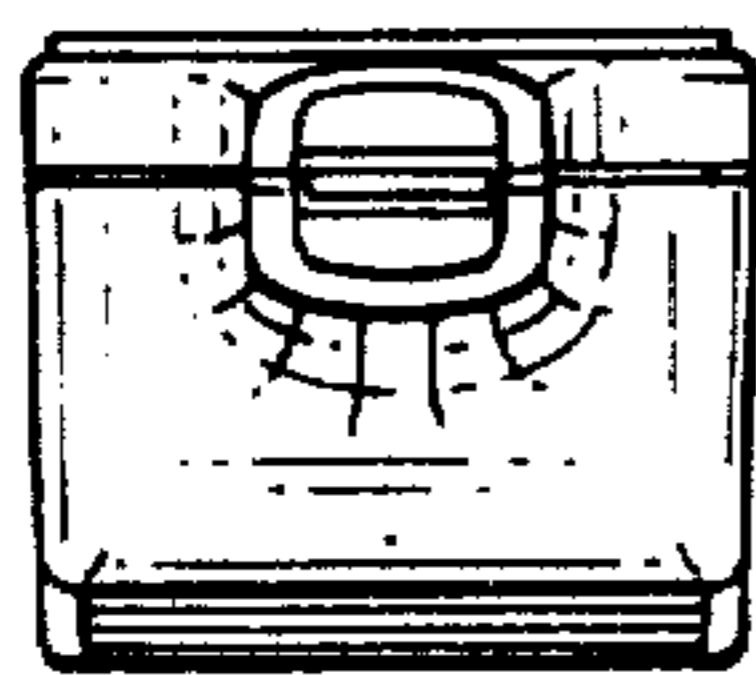


FIG. 11

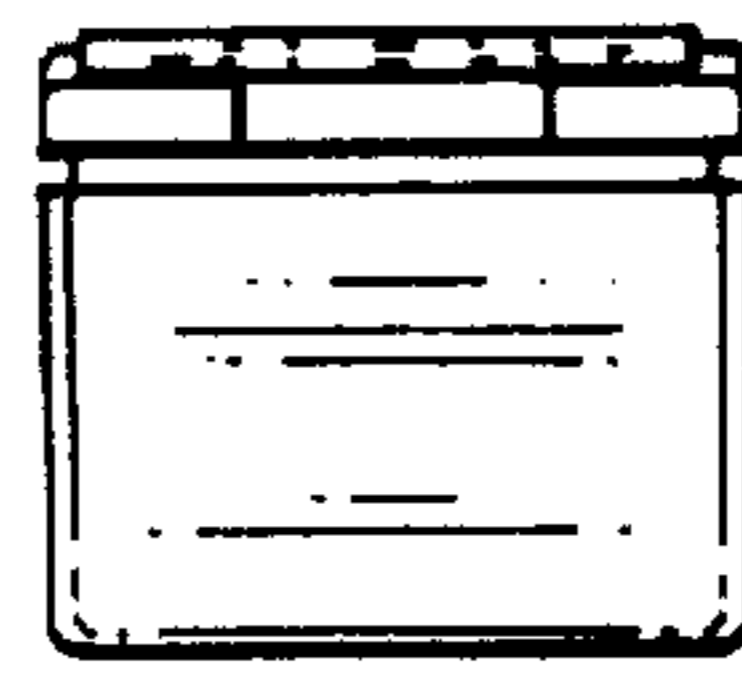


FIG. 12