

[54] MUG

[75] Inventors: Mel Appel, Nine Nottingham Rd., Livingston, N.J. 07039; George Kress, Scotch Plains, N.J.

[73] Assignee: Mel Appel, Livingston, N.J.

[\*\*] Term: 14 Years

[21] Appl. No.: 350,134

[22] Filed: Feb. 18, 1982

[51] Int. Cl. .... D07-01

[52] U.S. Cl. .... D7/5; D7/9

[58] Field of Search .... D7/5, 9, 10, 6, 15, D7/3, 70; D9/307

[56] References Cited

U.S. PATENT DOCUMENTS

D. 40,395 12/1909 Nutter ..... D7/9 X  
601,159 3/1898 Myers ..... D7/54 X

OTHER PUBLICATIONS

*Gifts & Decorative Accessories*, Mar. 1979, p. 80, top panel "A"—Crayon Canister Set by Alkekenge. Libbey Pacesetter Cat. for 1973, p. 7, Cylinder Canister-M-crayons with stripes therein.

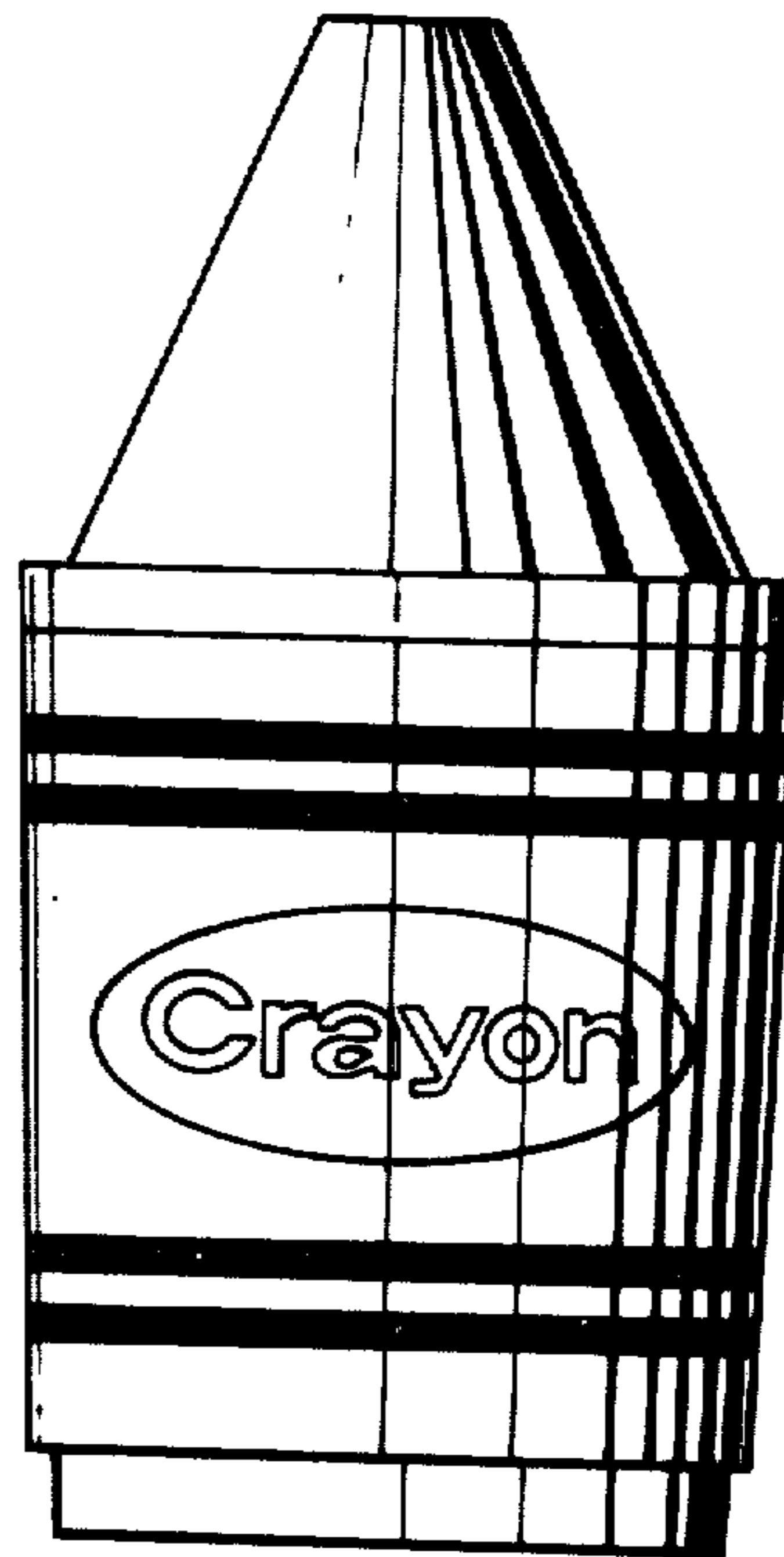
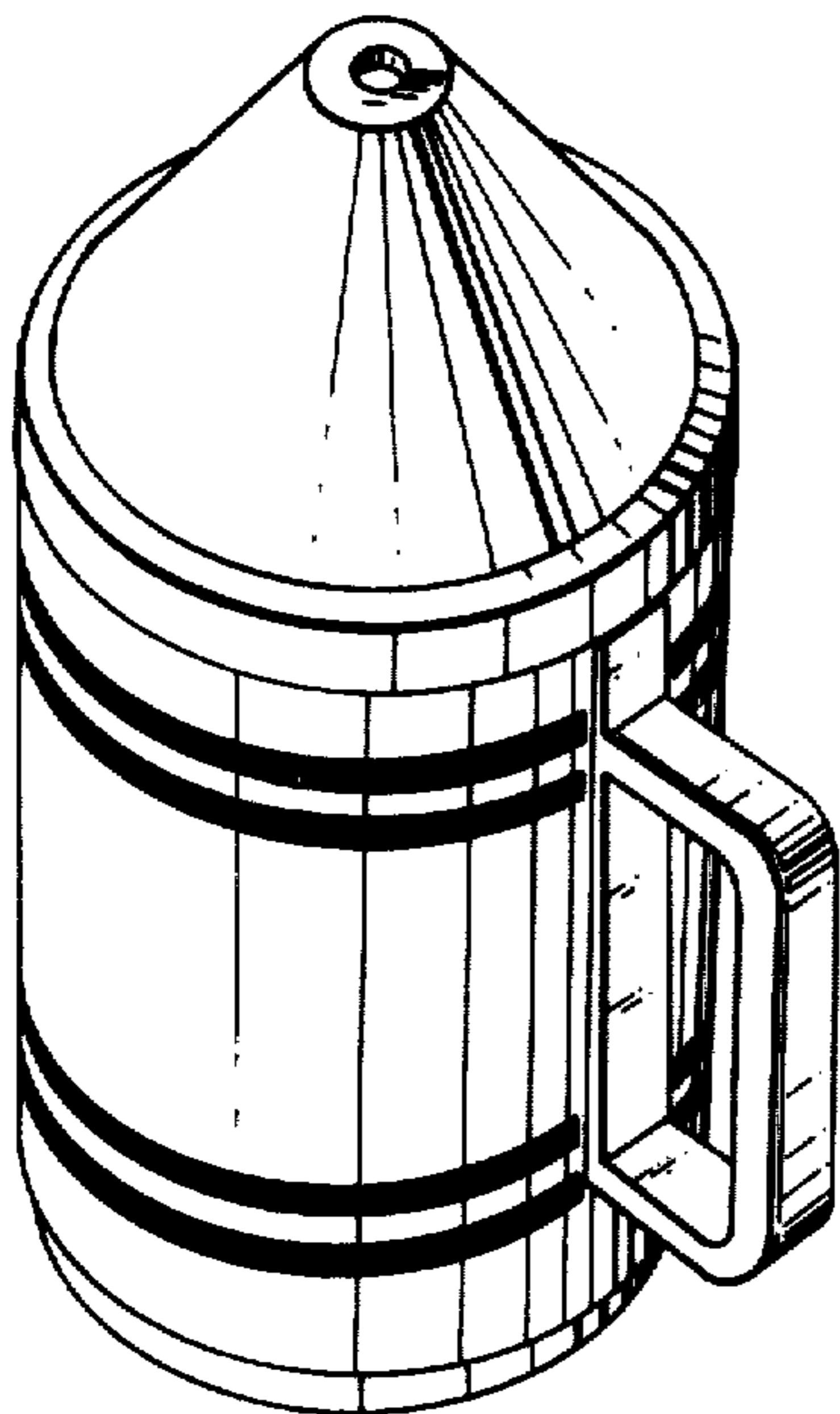
*Primary Examiner*—Winifred E. Herrmann  
*Attorney, Agent, or Firm*—Lerner, David, Littenberg, Krumholz & Mentlik

[57] CLAIM

The ornamental design for a mug, substantially as shown and described.

DESCRIPTION

FIG. 1 is a top rear perspective view of a mug showing our new design;  
FIG. 2 is a right side elevational view, the left side elevational view being a mirror image thereof;  
FIG. 3 is a top plan view thereof;  
FIG. 4 is a bottom plan view thereof;  
FIG. 5 is a front elevational view thereof; and  
FIG. 6 is a rear elevational view thereof.



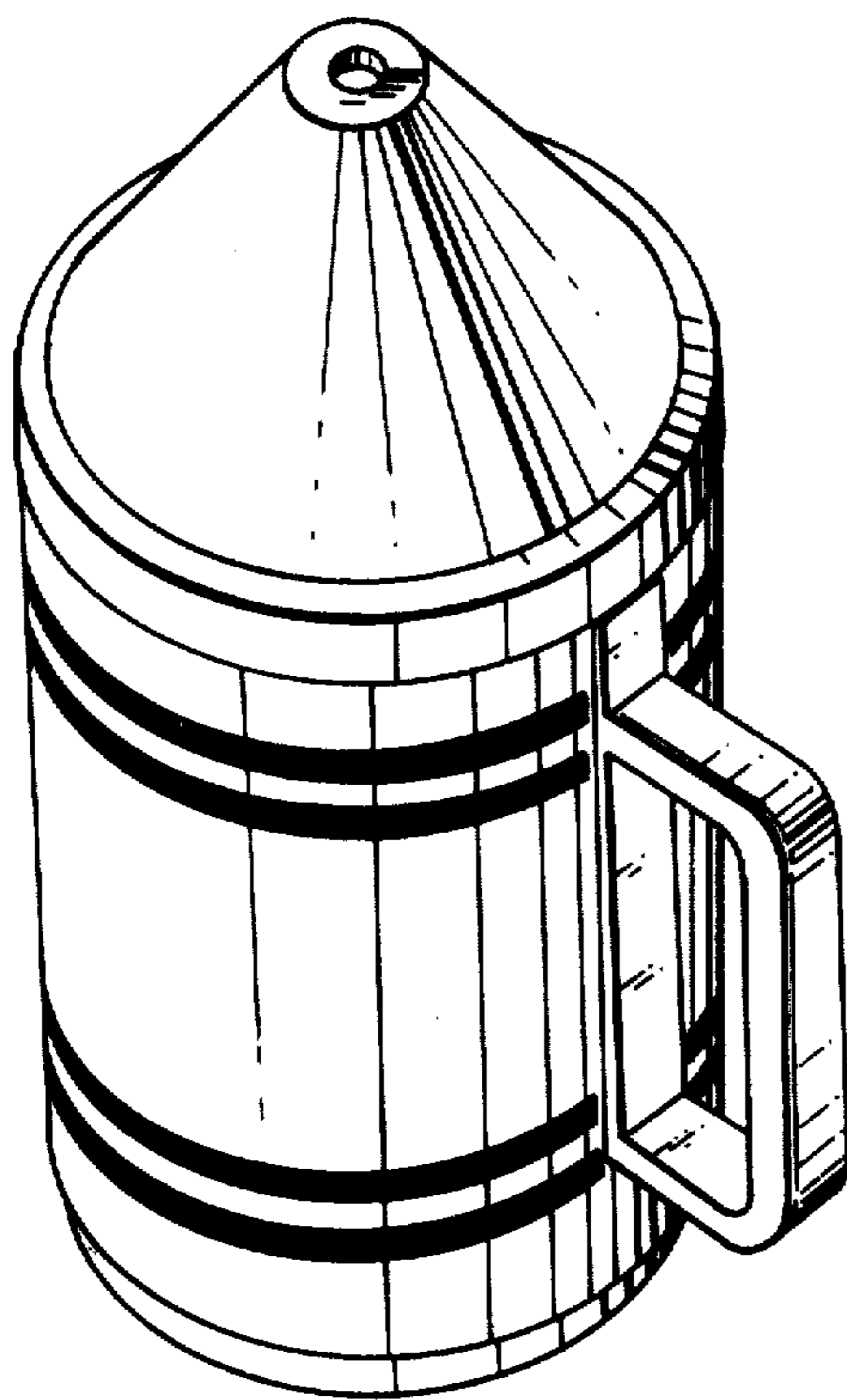


FIG. 1

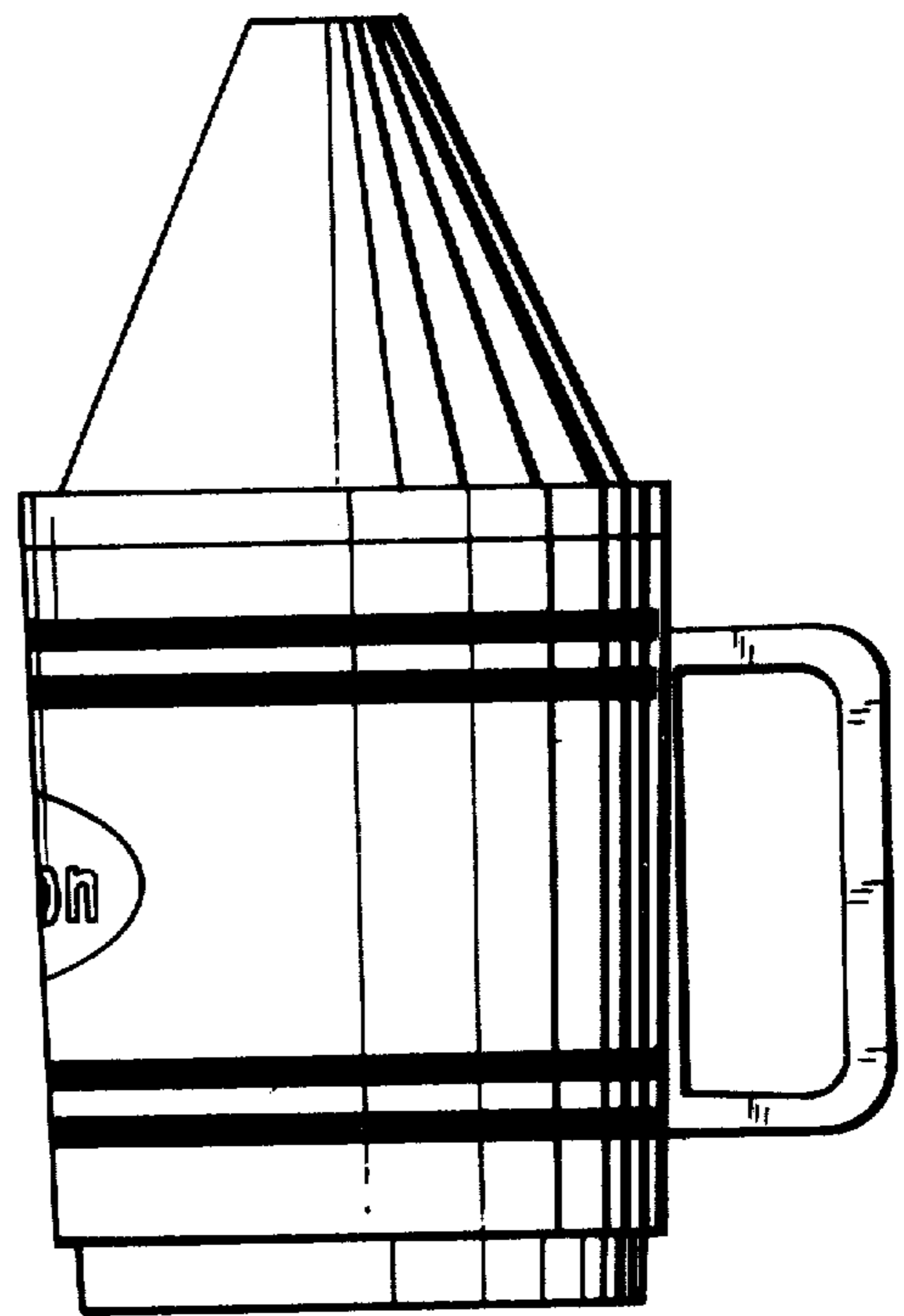


FIG. 2

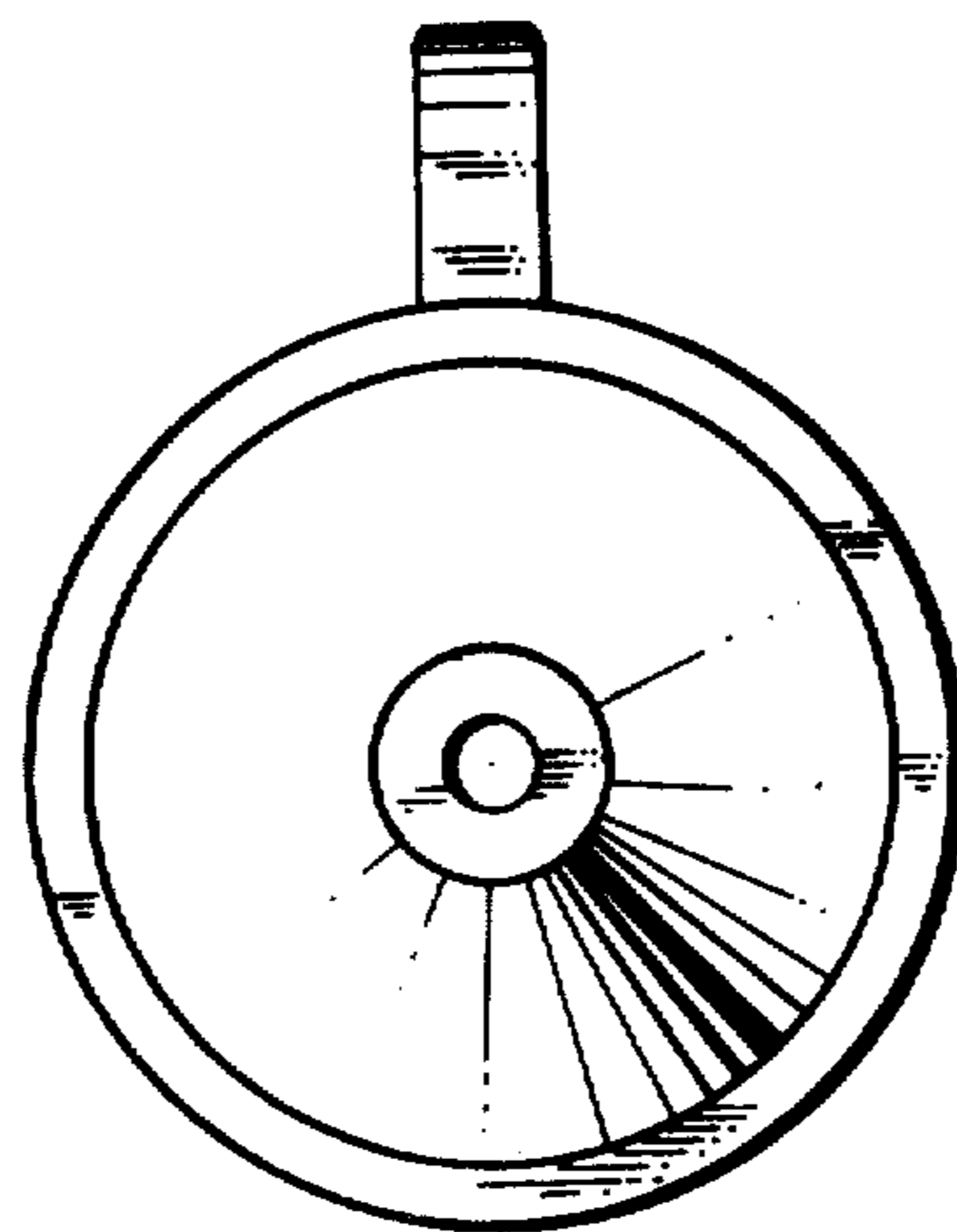


FIG. 3

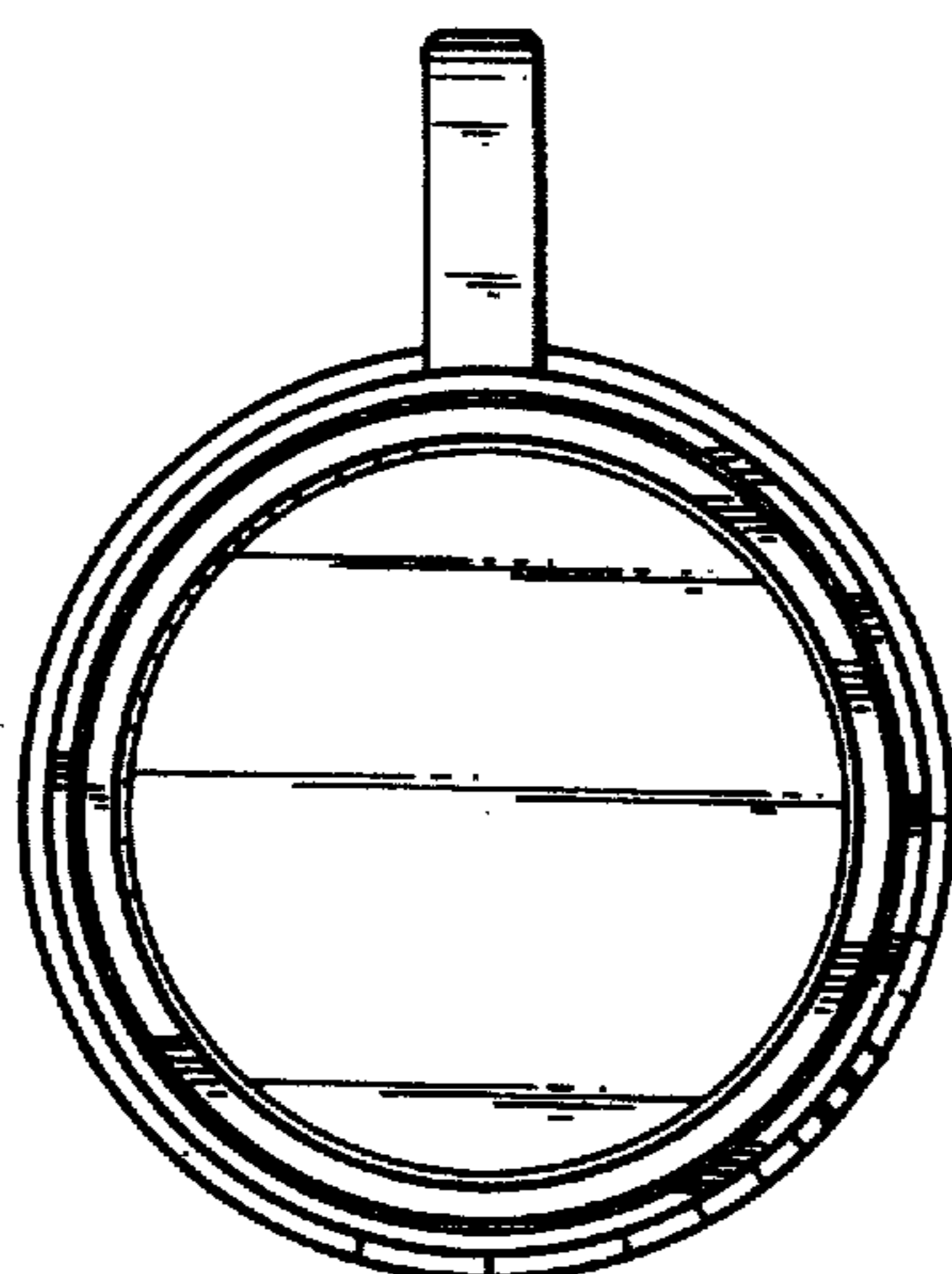


FIG. 4

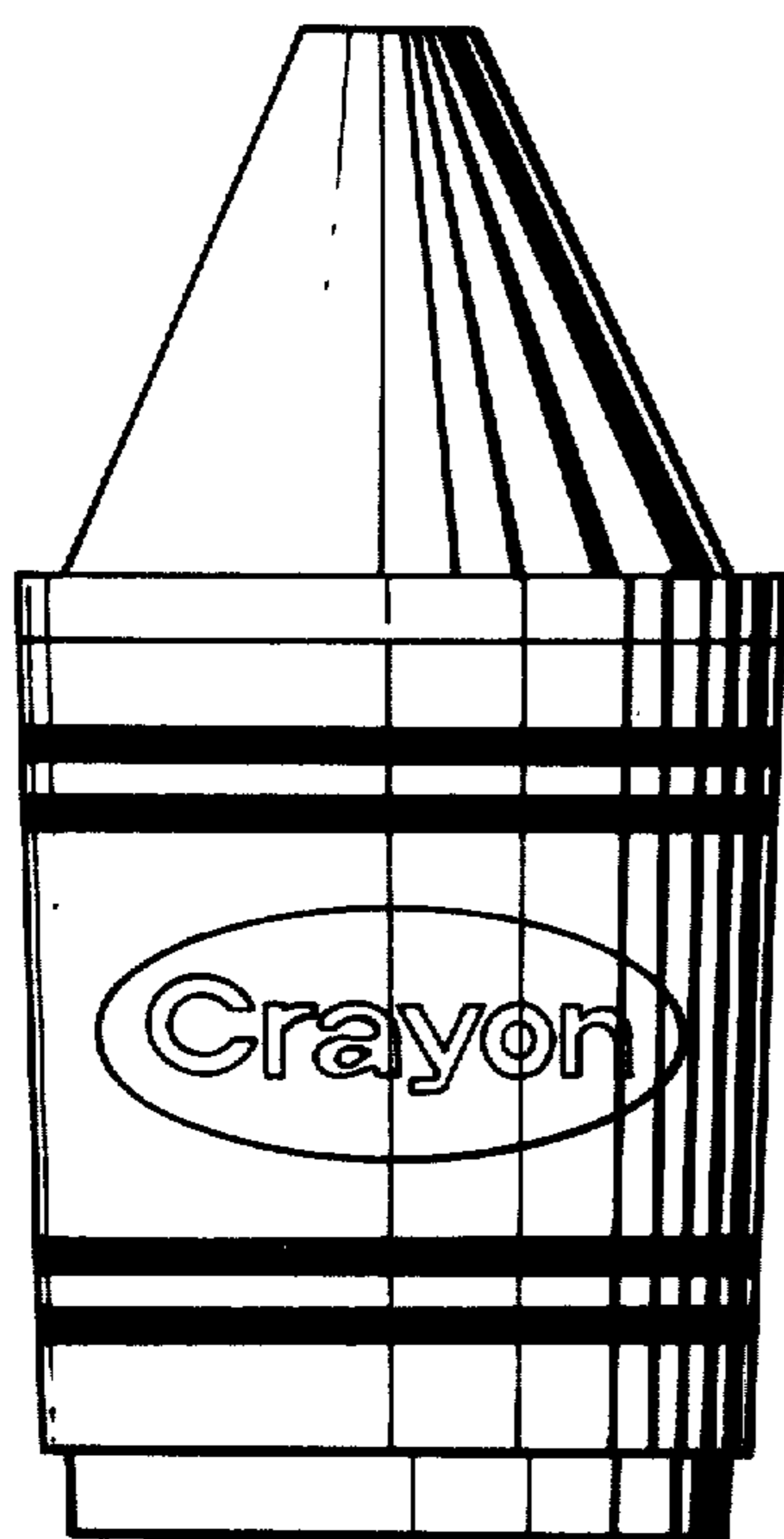


FIG. 5

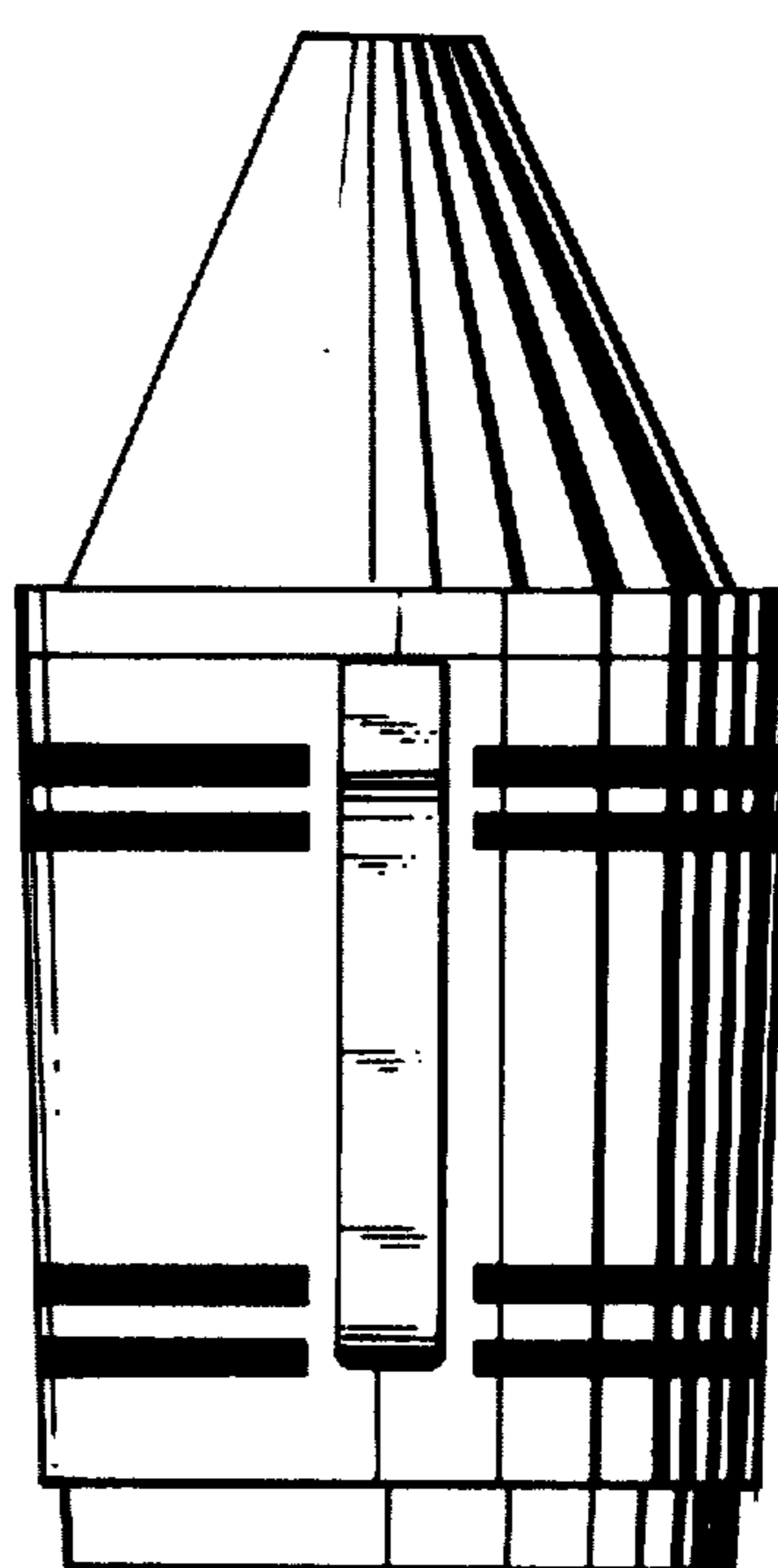


FIG. 6