

[54] SET OF BRACKETS FOR MOUNTING ON A WALL FOR SUPPORTING HORIZONTALLY ORIENTED FISHING RODS

[75] Inventor: James T. Rumbaugh, Spirit Lake, Iowa

[73] Assignee: Berkley and Company, Inc., Spirit Lake, Iowa

[**] Term: 14 Years

[21] Appl. No.: 337,090

[22] Filed: Jan. 4, 1982

[51] Int. Cl. D6-04; D8-08

[52] U.S. Cl. D6/114; D8/380

[58] Field of Search D6/114, 125; D8/373, D8/380; 211/13, 60 R, 87, 89

[56] References Cited

U.S. PATENT DOCUMENTS

- D. 190,429 5/1961 Hoagland D6/125
- D. 215,008 8/1969 Wilson D6/125

- D. 222,368 10/1971 Smith D6/114
- D. 223,261 4/1972 Stahl D6/114
- 3,731,817 5/1973 Fowlkes et al. 211/60 R
- 3,876,076 4/1975 Hazelhurst 211/60 R

Primary Examiner—B. J. Bullock
Attorney, Agent, or Firm—Kinney, Lange, Braddock, Westman & Fairbairn

[57] CLAIM

The ornamental design for a set of brackets for mounting on a wall for supporting horizontally oriented fishing rods, as shown and described.

DESCRIPTION

FIG. 1 is a perspective view of a set of brackets for mounting on a wall for supporting horizontally oriented fishing rods showing my new design, it being understood that the broken lines are for illustrating purposes only;

FIG. 2 is a side elevational view taken from the right of FIG. 1, the side opposite being a mirror image thereof;

FIG. 3 is a front elevational view of FIG. 2;

FIG. 4 is a rear elevational view of FIG. 2;

FIG. 5 is a top plan view of FIG. 2.

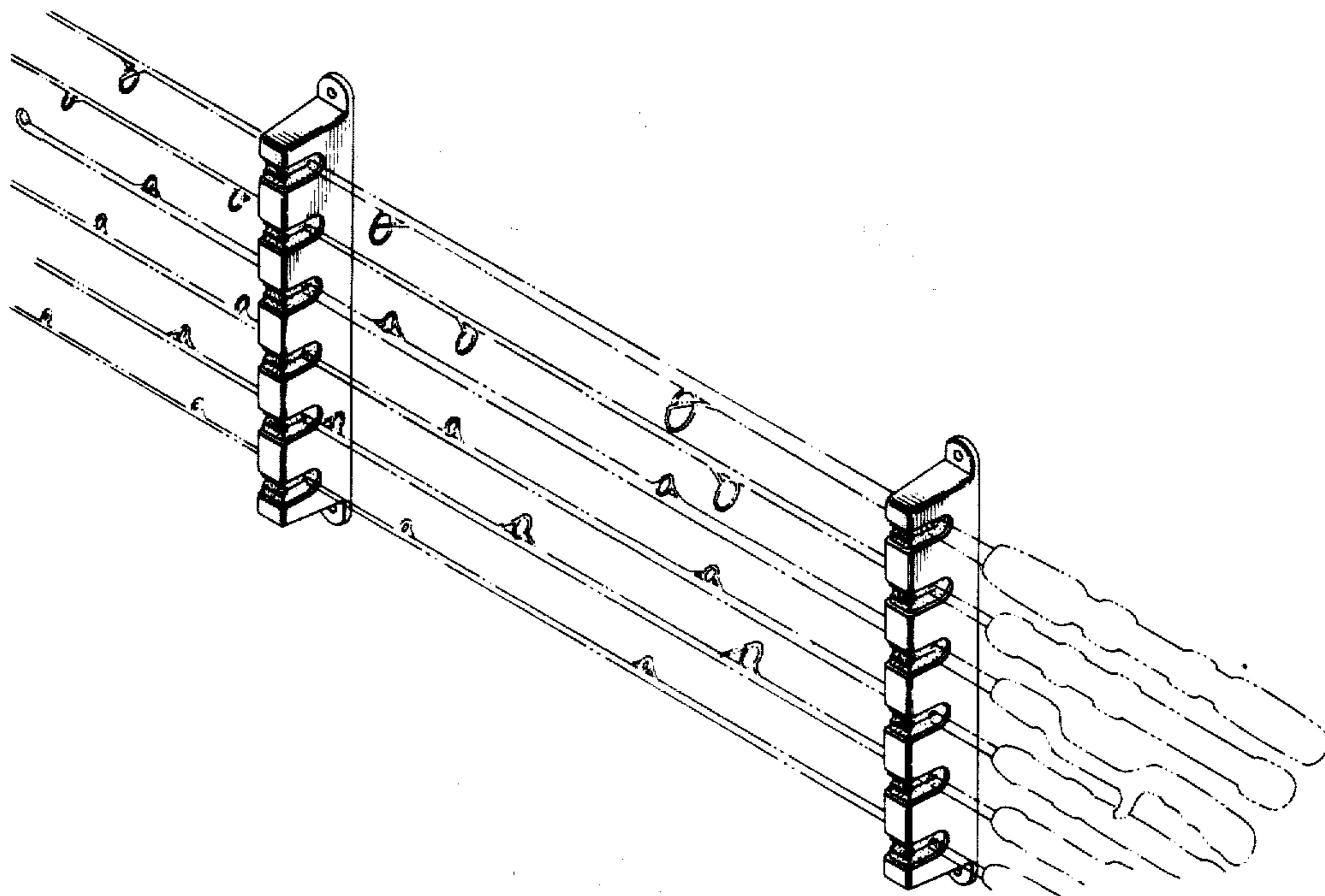


Fig. 2 *Fig. 3* *Fig. 4*

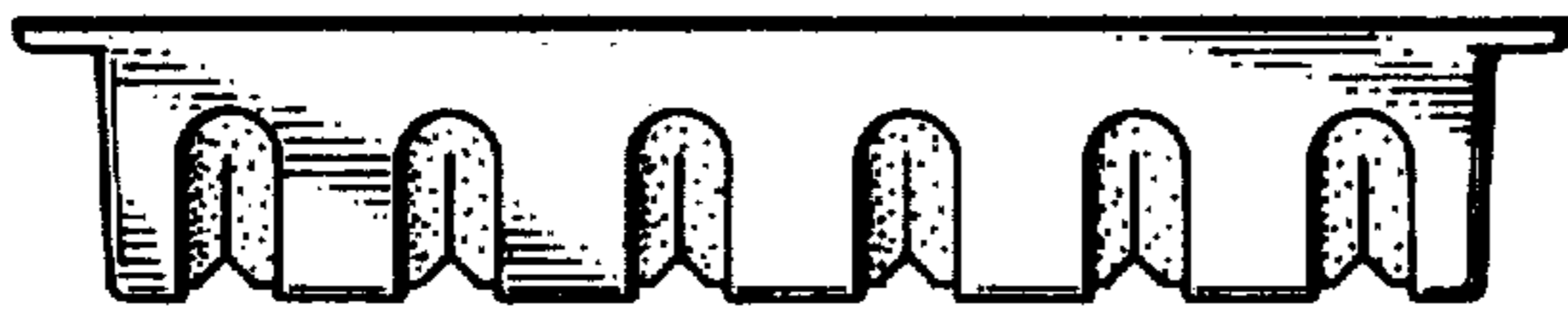


Fig. 1

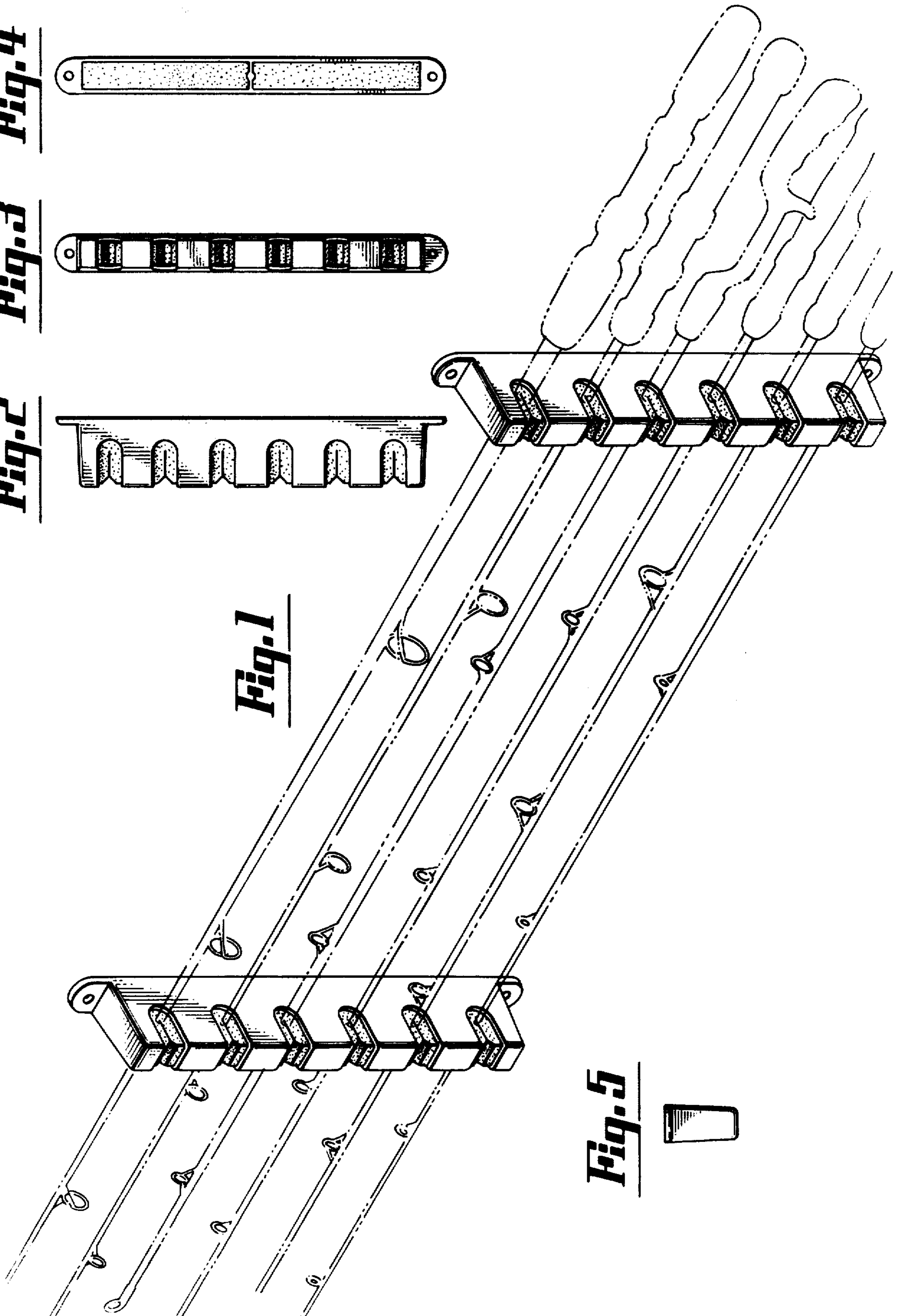


Fig. 5

