

[54] **SPEAKER STAND**

[75] Inventor: **Robert E. Williams, Jr.**, Memphis, Tenn.

[73] Assignee: **Omni R & D, Inc.**, Memphis, Tenn.

[**] Term: **14 Years**

[21] Appl. No.: **313,788**

[22] Filed: **Oct. 22, 1981**

[51] Int. Cl. **D06-06**

[52] U.S. Cl. **D6/85; D6/191**

[58] Field of Search **D6/85, 181, 191, 194, D6/196; D14/38; 211/181, 45; 248/175, 176**

[56] **References Cited**

U.S. PATENT DOCUMENTS

D. 230,236	2/1974	Fear	D6/194
D. 247,035	1/1978	Brodmann	D14/38
D. 261,708	11/1981	Ligrano	D6/85
3,860,119	1/1975	Irvine et al.	211/45

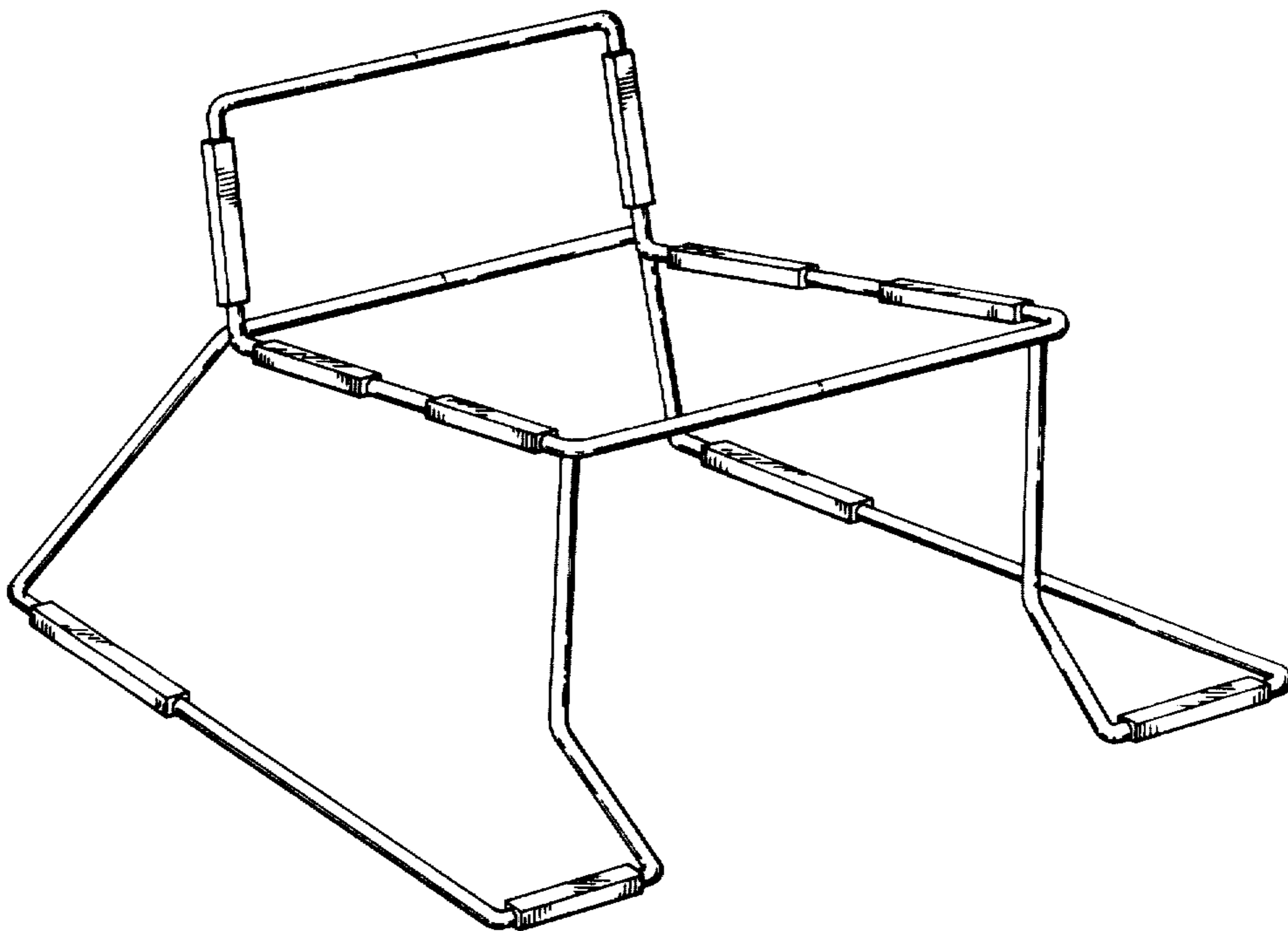
Primary Examiner—Winifred E. Herrmann
Assistant Examiner—Carmen H. Vales
Attorney, Agent, or Firm—Parrish & Mulrooney

[57] **CLAIM**

The ornamental design for a speaker stand, as shown.

DESCRIPTION

FIG. 1 is a perspective view of a speaker stand showing my new design; FIG. 2 is a left side elevational view thereof; and FIG. 3 is a front elevational view thereof.



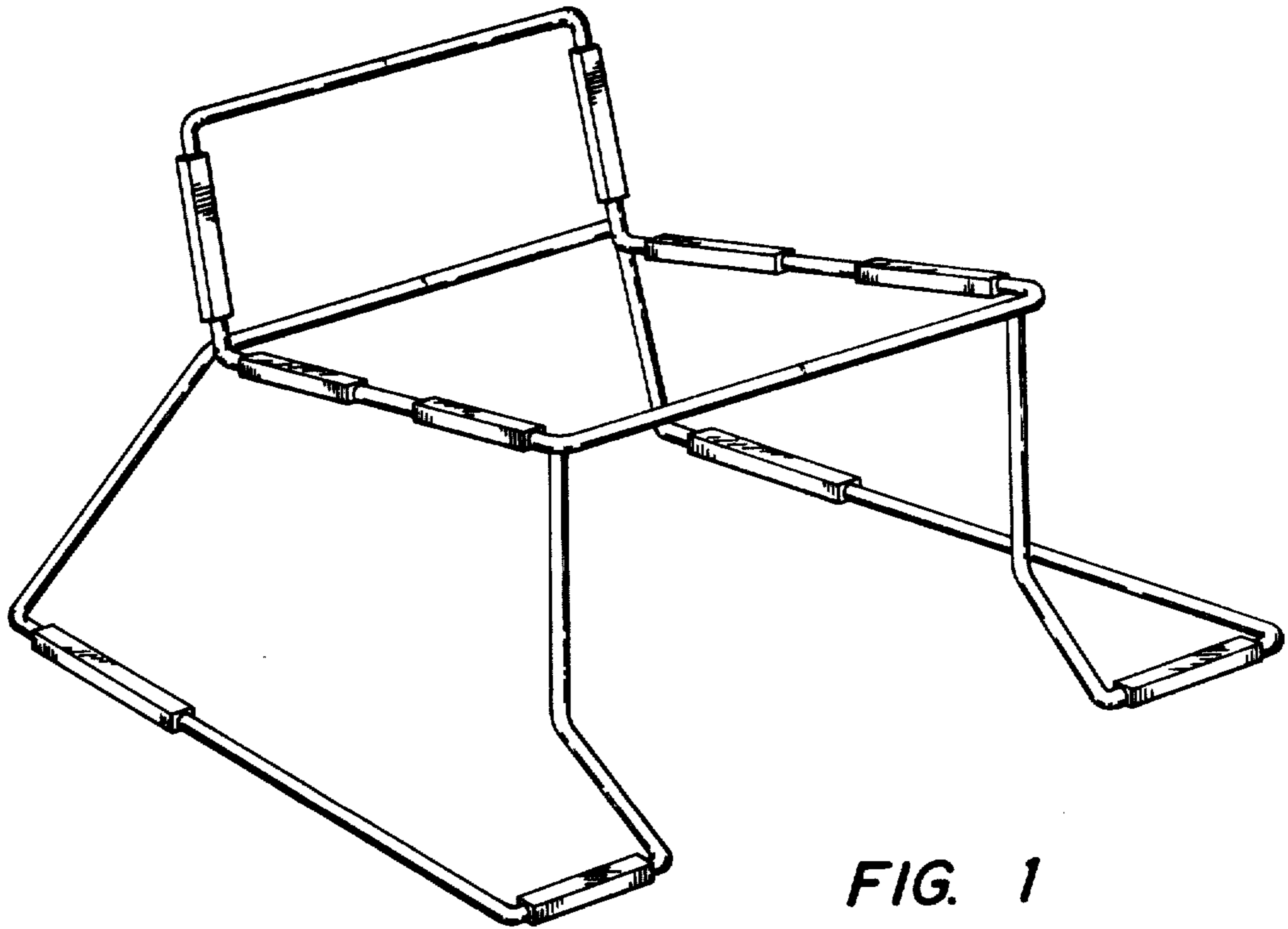


FIG. 1

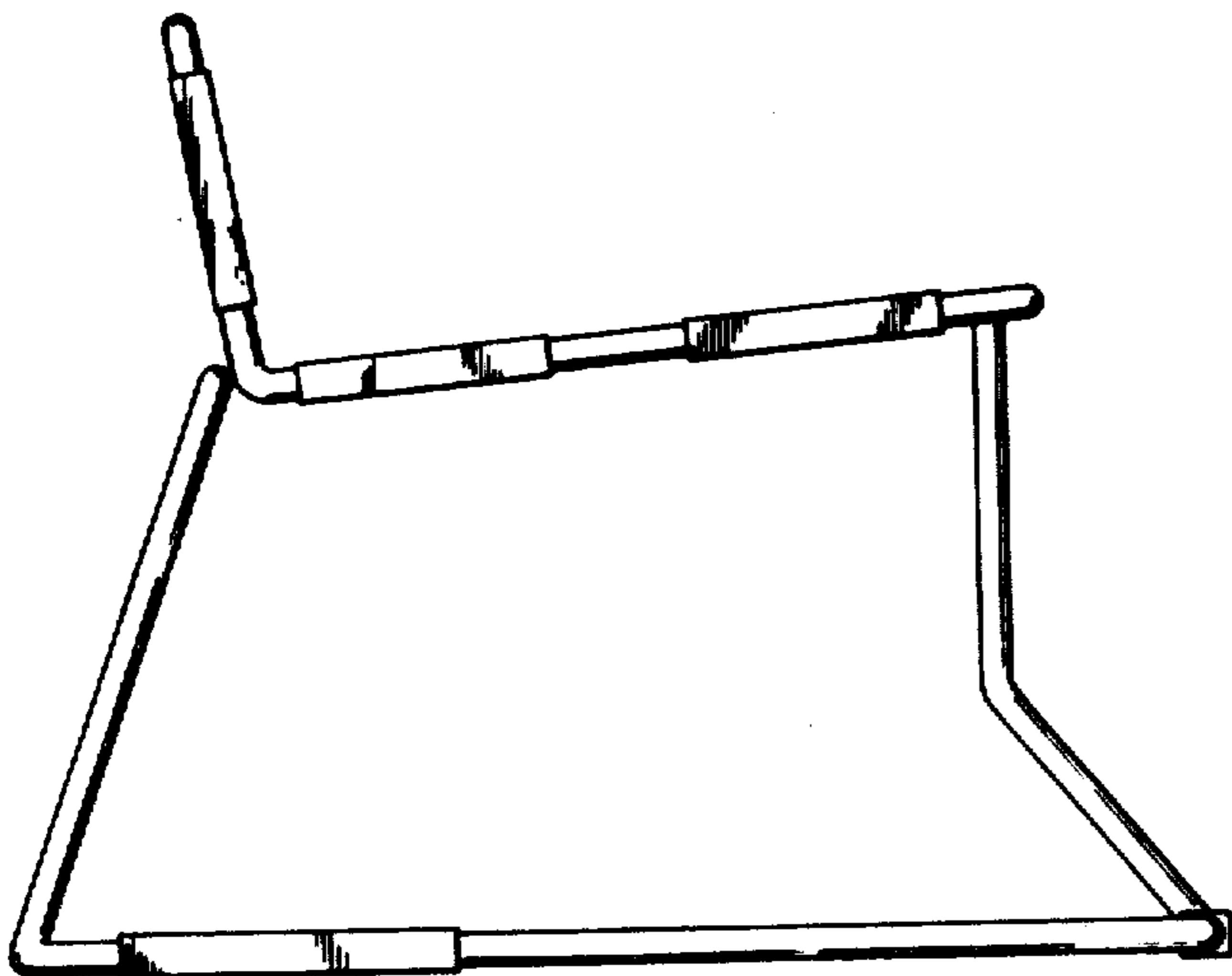


FIG. 2

FIG. 3

