

[54] **GARMENT DISPLAY RACK**
[76] **Inventor:** Daniel E. Gelles, 215 Lexington Ave., New York, N.Y. 10016
[**] **Term:** 14 Years
[21] **Appl. No.:** 281,092
[22] **Filed:** Jul. 7, 1981
[51] **Int. Cl.** D06-04
[52] **U.S. Cl.** D6/85; D6/186
[58] **Field of Search** D6/85, 181, 186, 157; 211/13

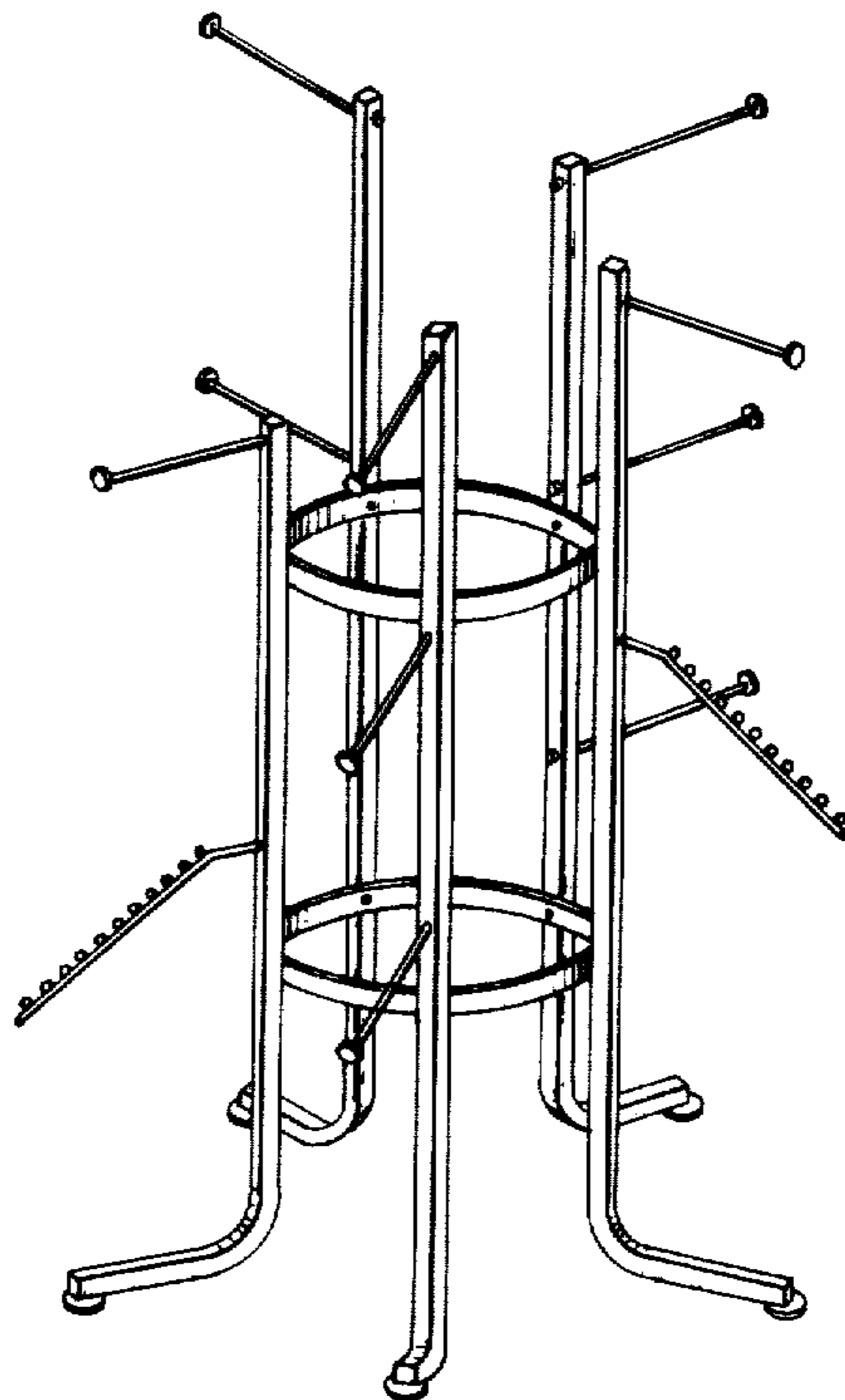
[56] **References Cited**
U.S. PATENT DOCUMENTS
D. 174,912 6/1955 Mangin D6/190
D. 228,539 10/1973 Gelles D6/85

D. 233,288 10/1974 Bluemel D6/85

OTHER PUBLICATIONS
Visual Merchandising May 1977 p. 22; "Meg" Chrome Garment Rack top left of page.
Visual Merchandising Jun. 1979, p. 50; Garment Rack on page.
Primary Examiner—Joel Stearman
Assistant Examiner—Carmen Vales
Attorney, Agent, or Firm—Albert F. Kronman

[57] **CLAIM**
The ornamental design for a garment display rack, substantially as shown.

DESCRIPTION
FIG. 1 is a perspective view of a garment display rack showing my new design; and FIG. 2 is a top plan view thereof.



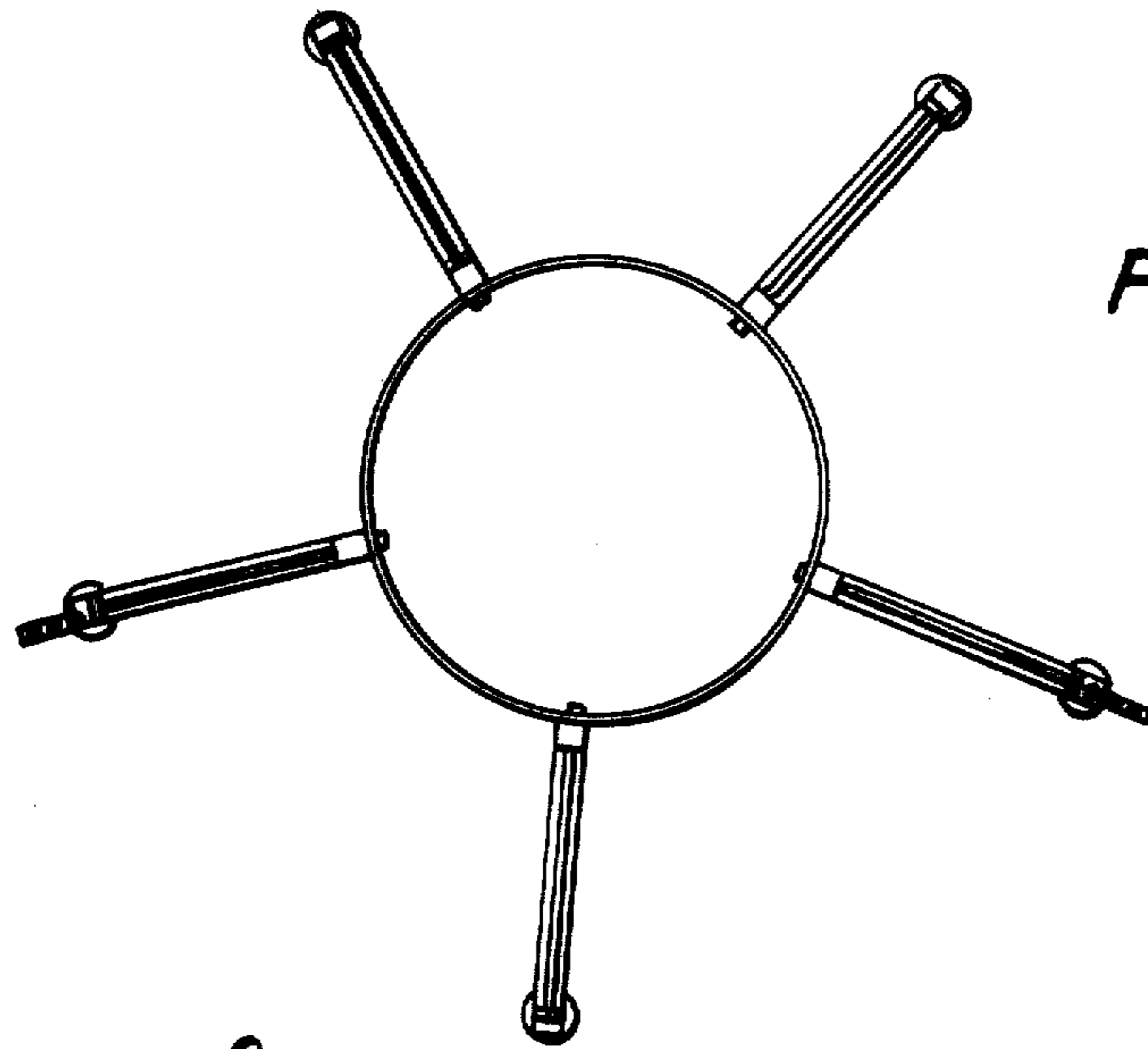


FIG. 2

FIG. 1

