

[54] CHAIR

[75] Inventor: M. Richard Schultz, Bartow, Pa.

[73] Assignee: Stow/Davis Furniture Company,
Grand Rapids, Mich.

[**] Term: 14 Years

[21] Appl. No.: 243,207

[22] Filed: Mar. 12, 1981

[51] Int. Cl. D6—01

[52] U.S. Cl. D6/30; D6/35

[58] Field of Search D6/30, 31, 32-35

[56] References Cited

PUBLICATIONS

Interiors, Sep. 1980, p. 59, side chair bottom left by Stow/Davis.

Global Upholstery Cat. 1975 Edition, p. 14, Chair No. 2424 left center.

Interiors, May 1976, p. 56, Stool No. 2000FR upper left center, Buzan Adv.

Primary Examiner—Bruce W. Dunkins

Attorney, Agent, or Firm—Price, Heneveld, Huizenga & Cooper

[57] CLAIM

The ornamental design for chair, substantially as shown and described.

DESCRIPTION

FIG. 1 is a perspective view of a chair made in accordance with my design;

FIG. 2 is a front elevational view of the chair;

FIG. 3 is a top plan view of the chair;

FIG. 4 is a side elevational view of the chair;

FIG. 5 is a rear elevational view of the chair;

FIG. 6 is a bottom plan view of the chair;

FIG. 7 is a perspective view of an alternative embodiment of the chair;

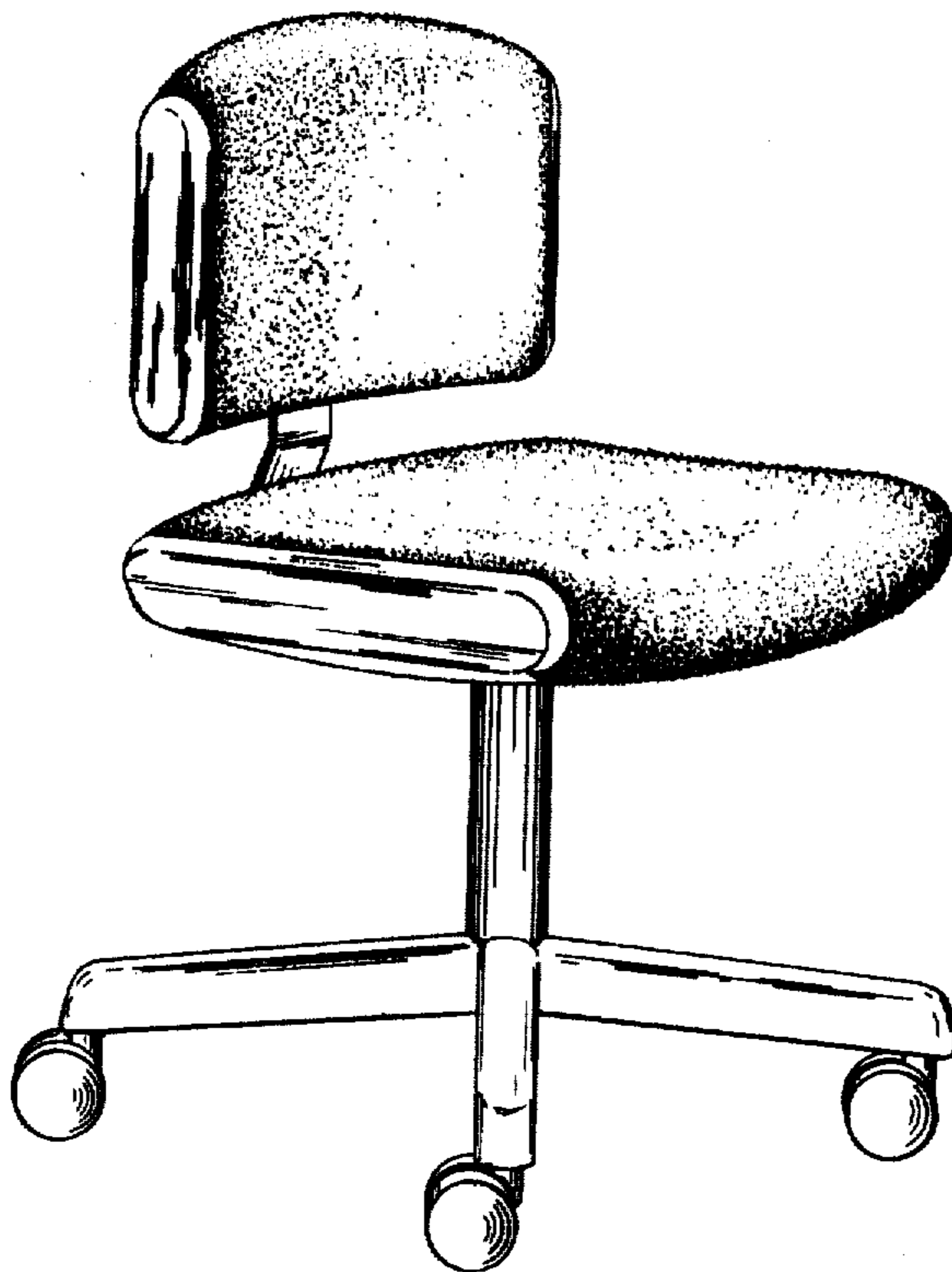
FIG. 8 is a front elevational view of the chair shown in FIG. 7;

FIG. 9 is a top plan view of the chair shown in FIG. 7;

FIG. 10 is a side elevational view of the chair shown in FIG. 7;

FIG. 11 is a rear elevational view of the chair shown in FIG. 7; and

FIG. 12 is a bottom plan view of the chair shown in FIG. 7.



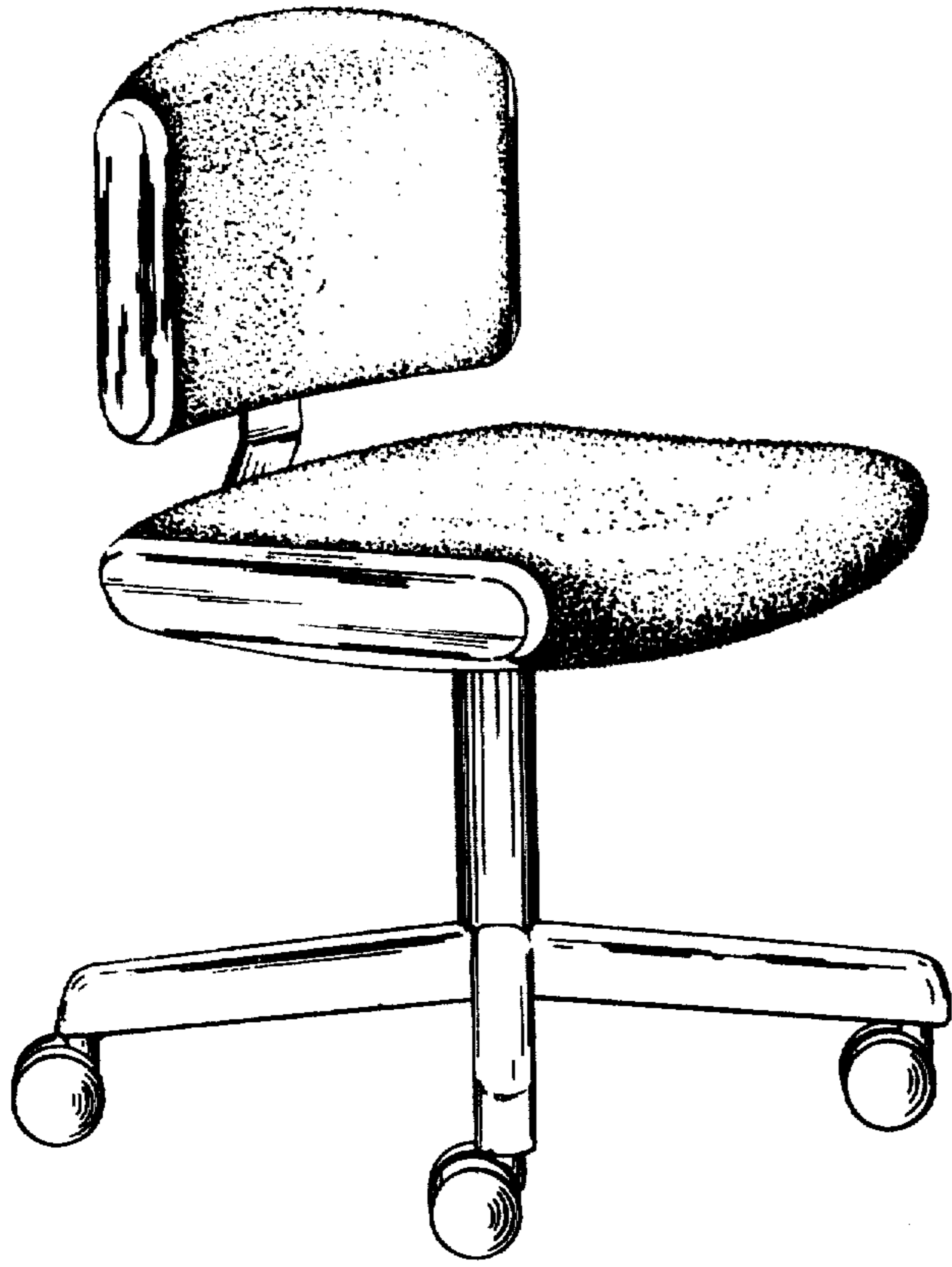


Fig. 1.

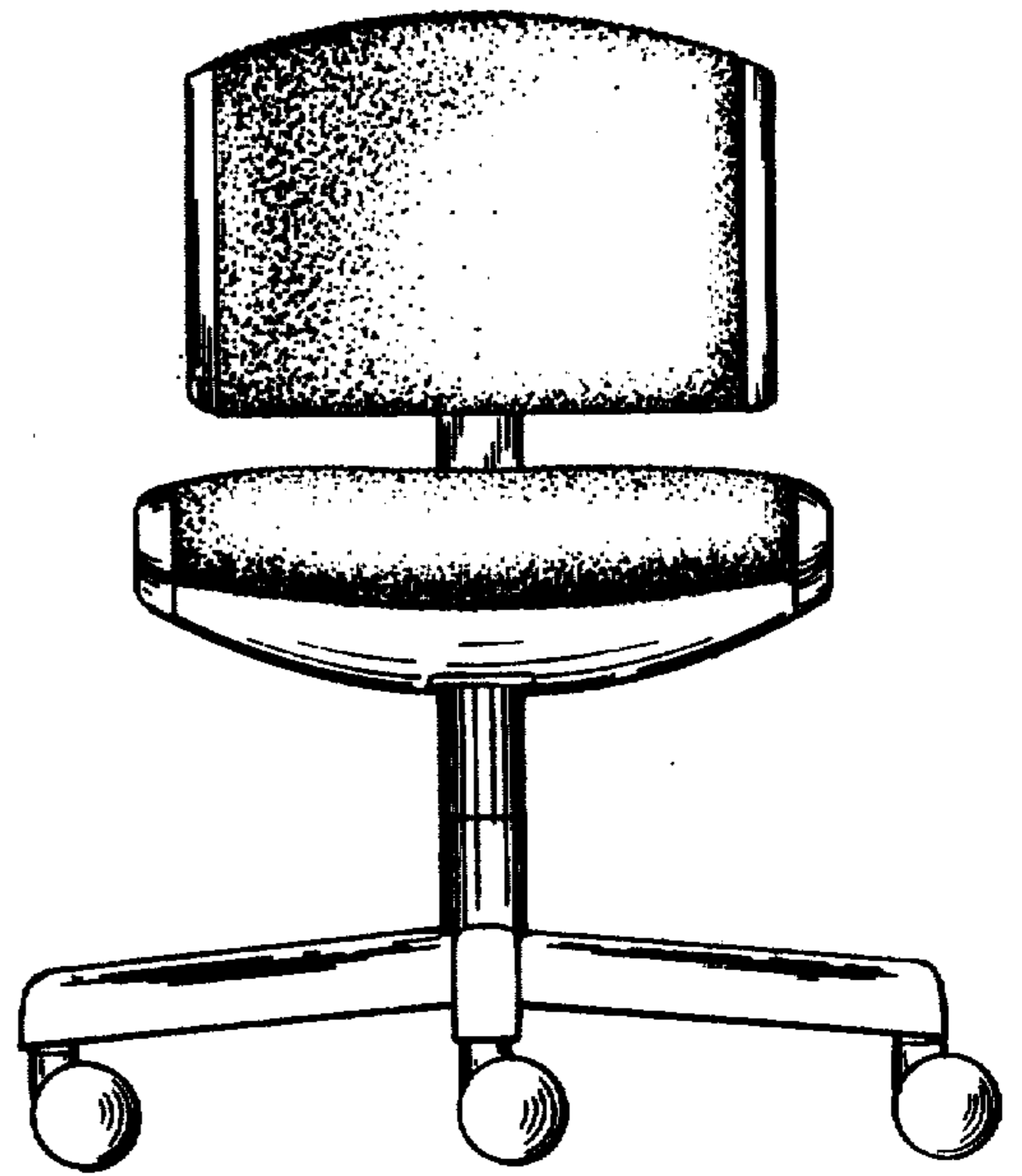


Fig. 2.

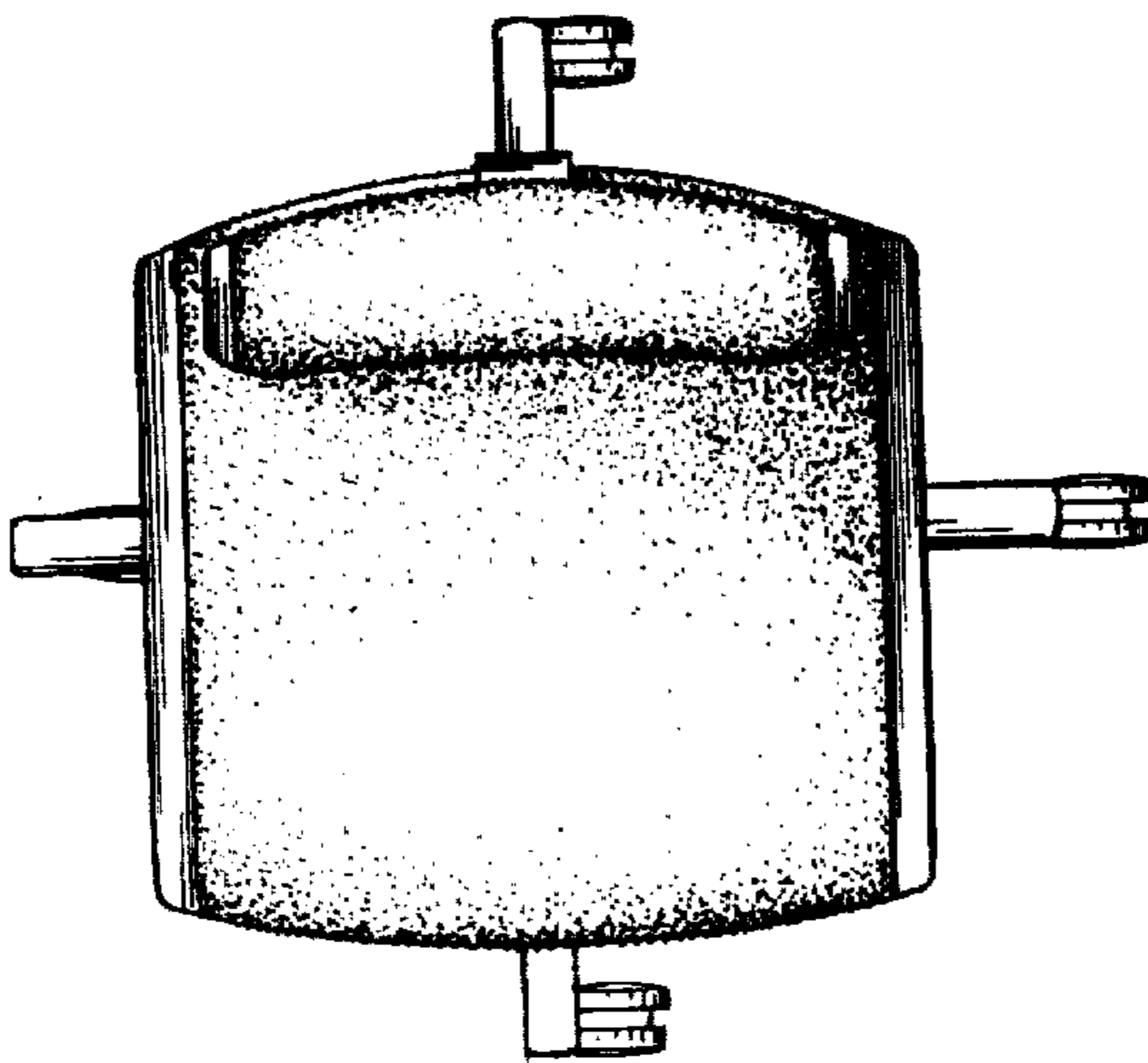


Fig. 3.

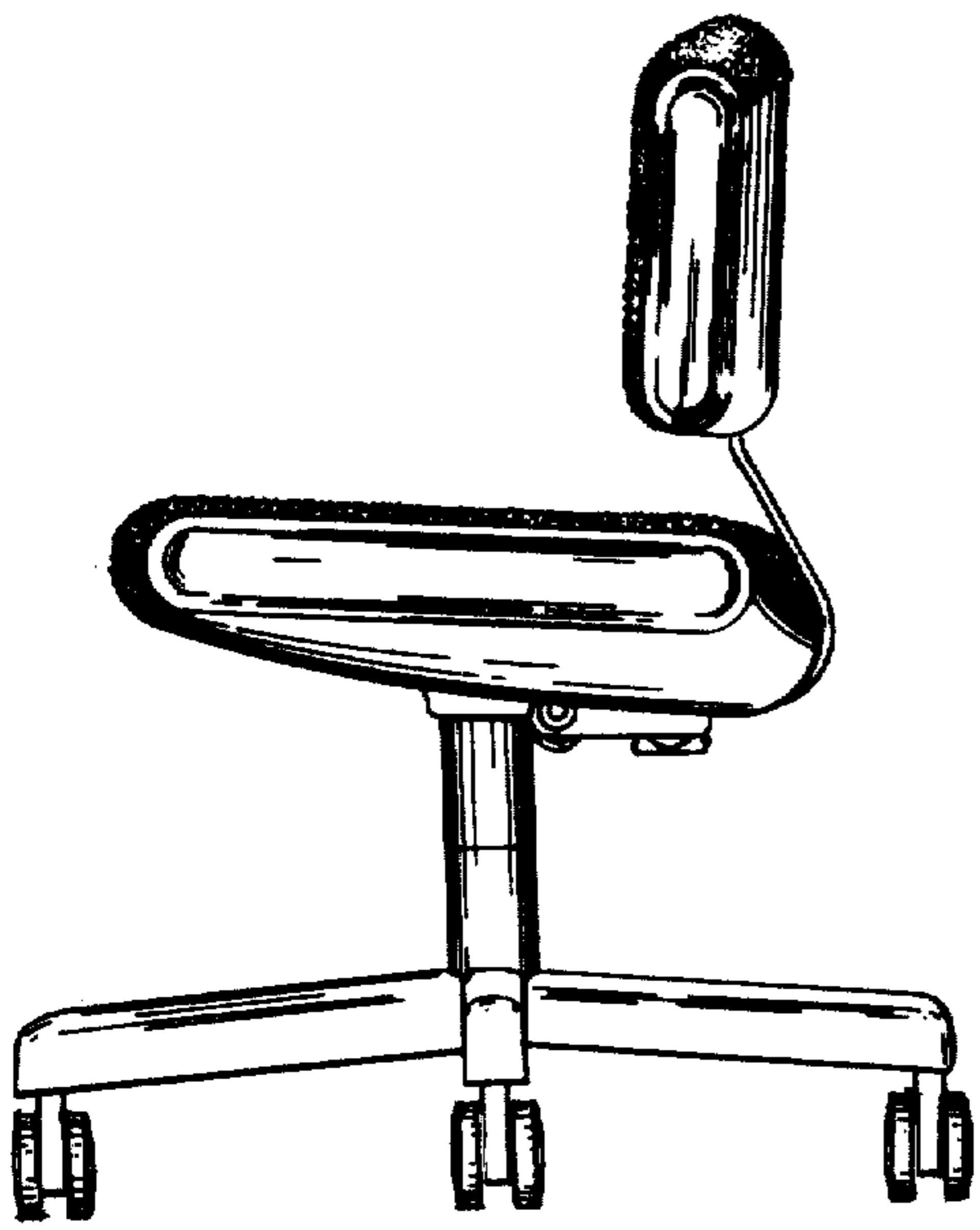


Fig. 4.

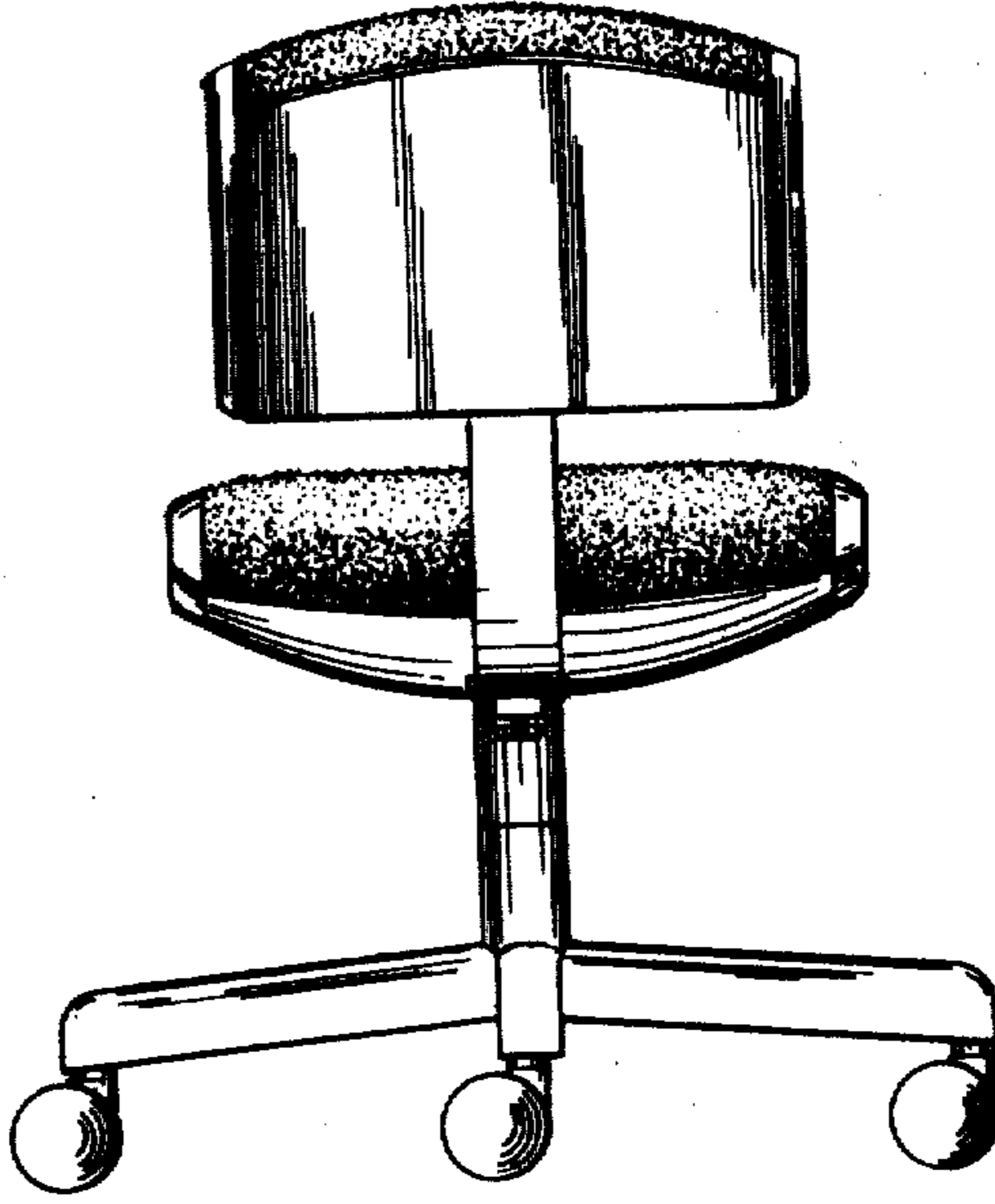


Fig. 5.

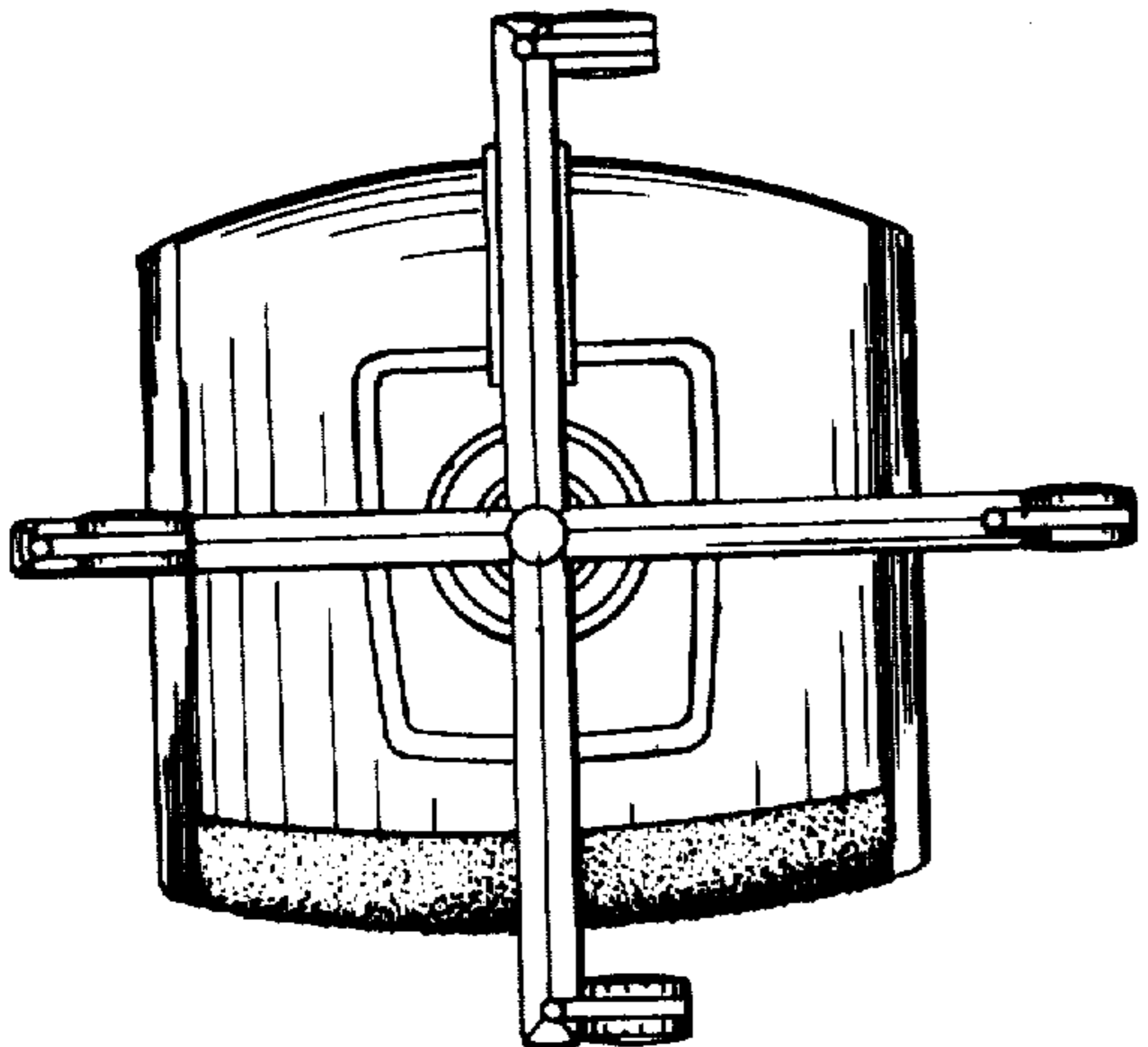


Fig. 6.

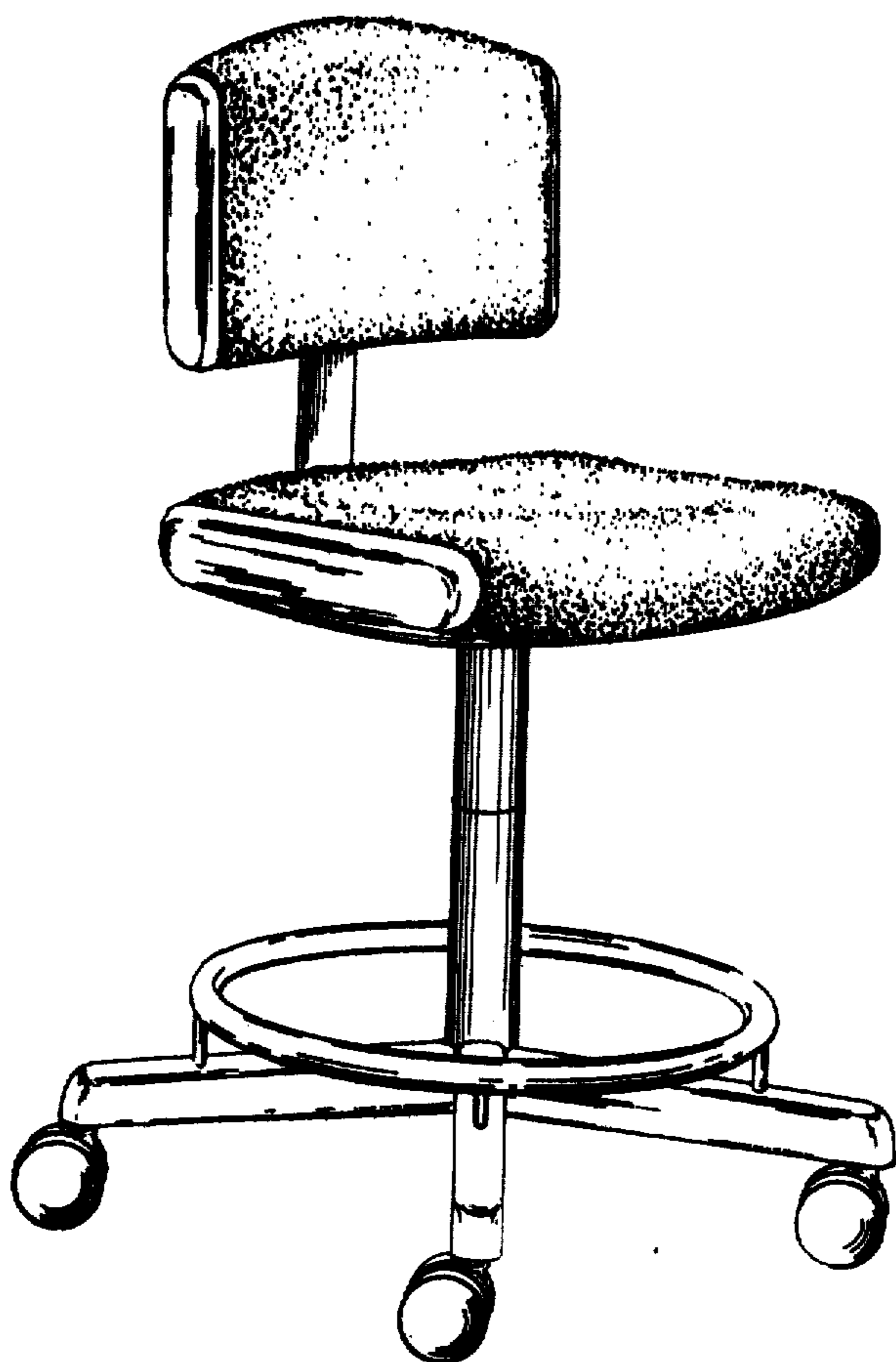


Fig. 7.

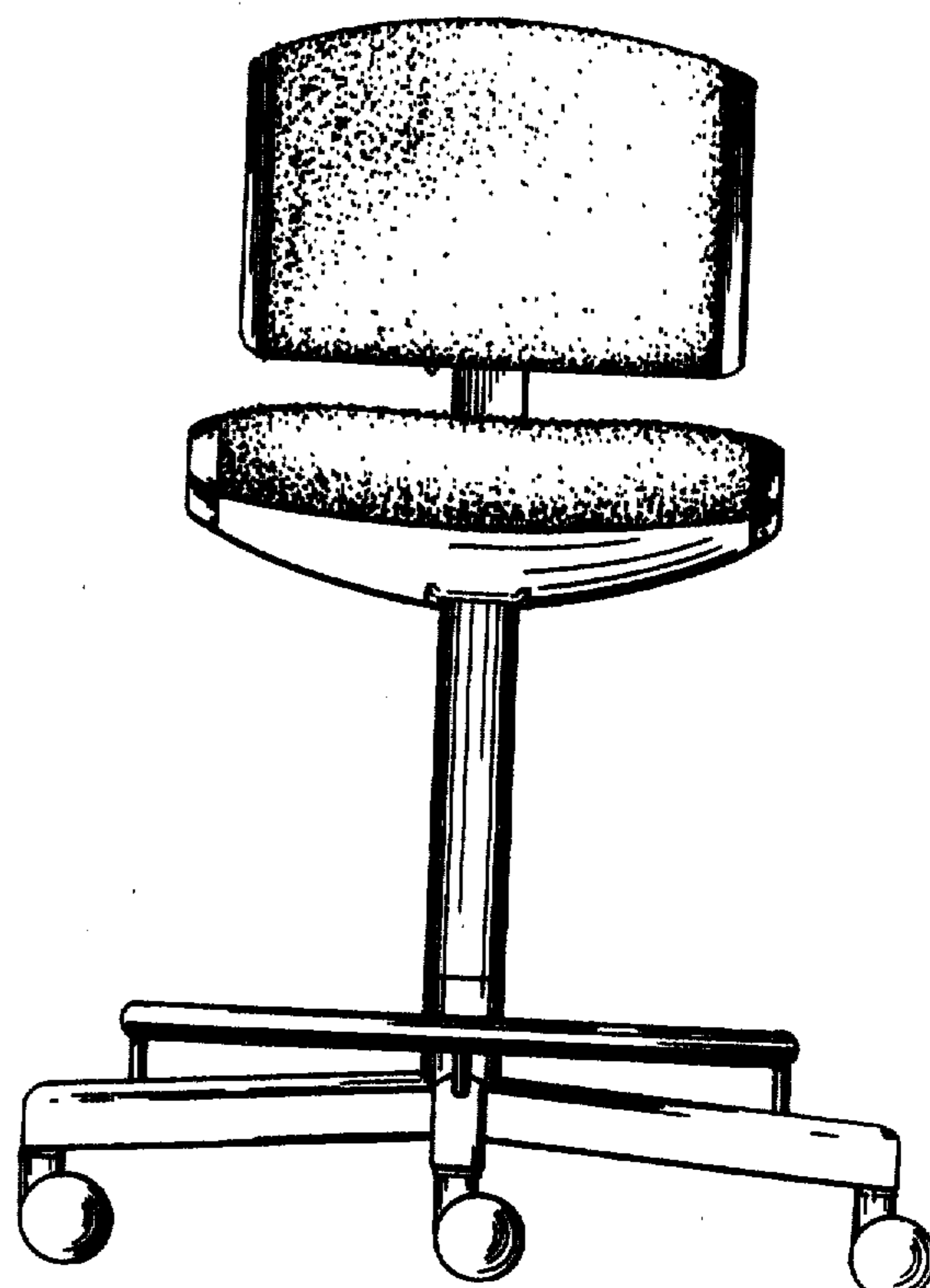


Fig. 8.

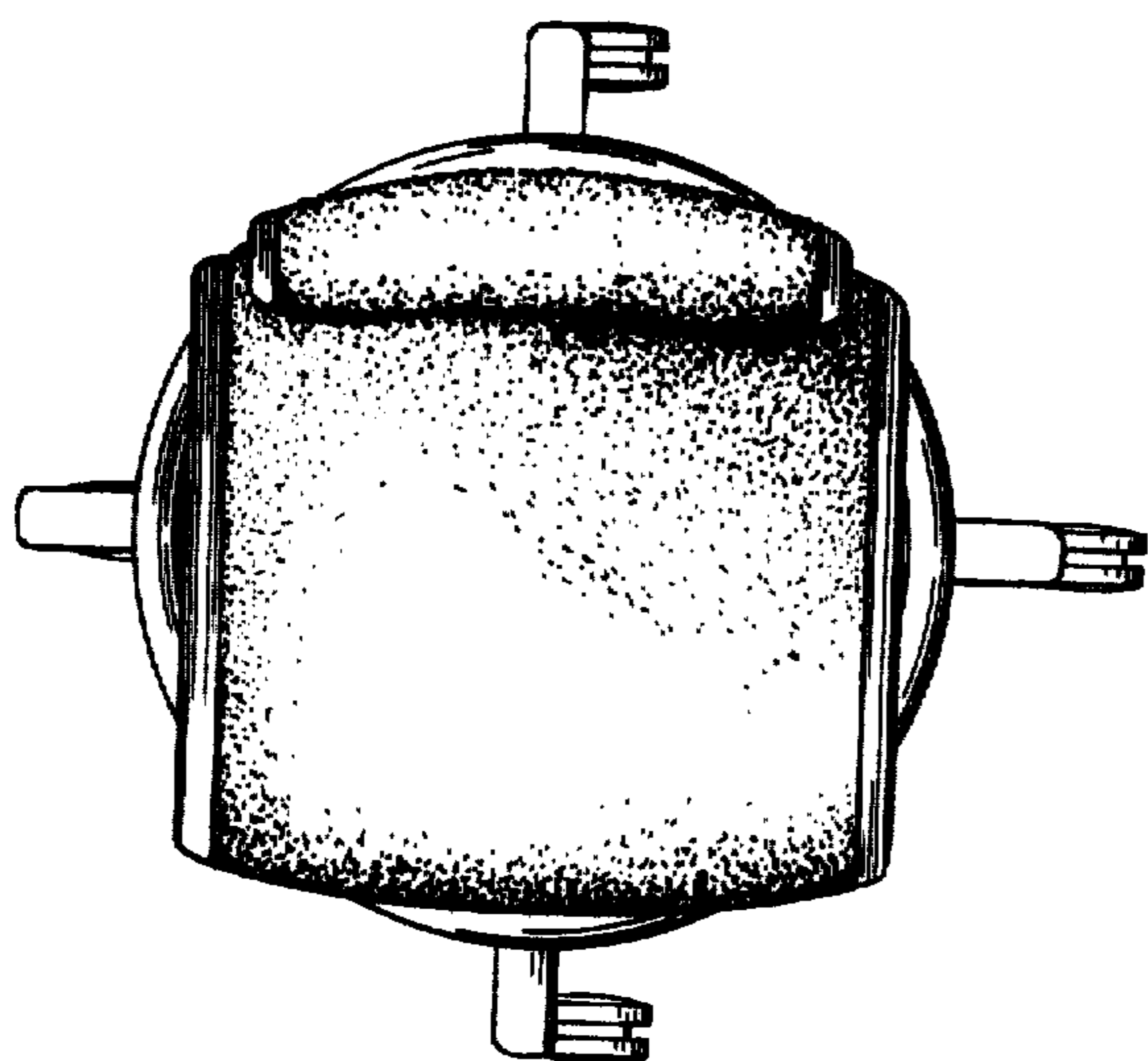


Fig. 9.

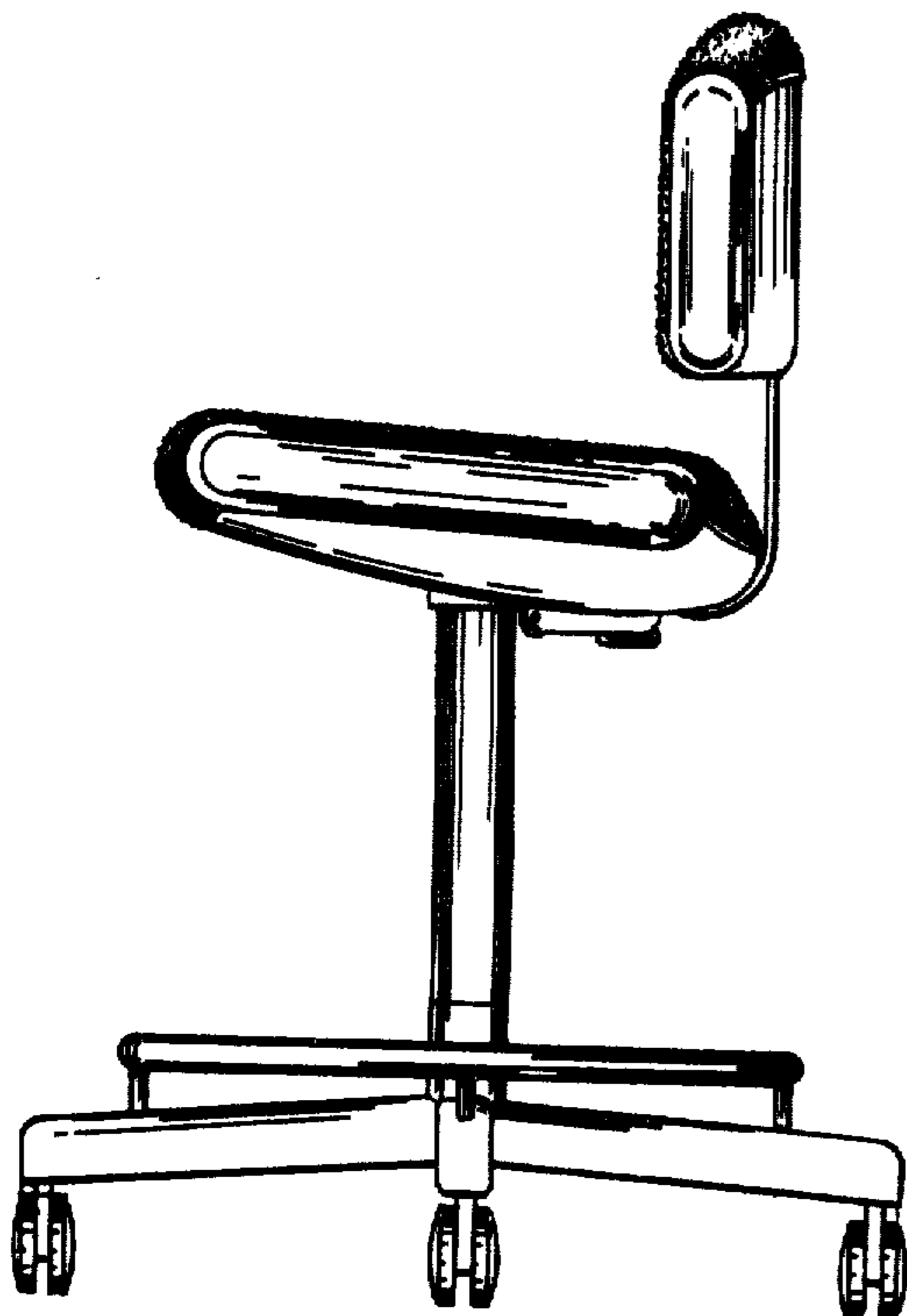


Fig. 10.

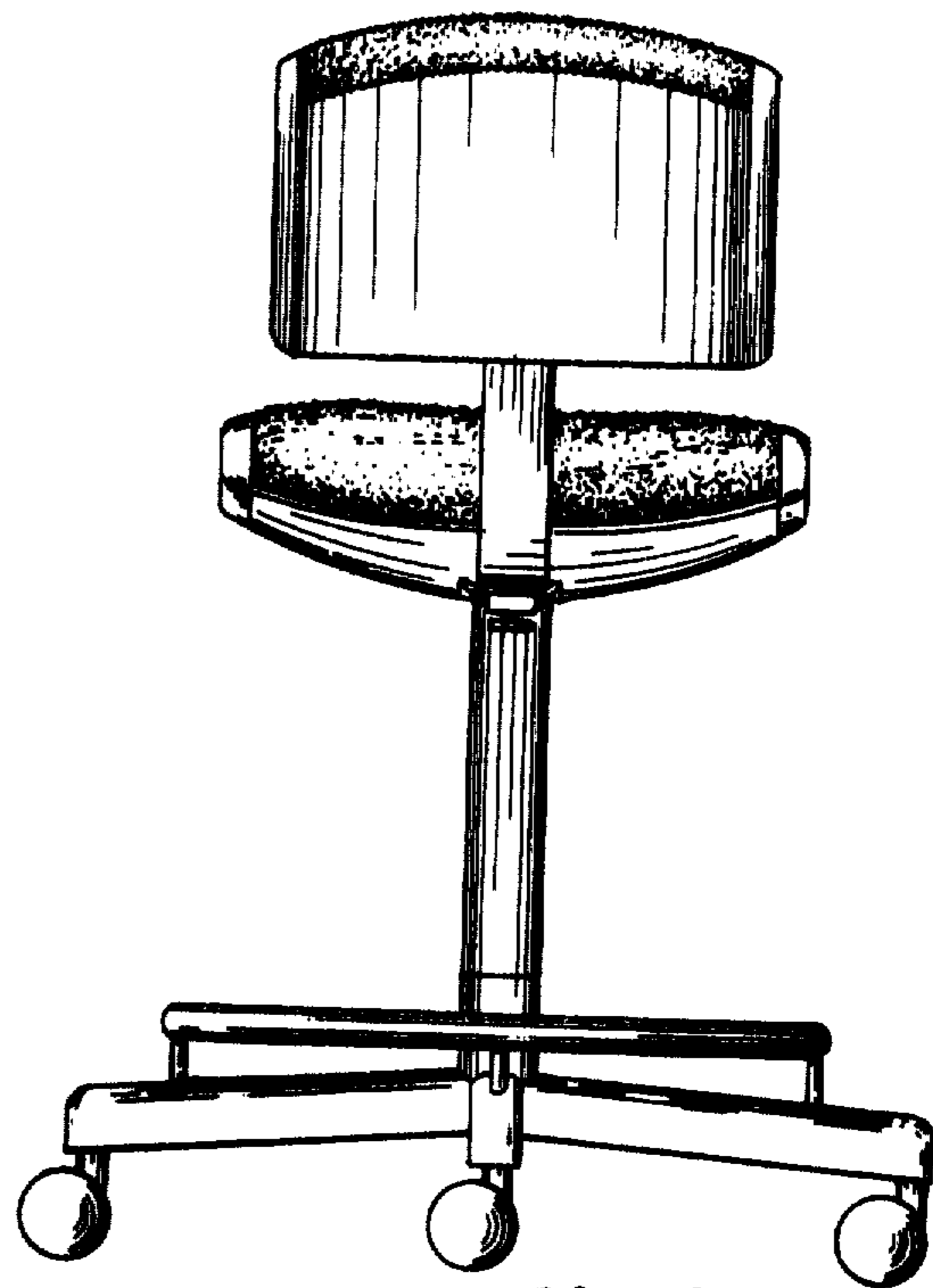


Fig. 11.

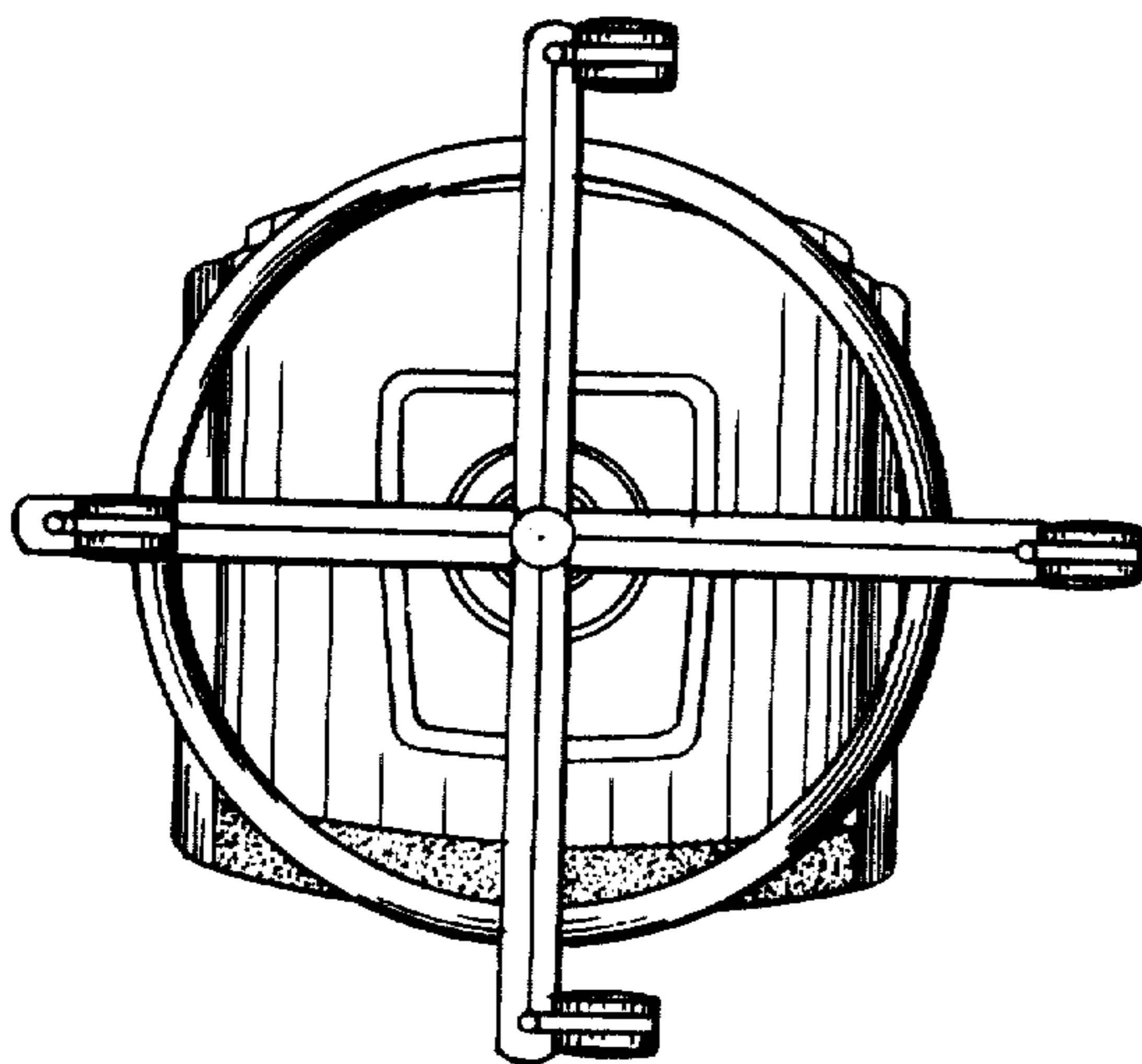


Fig. 12.

UNITED STATES PATENT AND TRADEMARK OFFICE
CERTIFICATE OF CORRECTION

PATENT NO. : Des. 272,777
DATED : February 28, 1984
INVENTOR(S) : M. Richard Schultz

It is certified that error appears in the above-identified patent and that said Letters Patent is hereby corrected as shown below:

Insert the following characteristic feature clause following the description of the figures:

--The characteristic feature of this design resides in the end caps extending from the opposite sides of the seat and the back rest and in the seat profile tapering from back to front as illustrated in Figs. 4 and 10.--

Signed and Sealed this

Twelfth Day of June 1984

[SEAL]

Attest:

Attesting Officer

GERALD J. MOSSINGHOFF

Commissioner of Patents and Trademarks