

- [54] AIR CLEANER OR THE LIKE
- [75] Inventors: Robert W. Fee, Wichita; Richard J. Robbins, Derby, both of Kans.
- [73] Assignee: Rival Manufacturing Co., Kansas City, Mo.
- [**] Term: 14 Years
- [21] Appl. No.: 312,508
- [22] Filed: Oct. 19, 1981
- [51] Int. Cl. D23-04
- [52] U.S. Cl. D23/149
- [58] Field of Search D23/139-167; 55/138, 316, 285 G, 467, 472, 279; 416/247 R; 417/361

- 4,377,399 3/1983 Bryson 55/472 X
- 4,385,911 5/1983 Popeil et al. 55/472 X

OTHER PUBLICATIONS

Electrical Merchandising, Jul. 1, 1947, p. 30.
Industrial Design, Jun. 1955, p. 110, second Fan from top right.

Primary Examiner—James R. Largen
Attorney, Agent, or Firm—William, Brinks, Olds, Hofer, Gilson & Lione, Ltd.

[57] CLAIM

The ornamental design for an air cleaner or the like, substantially as shown.

DESCRIPTION

FIG. 1 is a perspective view taken from the top, front and left side of an air cleaner or the like showing our new design;

FIG. 2 is a perspective view taken from the top, rear and left side thereof;

FIG. 3 is left side elevational view of FIG. 2;

FIG. 4 is a top plan view of FIG. 2;

FIG. 5 is a front elevational view of FIG. 2;

FIG. 6 is a rear elevational view of FIG. 2;

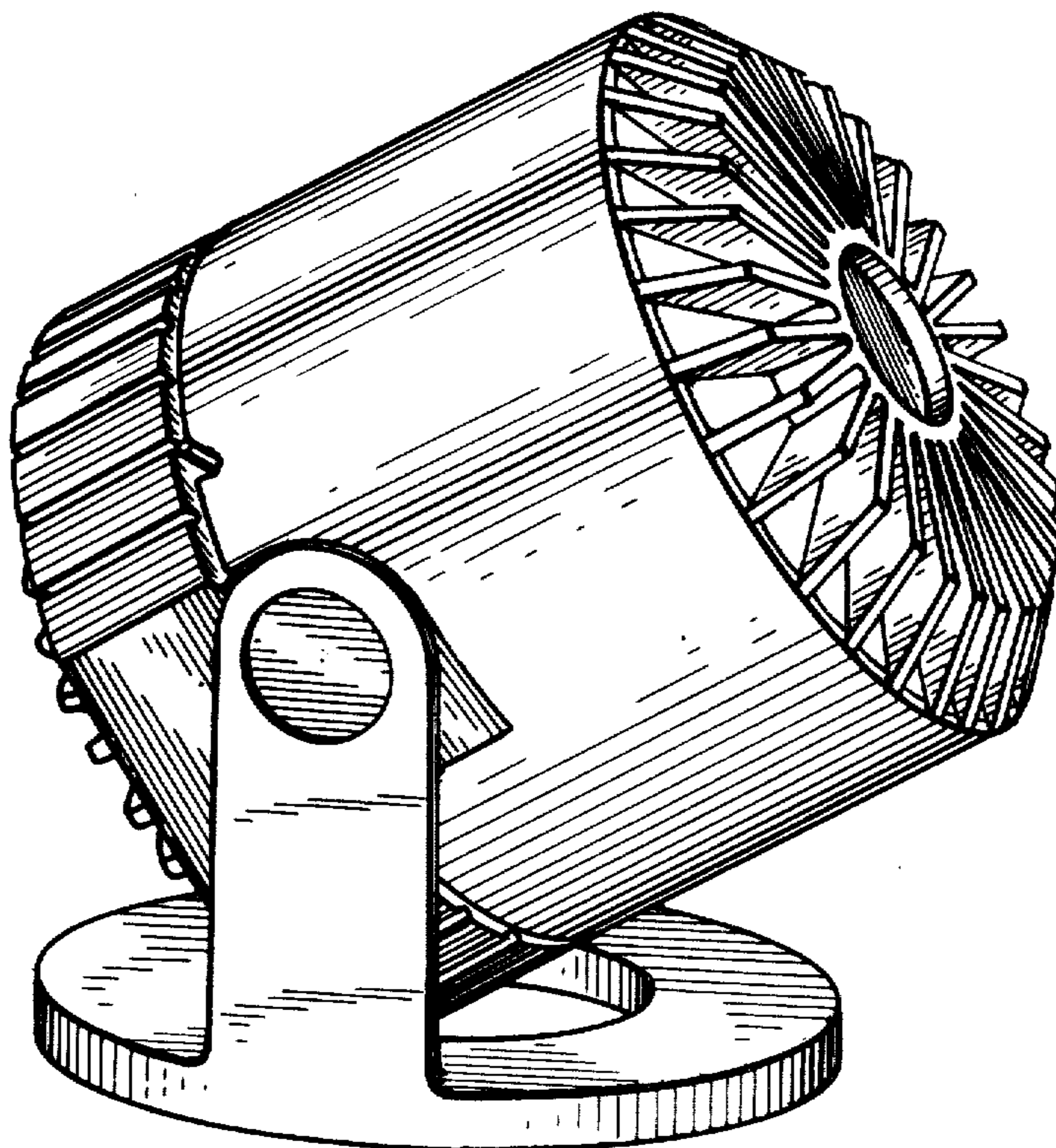
FIG. 7 is a bottom plan view of FIG. 2; and

FIG. 8 is a right side elevational view thereof, showing the cleaner housing rotated 90 degrees from the position shown in FIG. 2.

[56] References Cited

U.S. PATENT DOCUMENTS

- D. 160,391 10/1950 Hutcheson D23/160
- D. 181,416 11/1957 Hewitt D23/156
- D. 221,763 9/1971 Gilbertson D23/149
- D. 266,585 10/1982 Rakocy et al. D23/149
- D. 267,114 11/1982 Lynch, Jr. et al. D23/149
- 2,667,301 1/1954 Lauther D23/156 X
- 3,745,750 7/1973 Arff 55/316 X
- 3,861,894 1/1975 Marsh 55/316
- 4,272,261 6/1981 Lynch, Jr. et al. 55/472 X



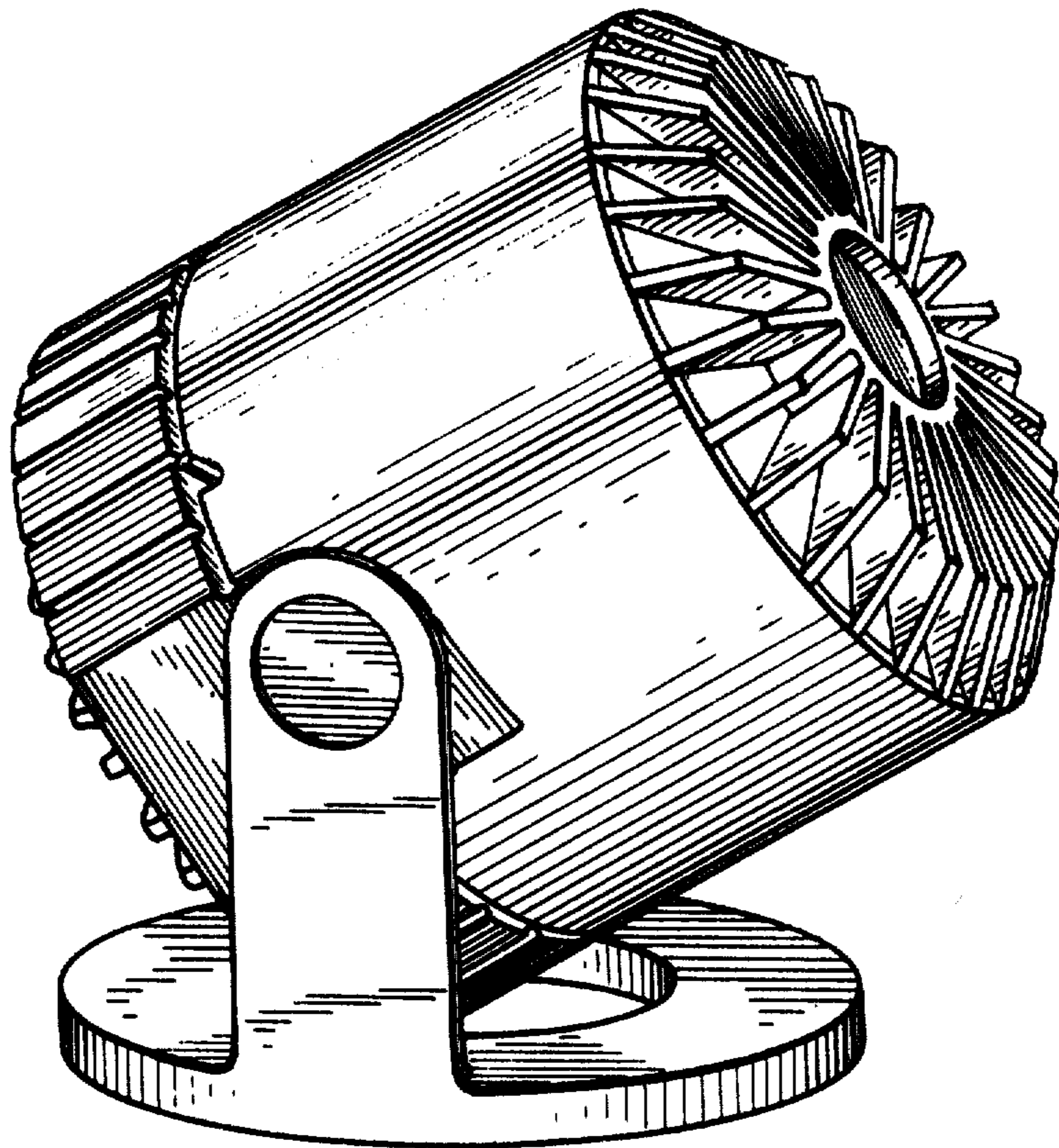


FIG. 1

FIG. 2

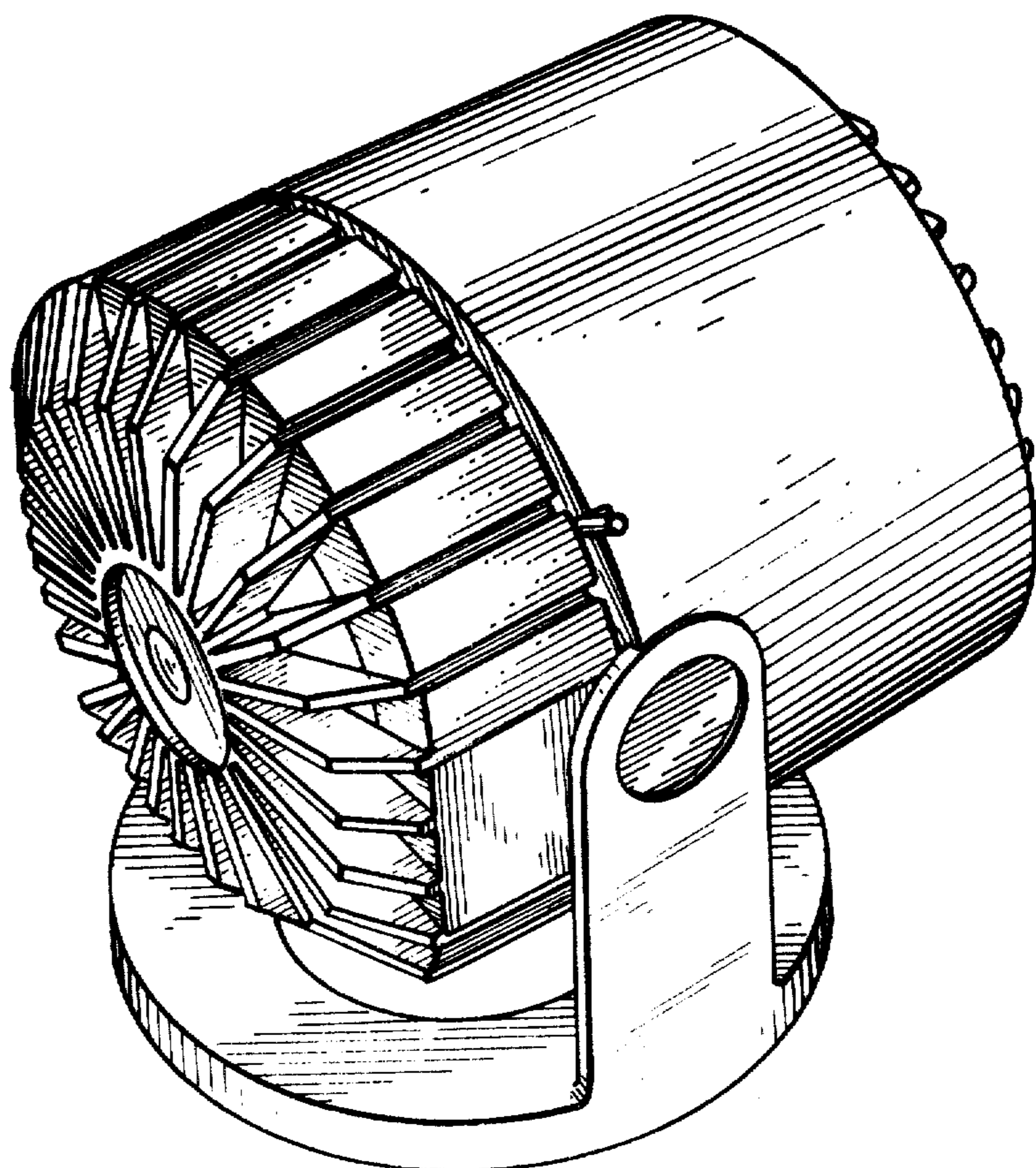


FIG. 3

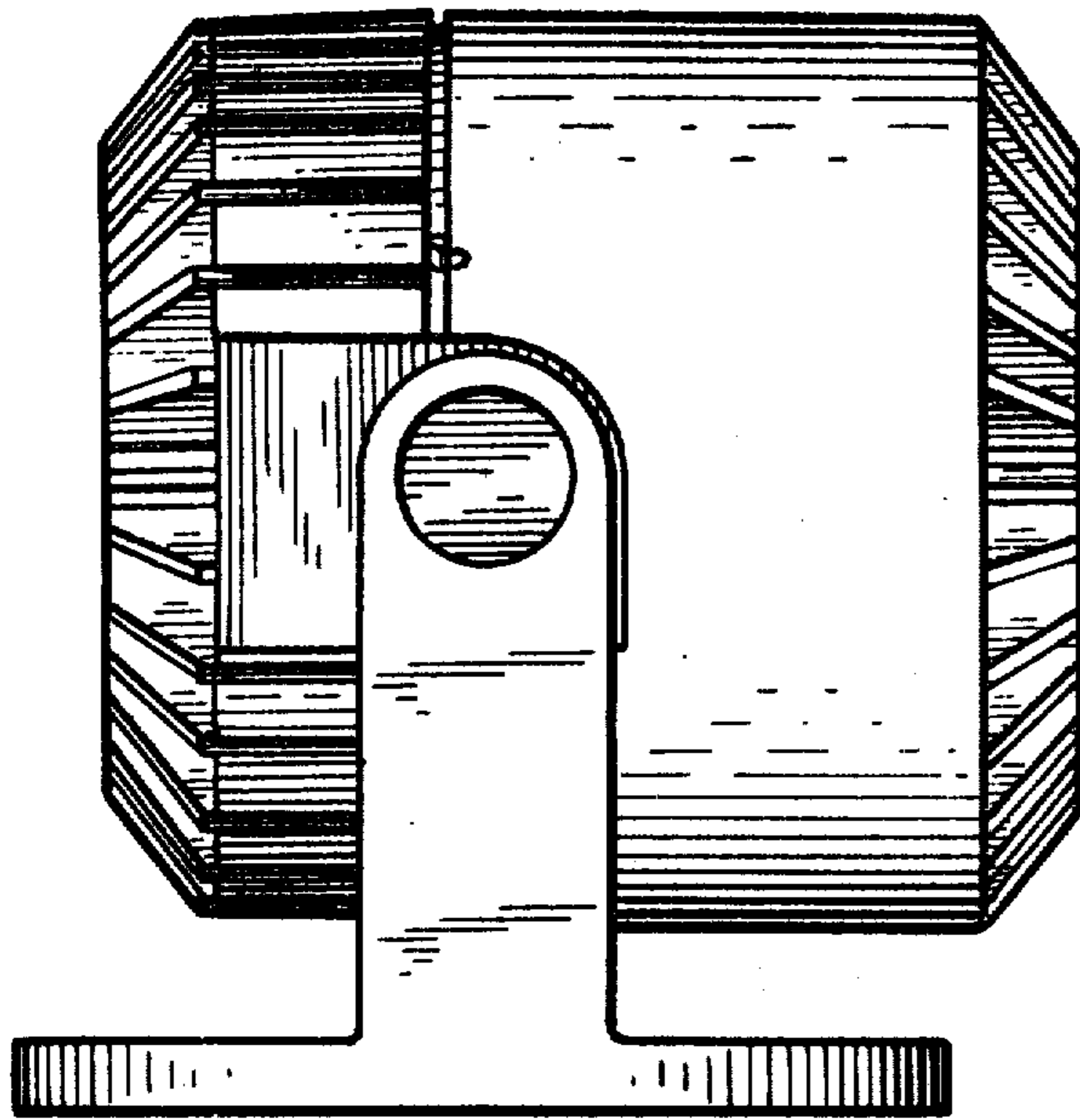


FIG. 5

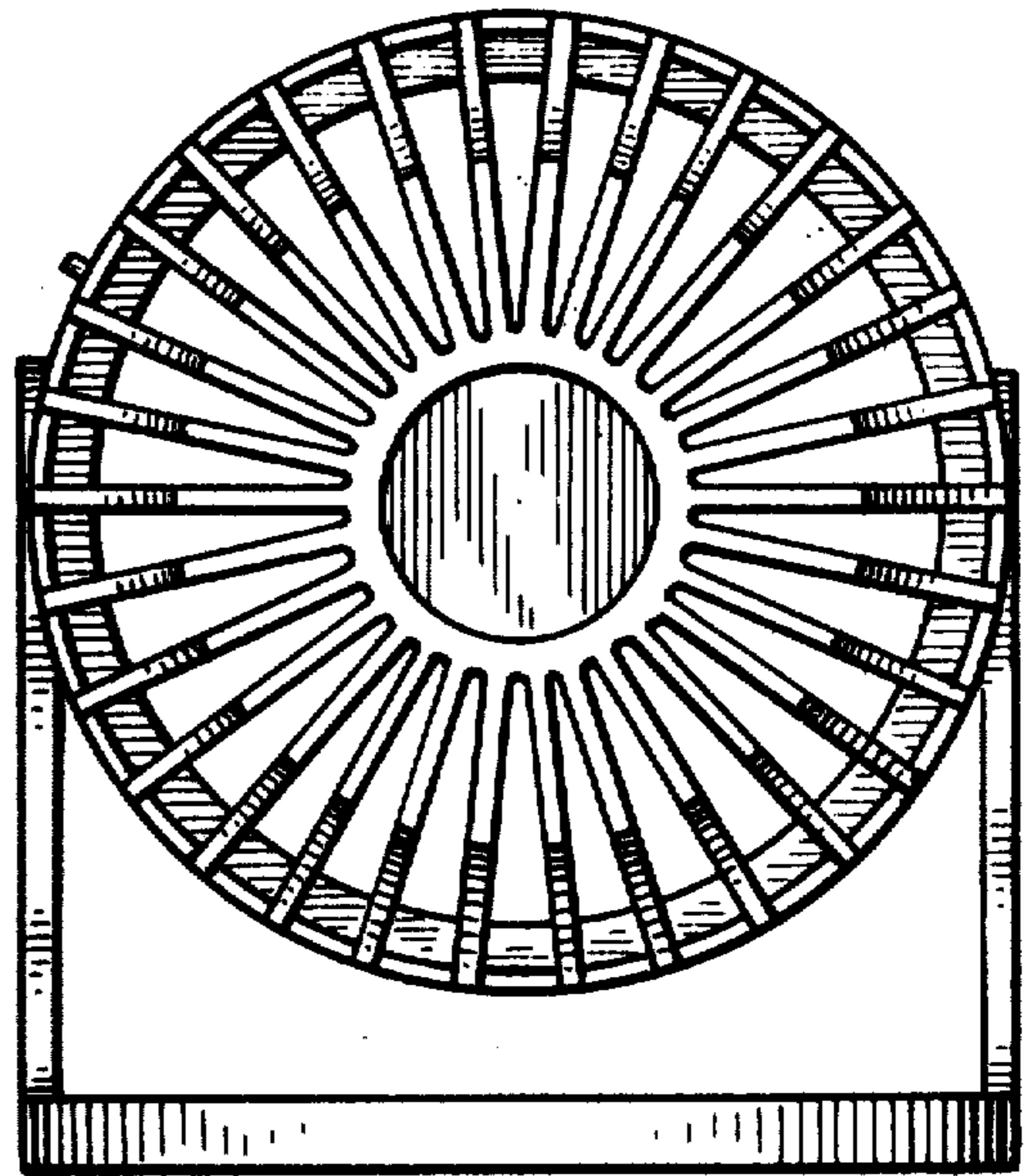


FIG. 4

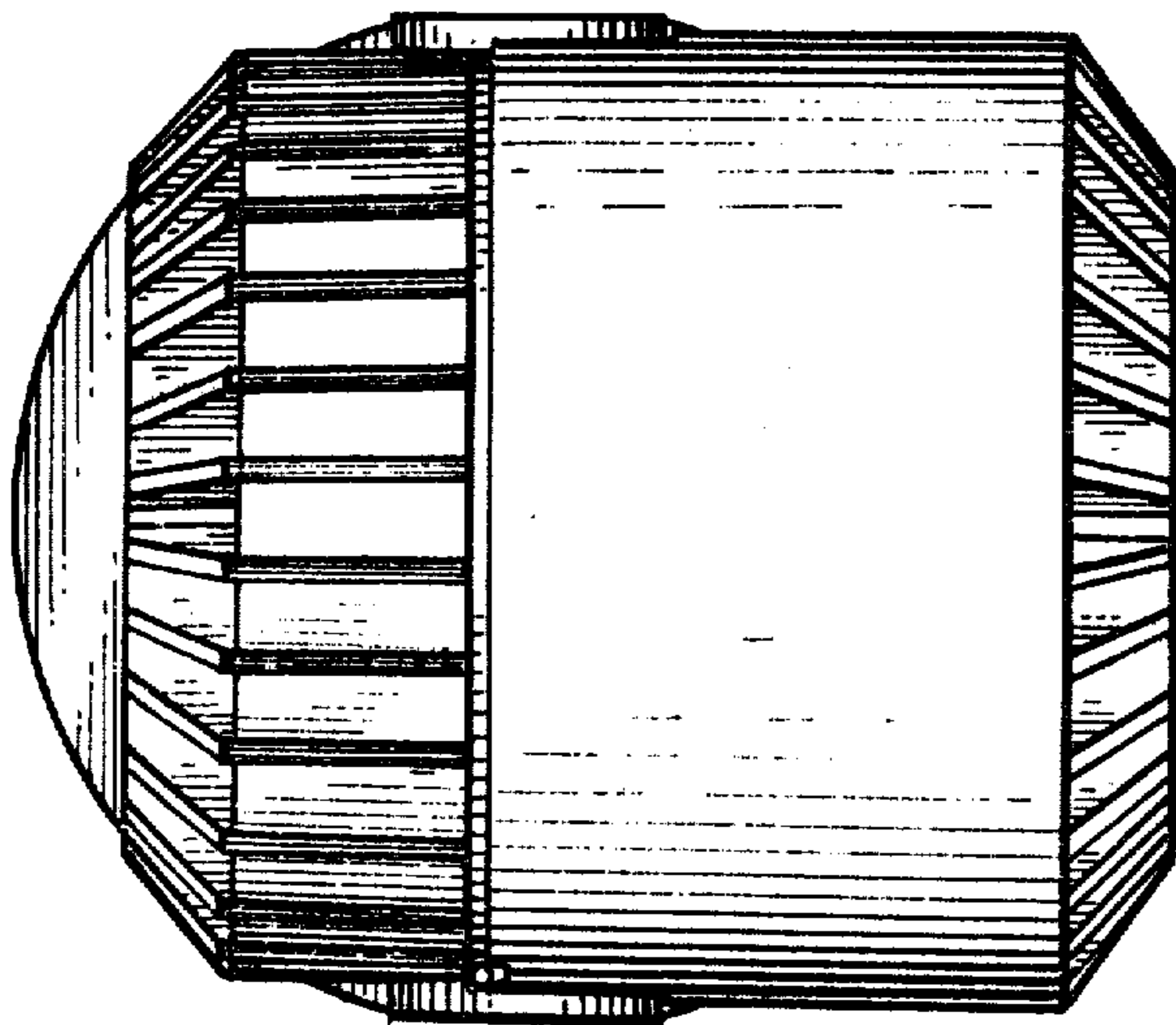


FIG. 6

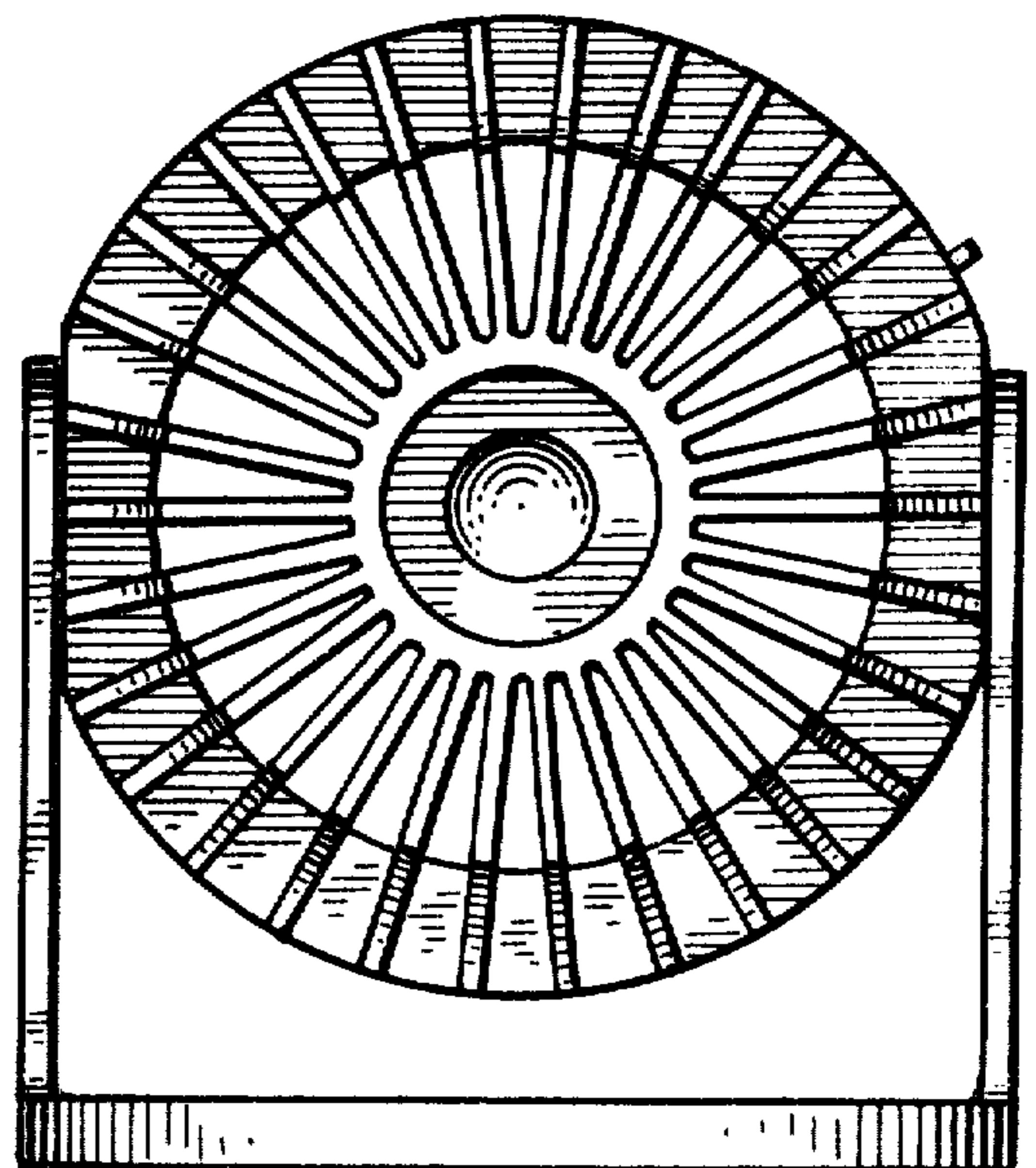


FIG. 8

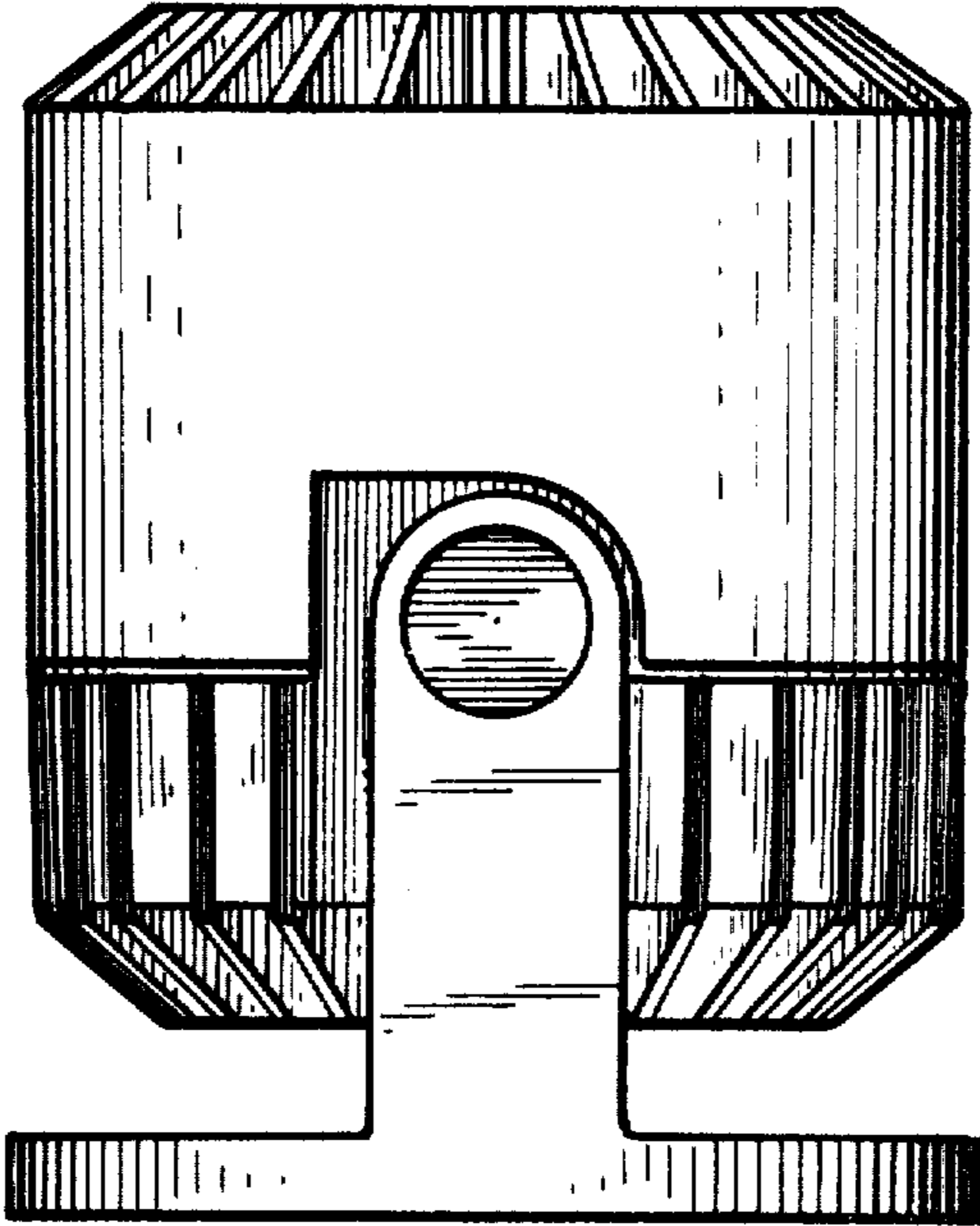


FIG. 7

