

[54] FRONT PANEL FOR A FIREPLACE

[75] Inventors: Thomas R. Rehberg, Orange; John W. Moroney, Glendora, both of Calif.

[73] Assignee: Mobex Corporation, Fullerton, Calif.

[\*\*] Term: 14 Years

[21] Appl. No.: 338,893

[22] Filed: Jan. 12, 1982

[51] Int. Cl. .... D23—03

[52] U.S. Cl. .... D23/128

[58] Field of Search ..... D23/92-97,  
D23/128; 126/4, 6, 58, 60-66, 120, 121, 123,  
126

[56] **References Cited**

**U.S. PATENT DOCUMENTS**

D. 250,833 1/1979 Loftis et al. .... D23/97

D. 262,135 12/1981 Halls ..... D23/94

D. 267,112 11/1982 Connelly ..... D23/93

Primary Examiner—Catherine E. Kemper  
Attorney, Agent, or Firm—Christie, Parker & Hale

[57] CLAIM

The ornamental design for a front panel for a fireplace, substantially as shown and described.

DESCRIPTION

FIG. 1 is a perspective view of a front panel for a fireplace, showing our new design;

FIG. 2 is a front elevational view thereof;

FIG. 3 is a top plan view thereof;

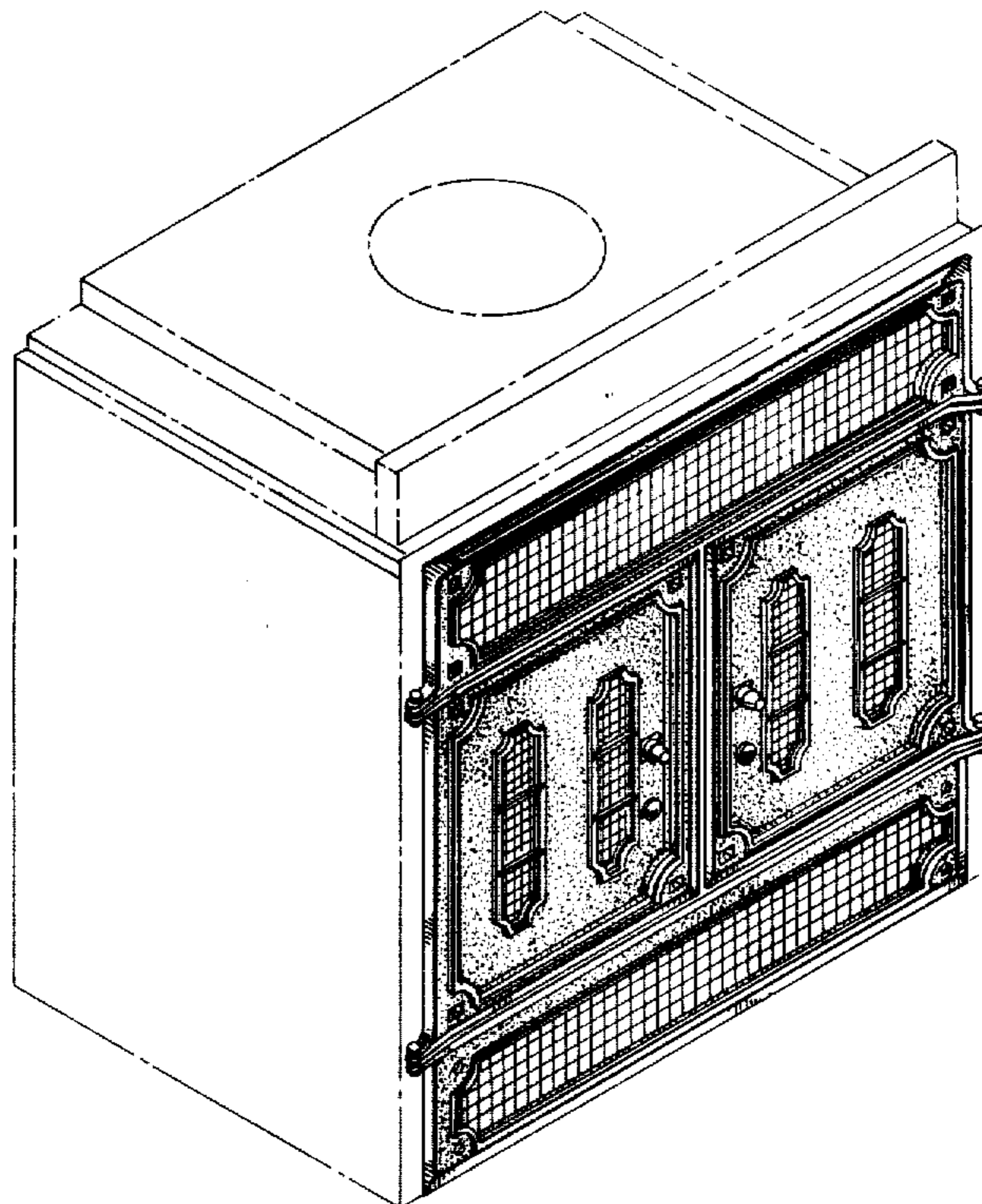
FIG. 4 is a rear elevational view thereof;

FIG. 5 is a bottom plan view thereof;

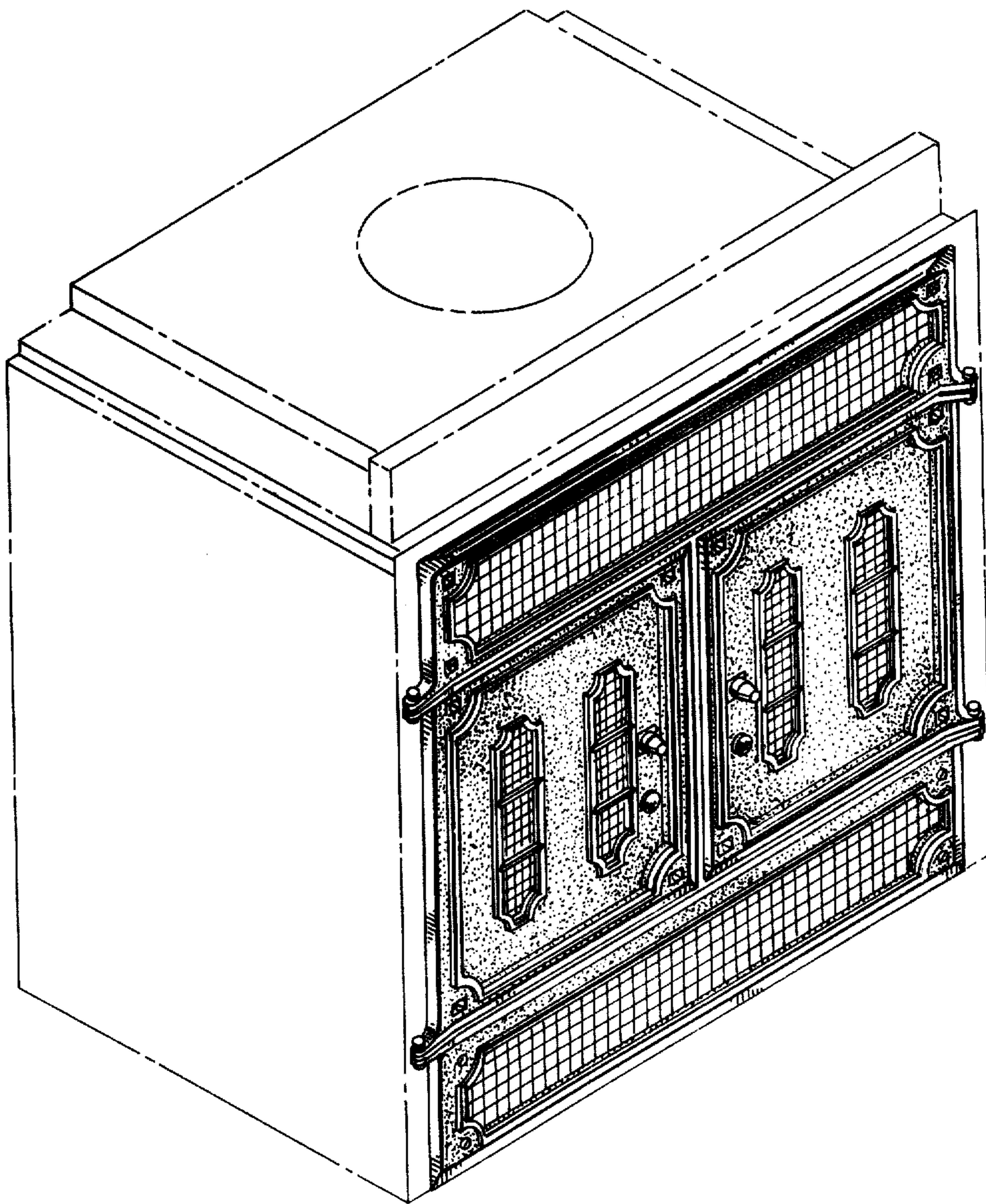
FIG. 6 is a left side elevational view thereof; and

FIG. 7 is a right side elevational view thereof.

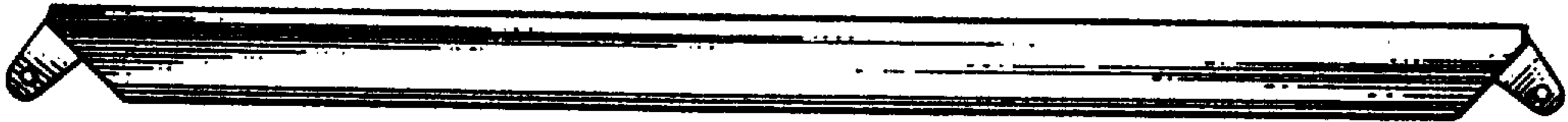
The broken line disclosure of a firebox in FIG. 1 is for illustrative purposes only and forms no part of the claimed design.



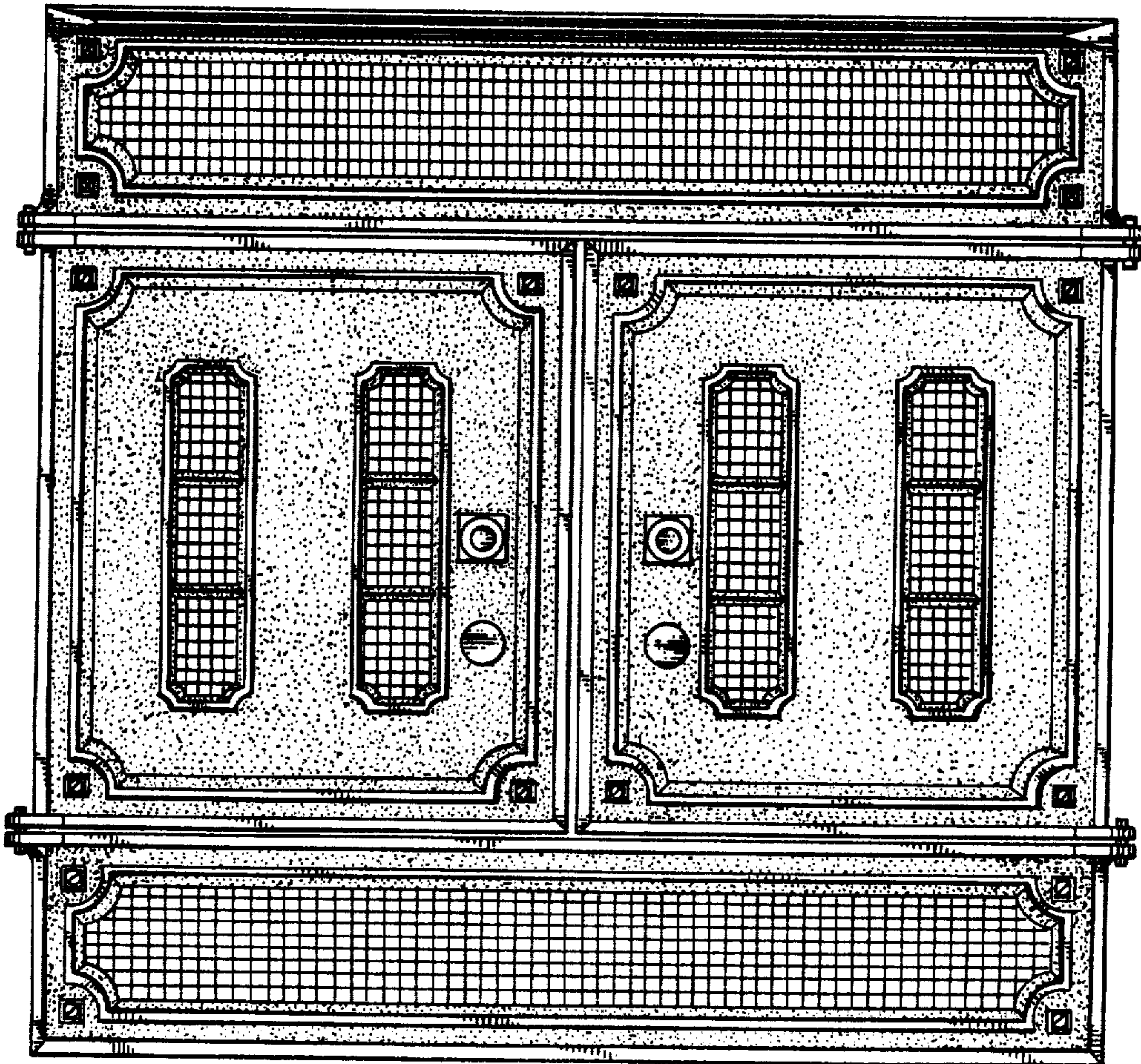
*Fig. 1*



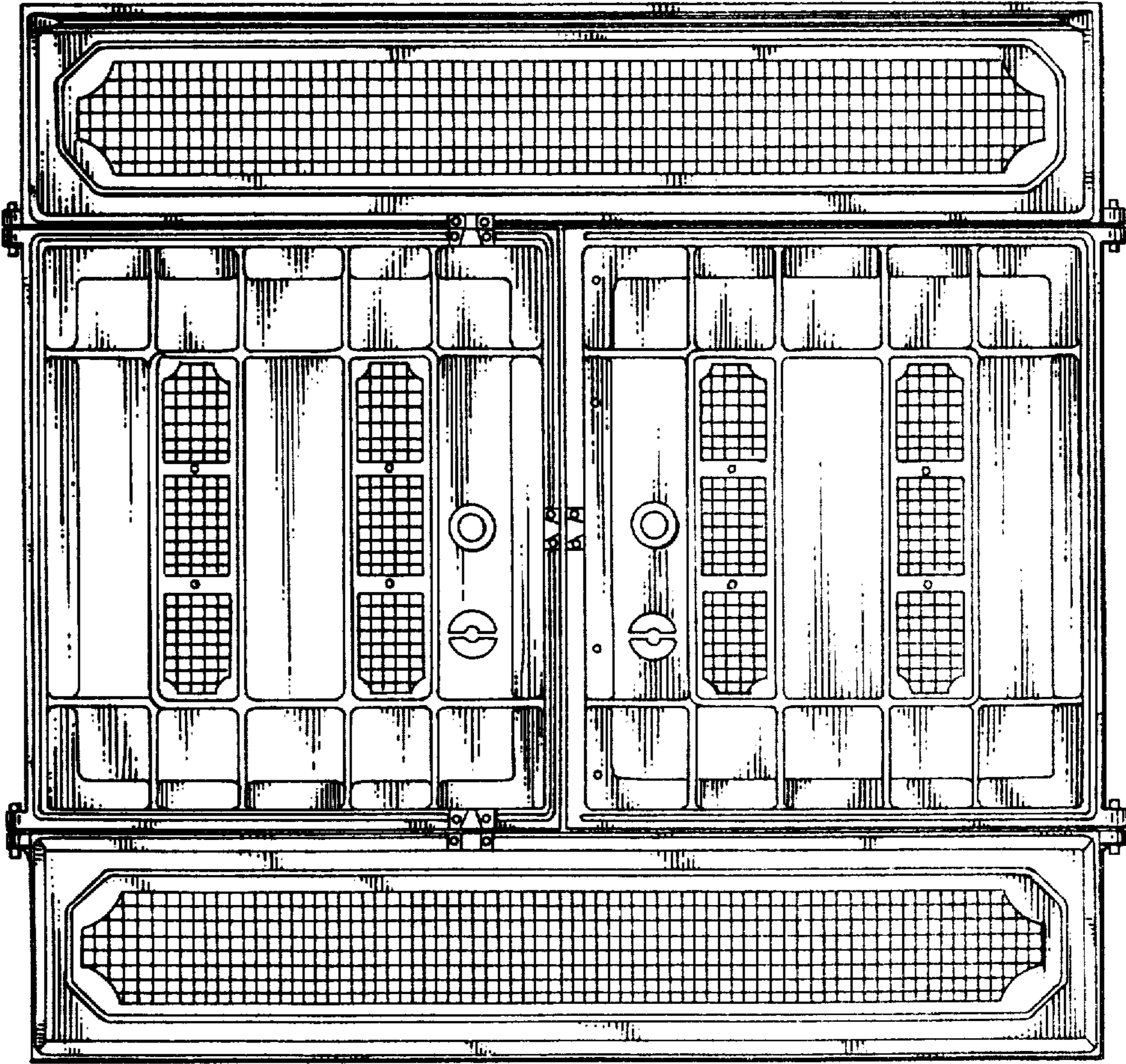
*Fig 3*



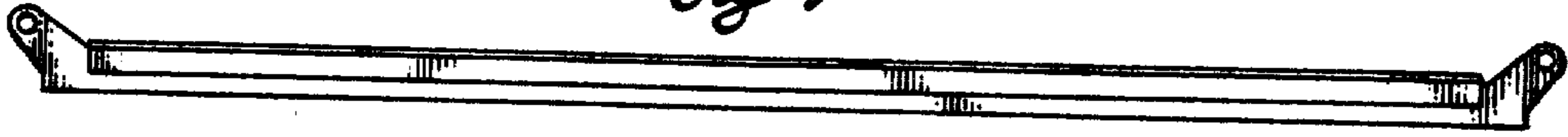
*Fig 2*



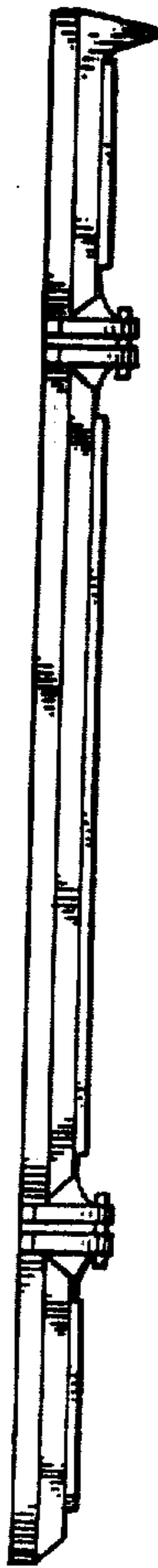
*Fig. 4*



*Fig. 5*



*Fig. 6*



*Fig. 7*

