

[54] TOY SPACE VEHICLE

[75] Inventor: Mark D. Boudreaux, Cincinnati, Ohio

[73] Assignee: CPG Products Corp., Minneapolis, Minn.

[**] Term: 14 Years

[21] Appl. No.: 380,159

[22] Filed: May 20, 1982

[51] Int. Cl. D21-01

[52] U.S. Cl. D21/87; D21/128

[58] Field of Search D21/87, 88, 89, 128, D21/131, 134; D12/319, 320, 321, 343, 12; 46/74 A, 74 B, 76 R, 76 A, 79, 251

[56] References Cited

U.S. PATENT DOCUMENTS

- D. 210,085 2/1968 Ryan et al. D21/87
- D. 221,166 7/1971 Gorfain D21/87

D. 268,773 4/1983 Rodis-Jamero D21/87

OTHER PUBLICATIONS

Hong Kong Toys, 1980, Toyart Page, "Multi-Robot".

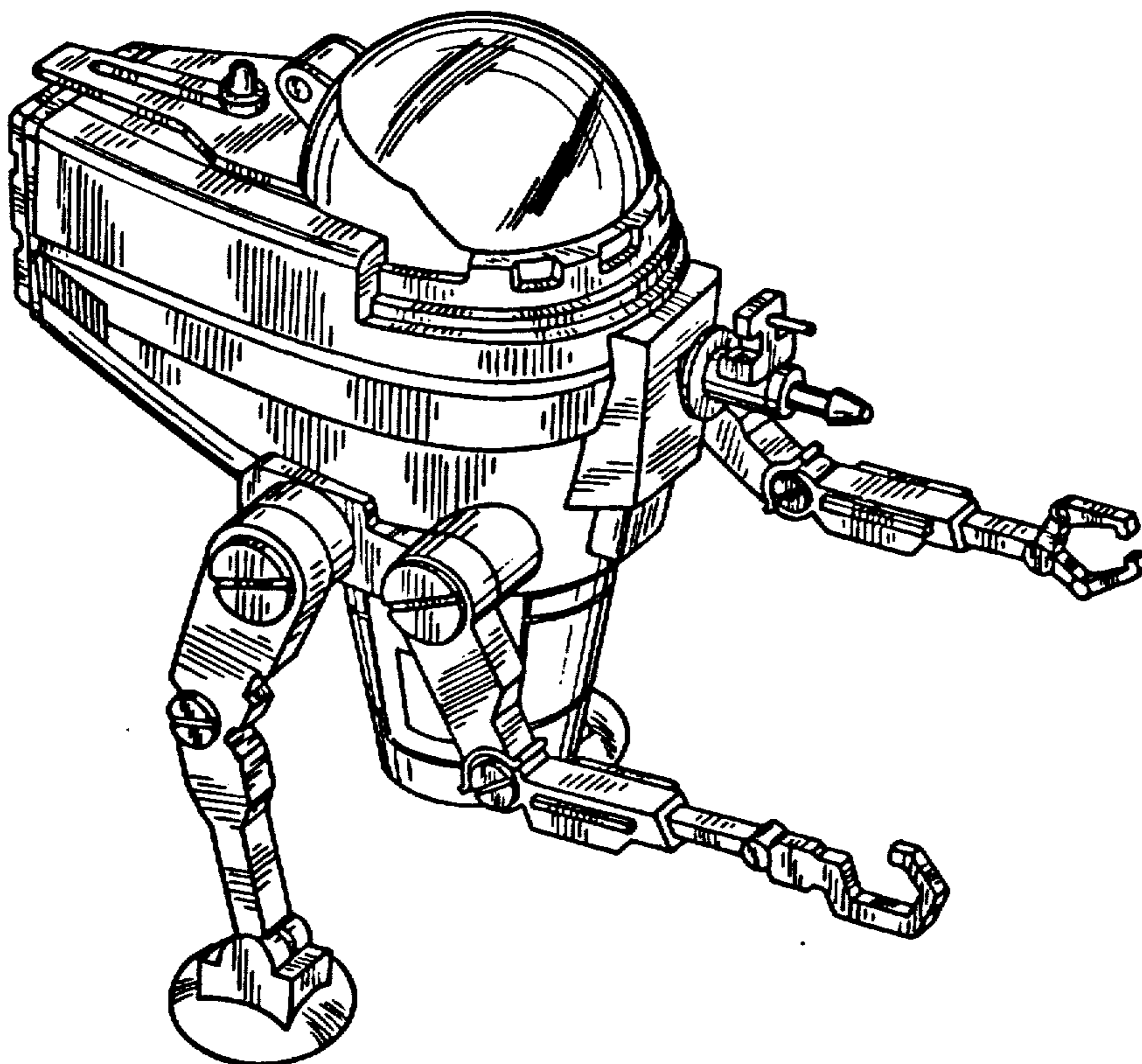
Primary Examiner—Charles A. Rademaker
Attorney, Agent, or Firm—L. McRoy Lillehaugen; Gene O. Enockson

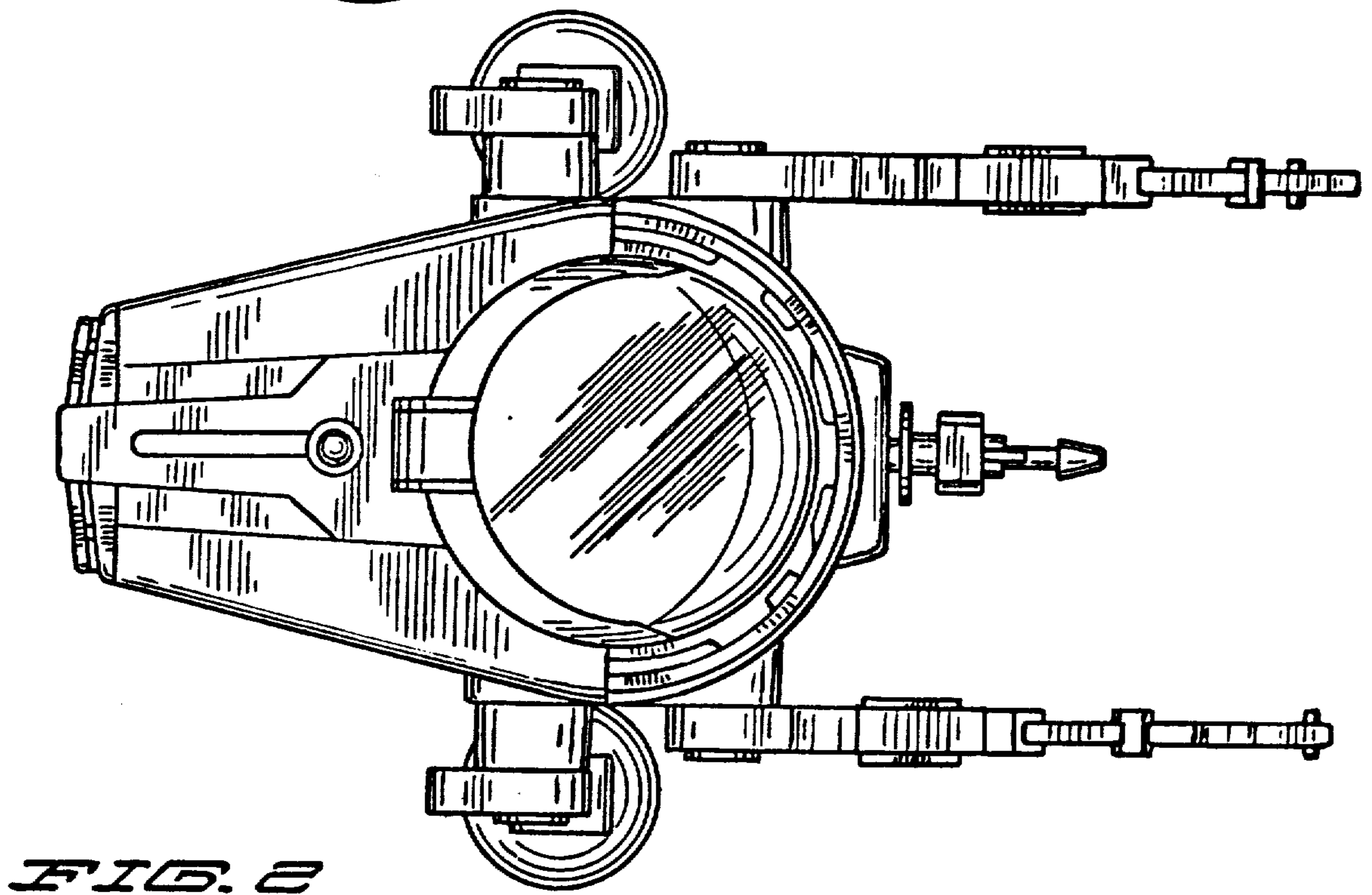
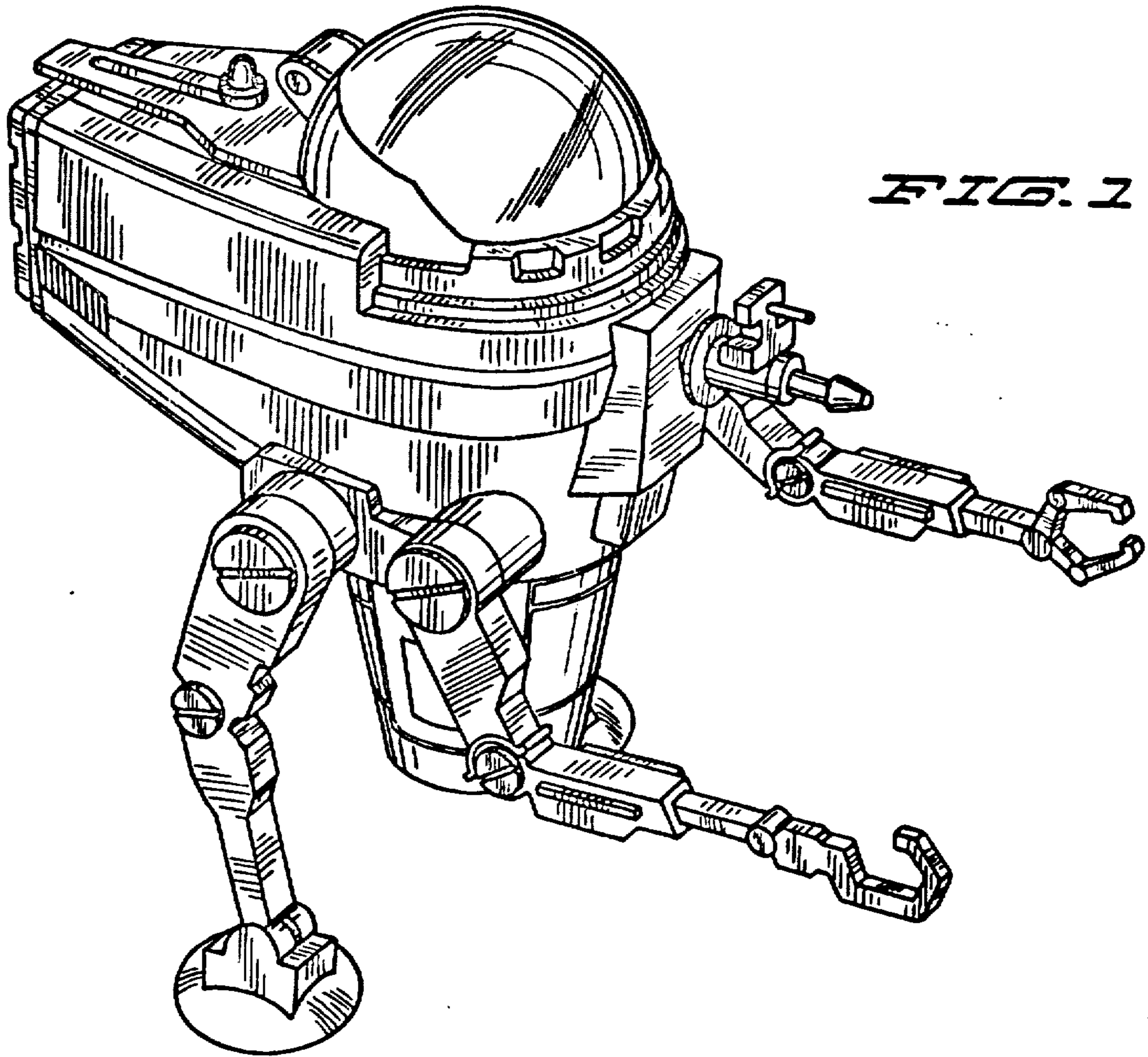
[57] CLAIM

The ornamental design for a toy space vehicle, substantially as shown and described.

DESCRIPTION

FIG. 1 is a perspective view of a toy space vehicle showing my new design;
 FIG. 2 is a top plan view thereof;
 FIG. 3 is a side elevational view thereof, the side opposite being substantially a mirror image thereof;
 FIG. 4 is a bottom plan view thereof;
 FIG. 5 is a front elevational view thereof;
 FIG. 6 is a rear elevational view thereof; and





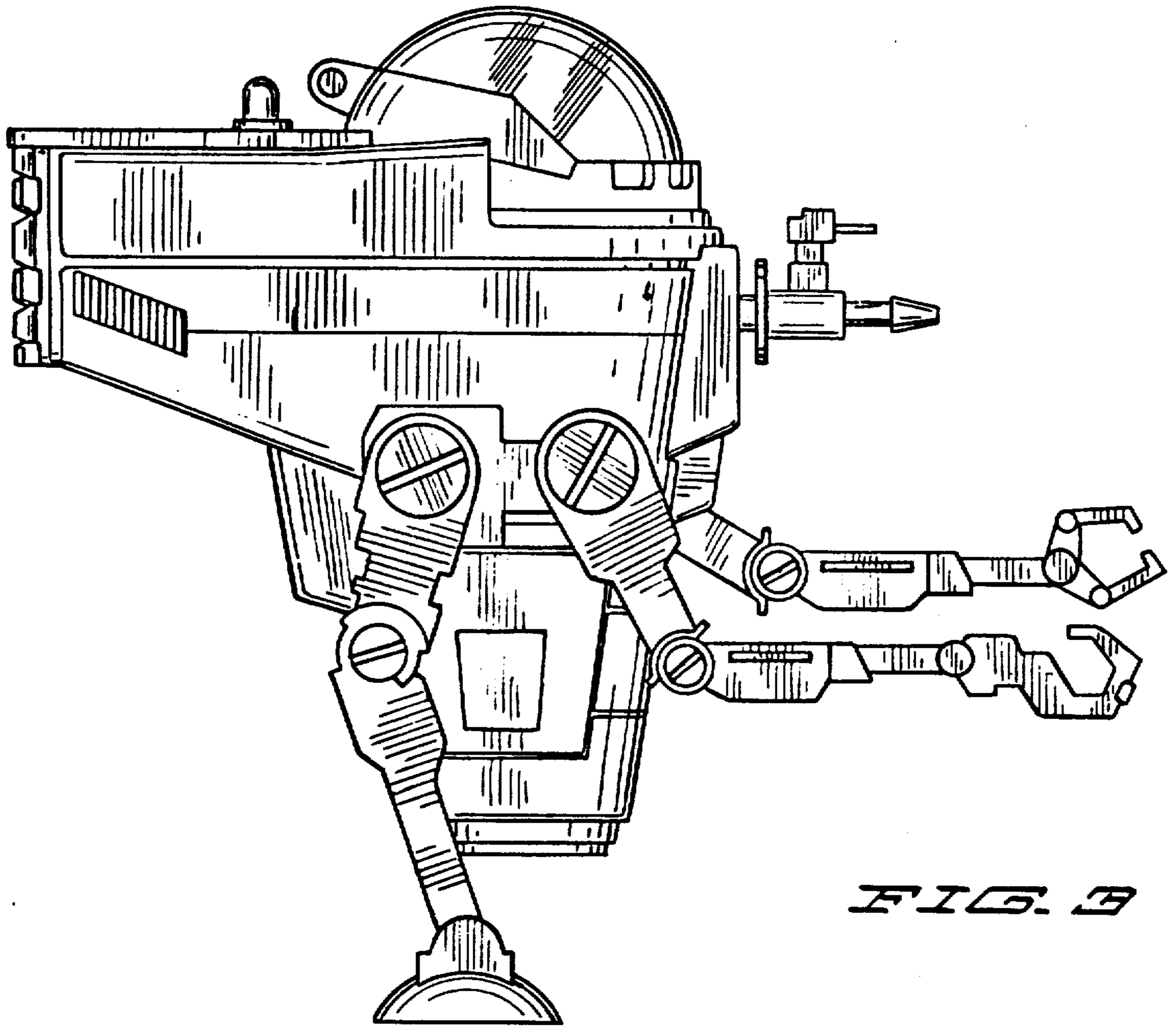


FIG. 3

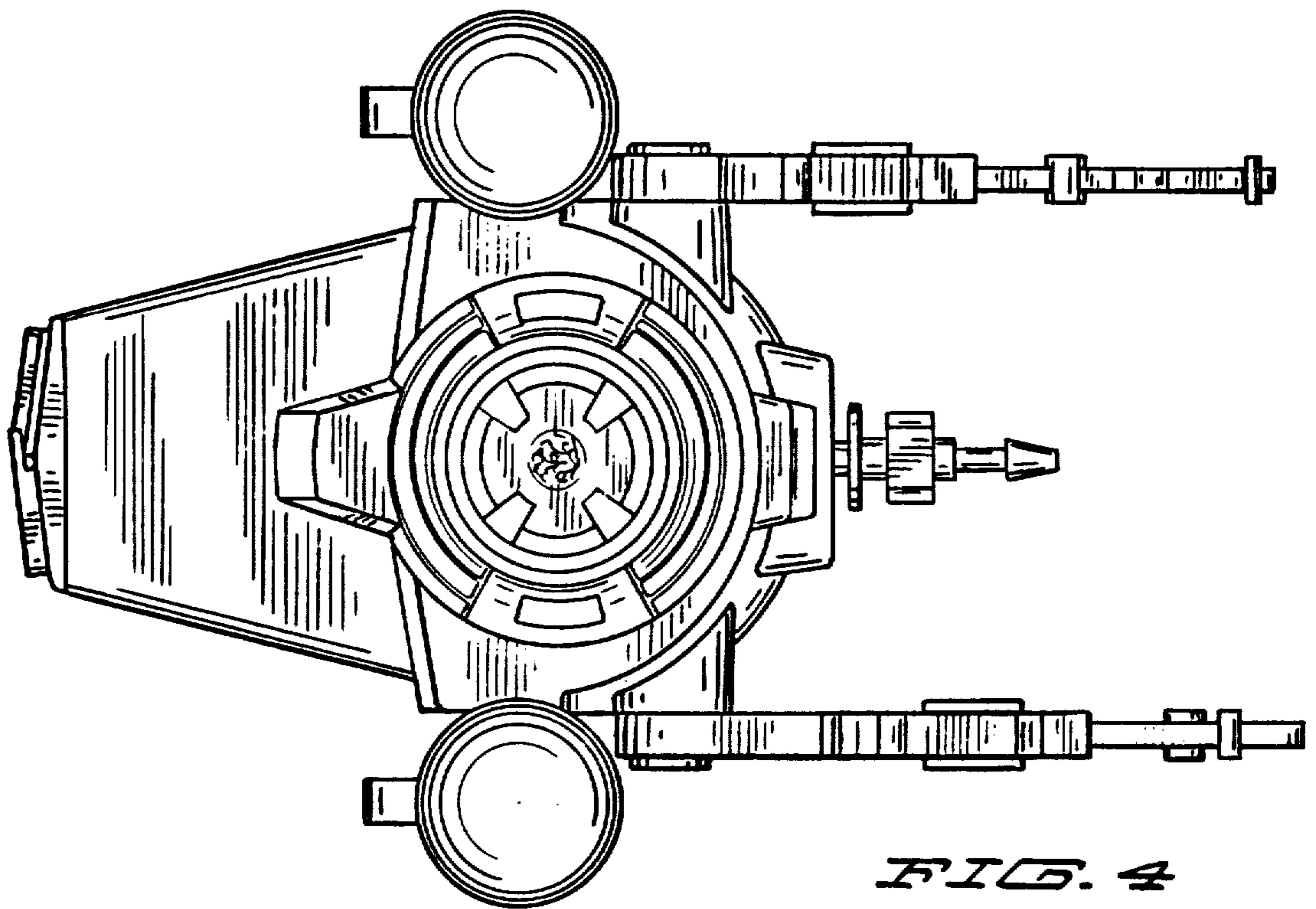


FIG. 4

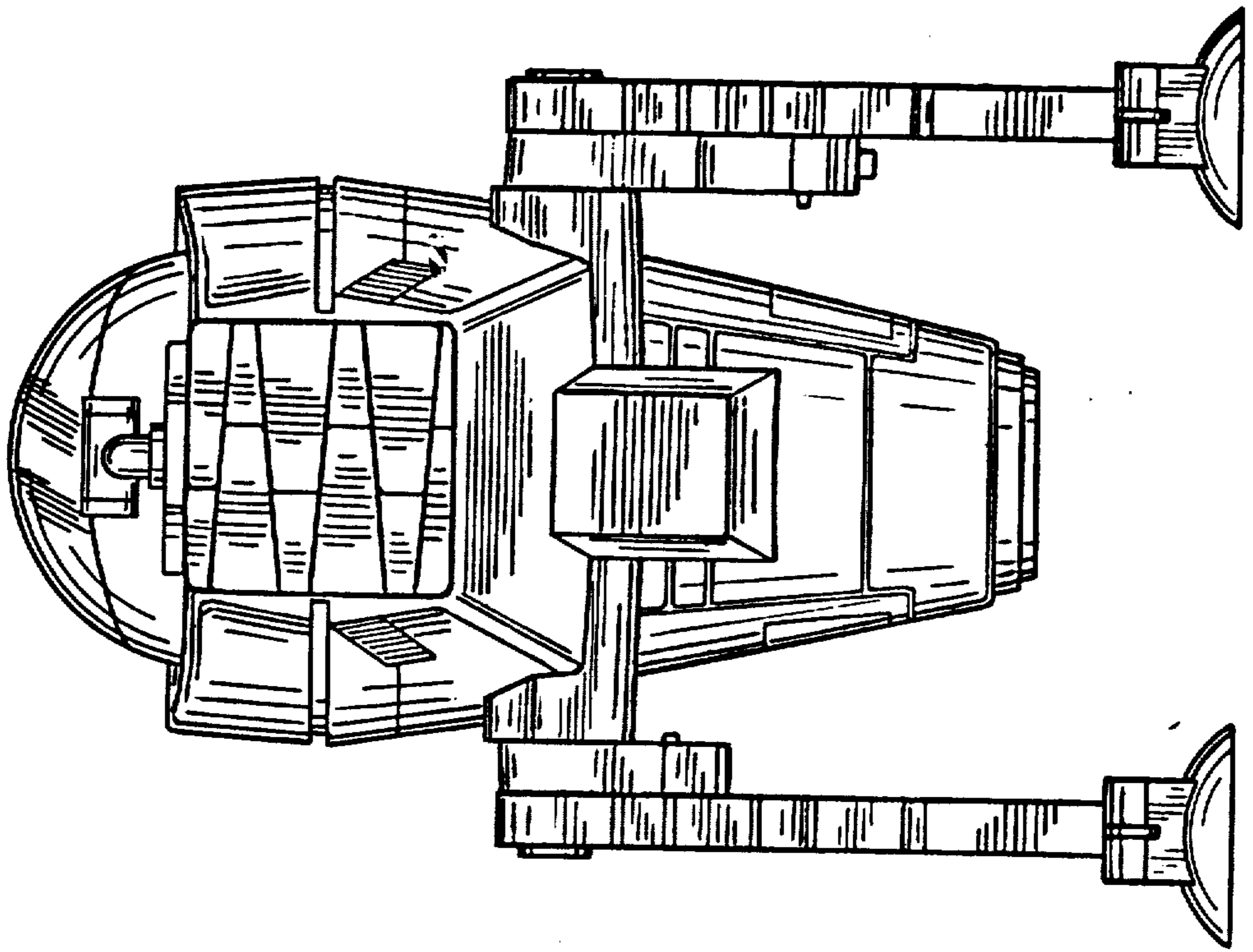


FIG. 6

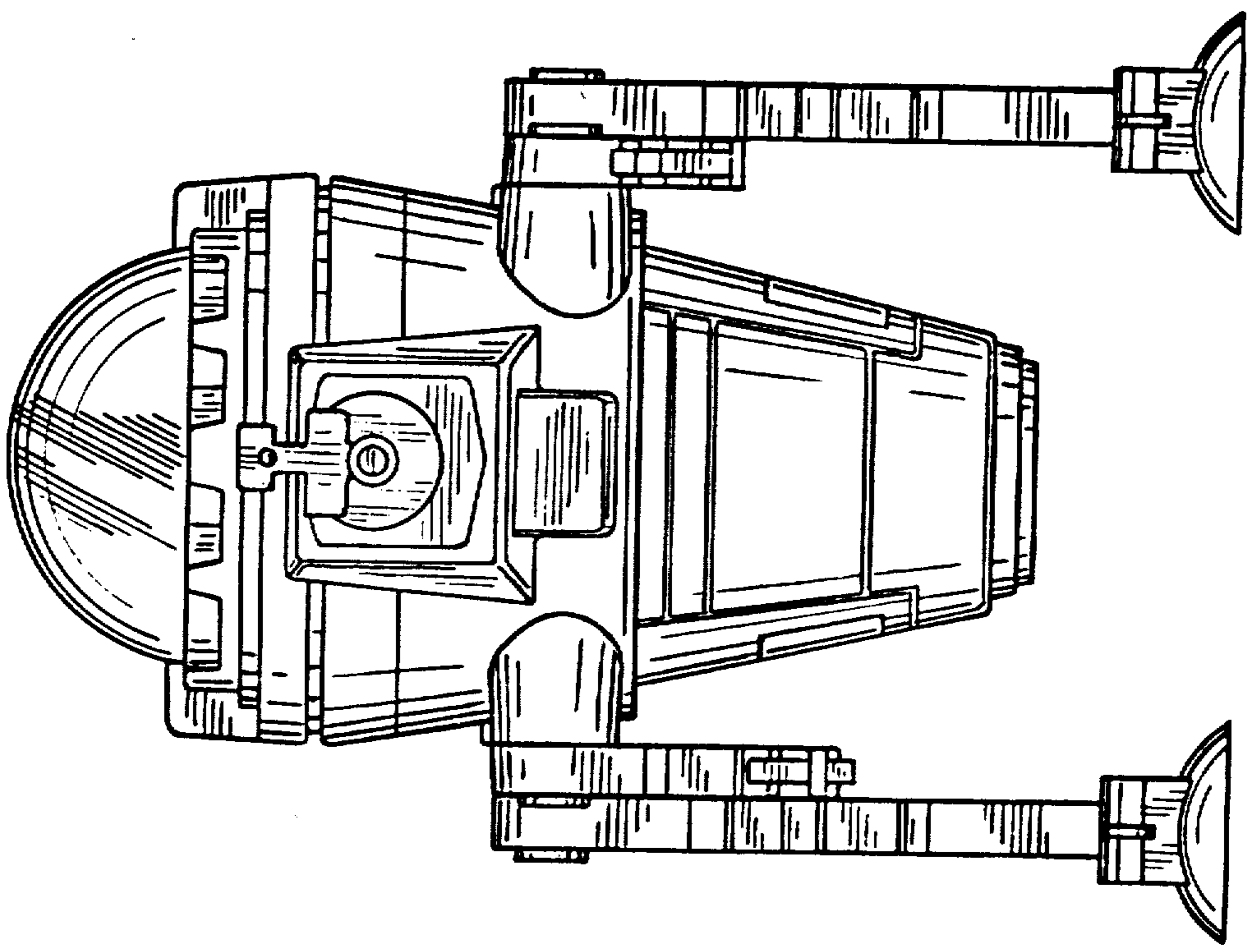


FIG. 5