

[54] DEMOUNTABLE STRINGED MUSICAL INSTRUMENT

3,291,887 12/1966 Carman et al. 84/1.16
4,235,143 11/1980 Hoexter 84/1.16

[76] Inventor: Ernest Nussbaum, 6009 Johnson Ave., Bethesda, Md. 20817

[**] Term: 14 Years

[21] Appl. No.: 324,752

[22] Filed: Nov. 25, 1981

[51] Int. Cl. D17-03

[52] U.S. Cl. D17/14; D14/34; D17/20

[58] Field of Search D17/14, 17, 19, 20; 84/1.16, 173, 275, DIG. 3; D14/33, 34

[56] References Cited

U.S. PATENT DOCUMENTS

1,861,717 6/1932 Pfeil 84/1.16
2,231,235 2/1941 Weir 84/DIG. 3

OTHER PUBLICATIONS

The Music Trades, 9-27-24, p. 37, Adele Clement's Collapsible Cello shown in upper left photo.

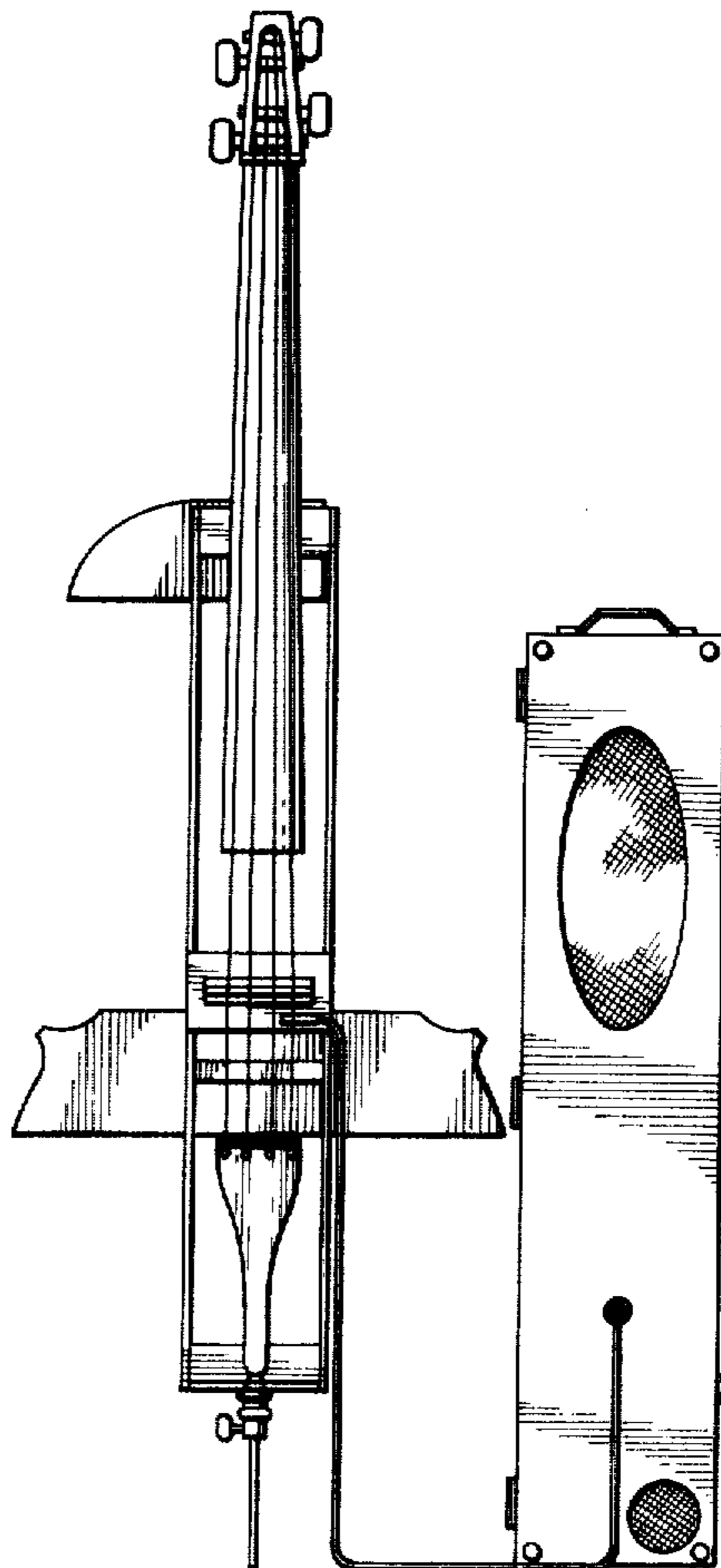
Primary Examiner—Jane E. Corrigan

[57] CLAIM

The ornamental design for a demountable stringed musical instrument, as shown and described.

DESCRIPTION

FIG. 1 is a front elevational view of a demountable stringed musical instrument showing my new design; FIG. 2 is a rear elevational view; FIG. 3 is a right side elevational view; FIG. 4 is a left side elevational view; FIG. 5 is a top plan view; and FIG. 6 is a bottom plan view.



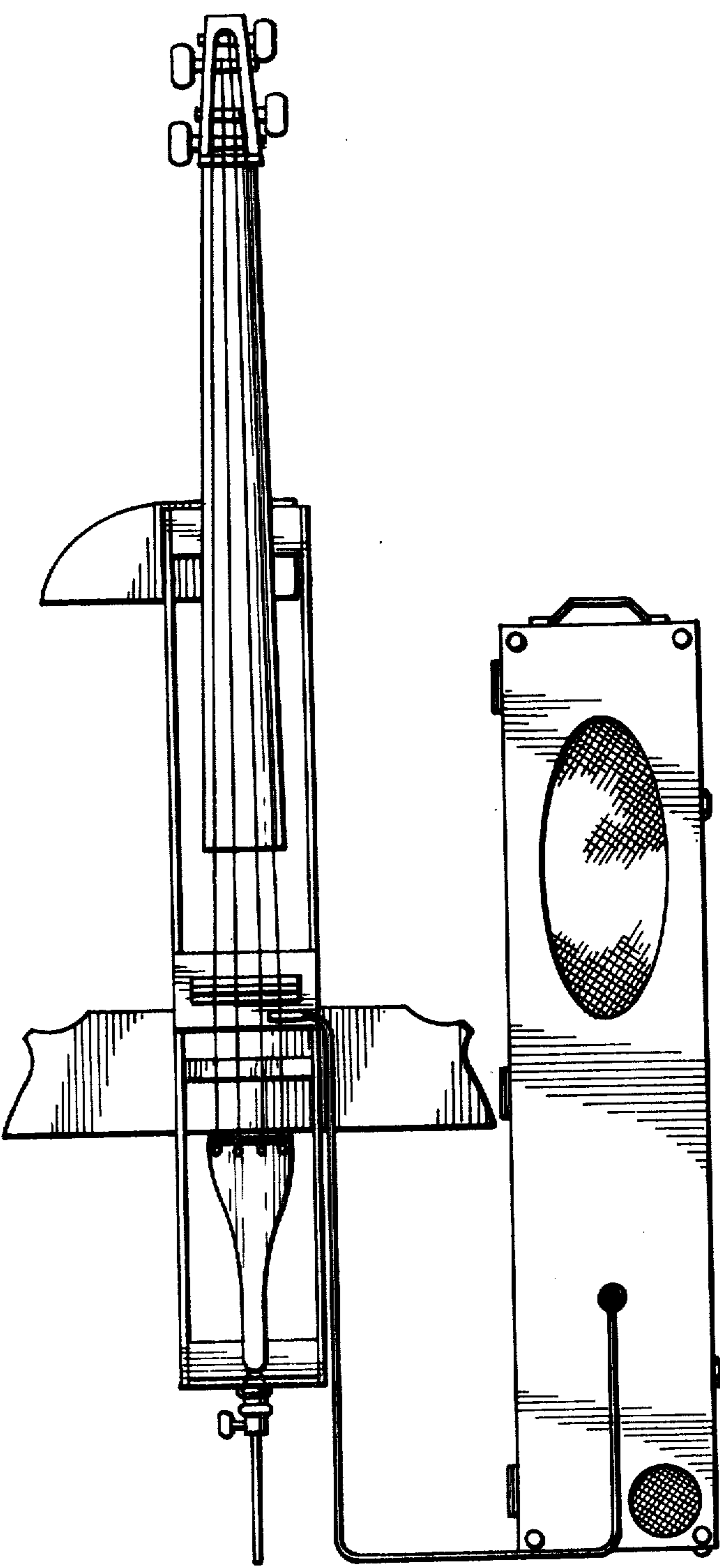


FIG. 1

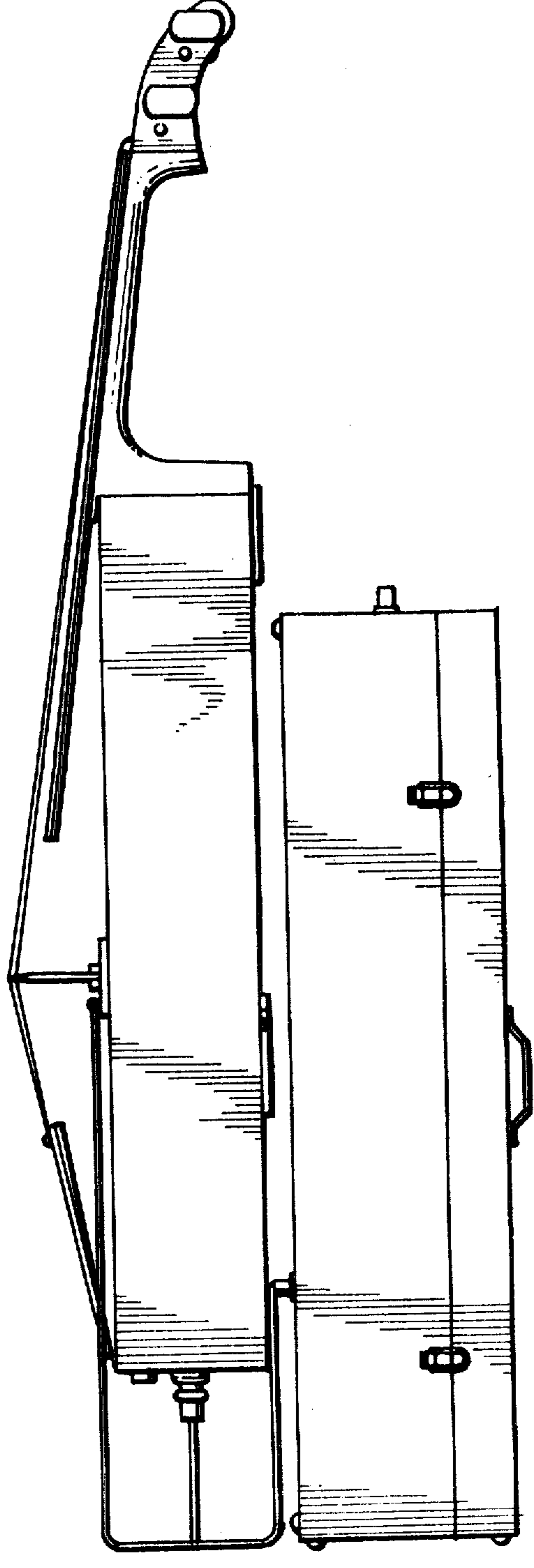


FIG. 3

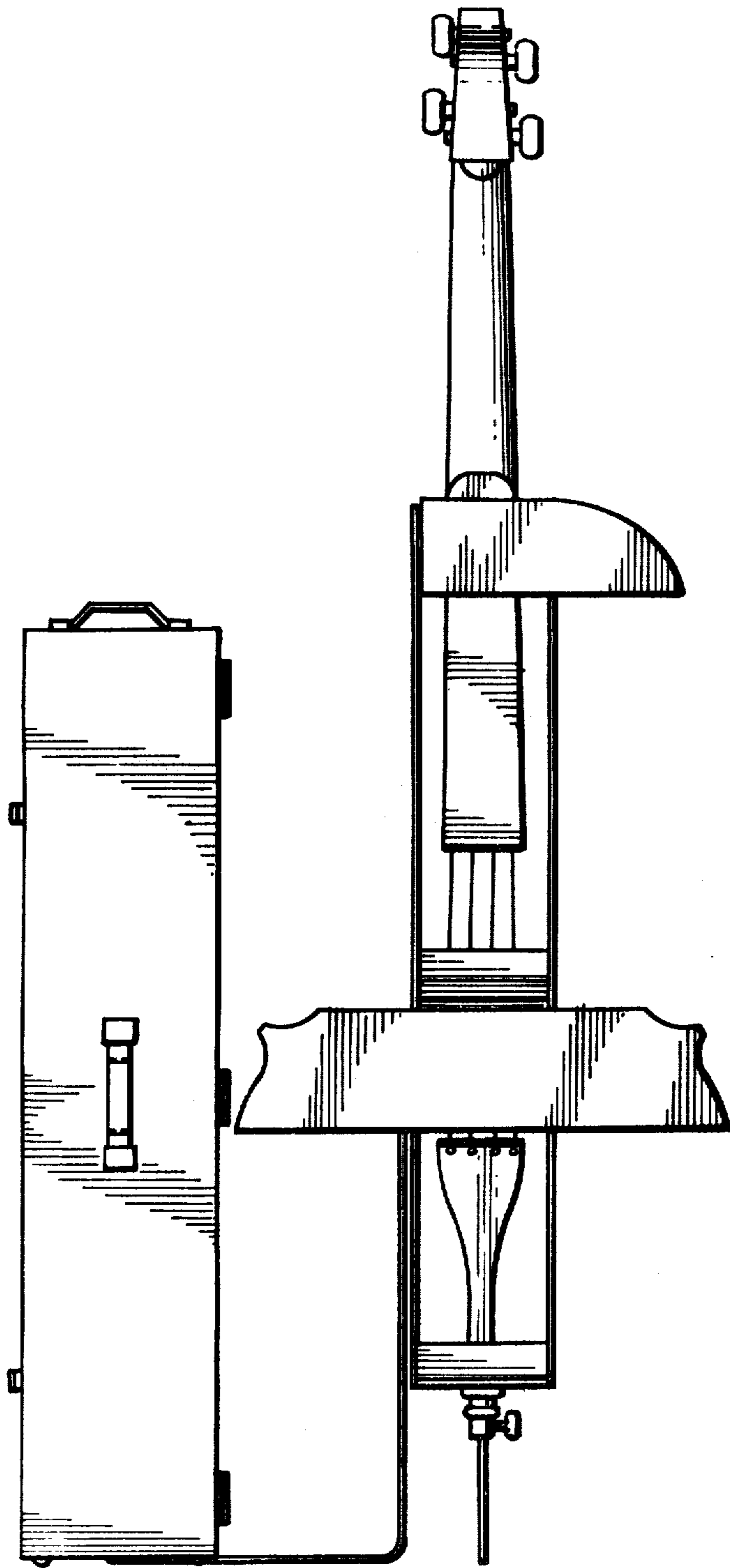


FIG. 2

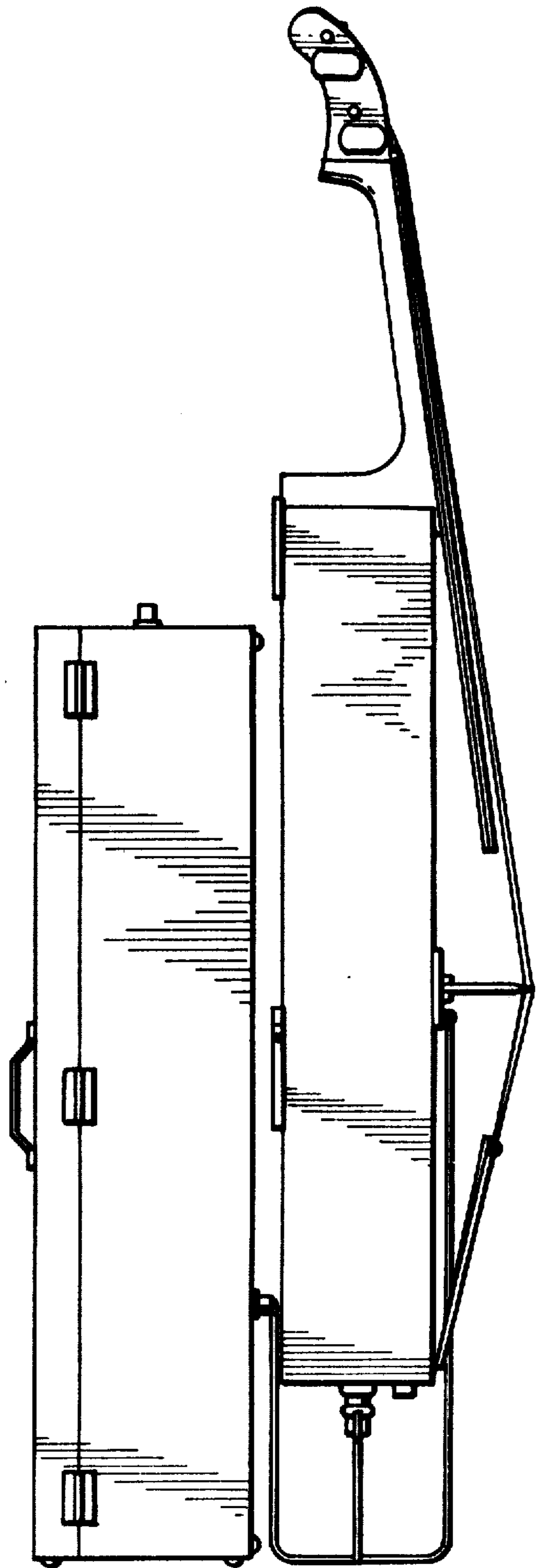


FIG. 4

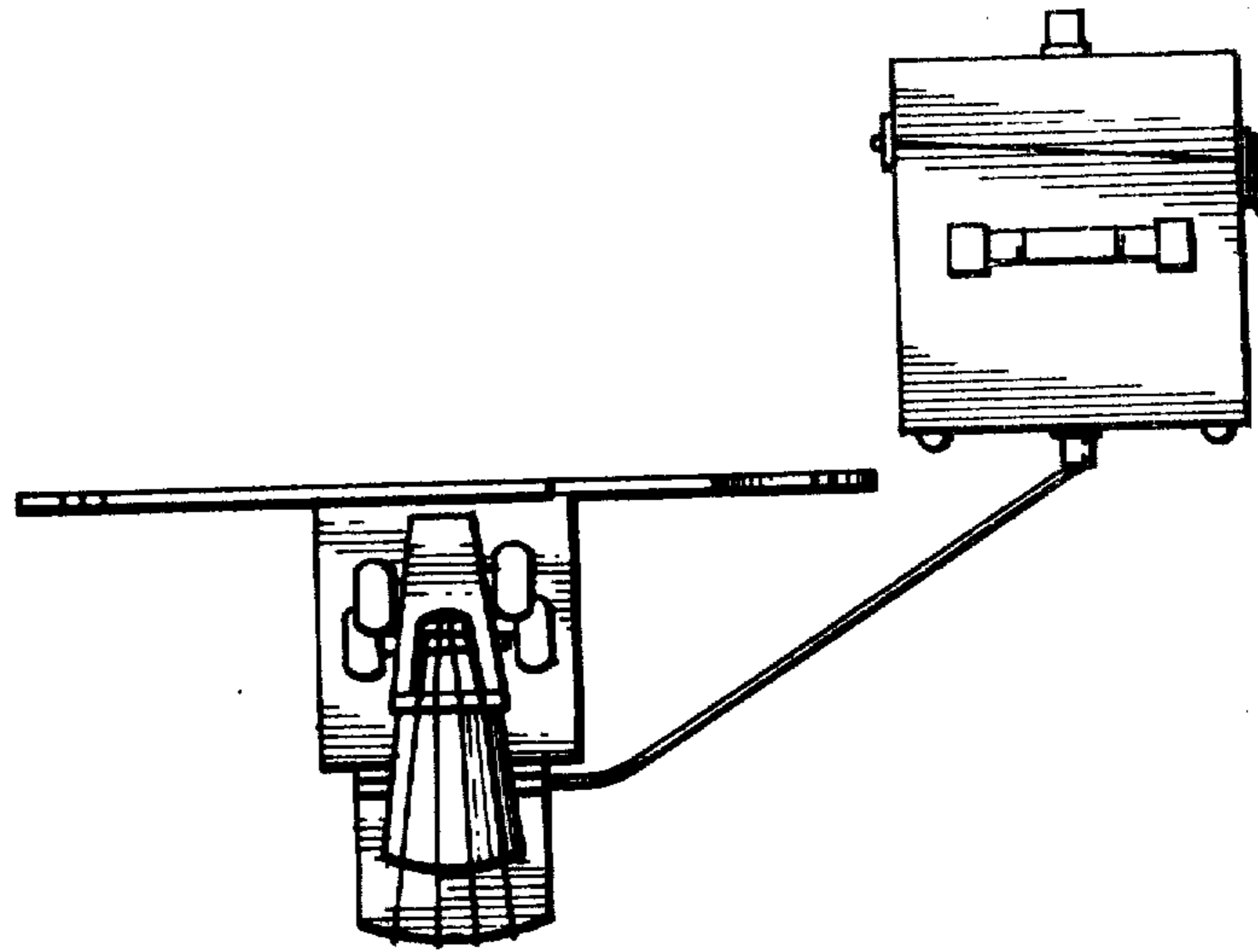


FIG. 5

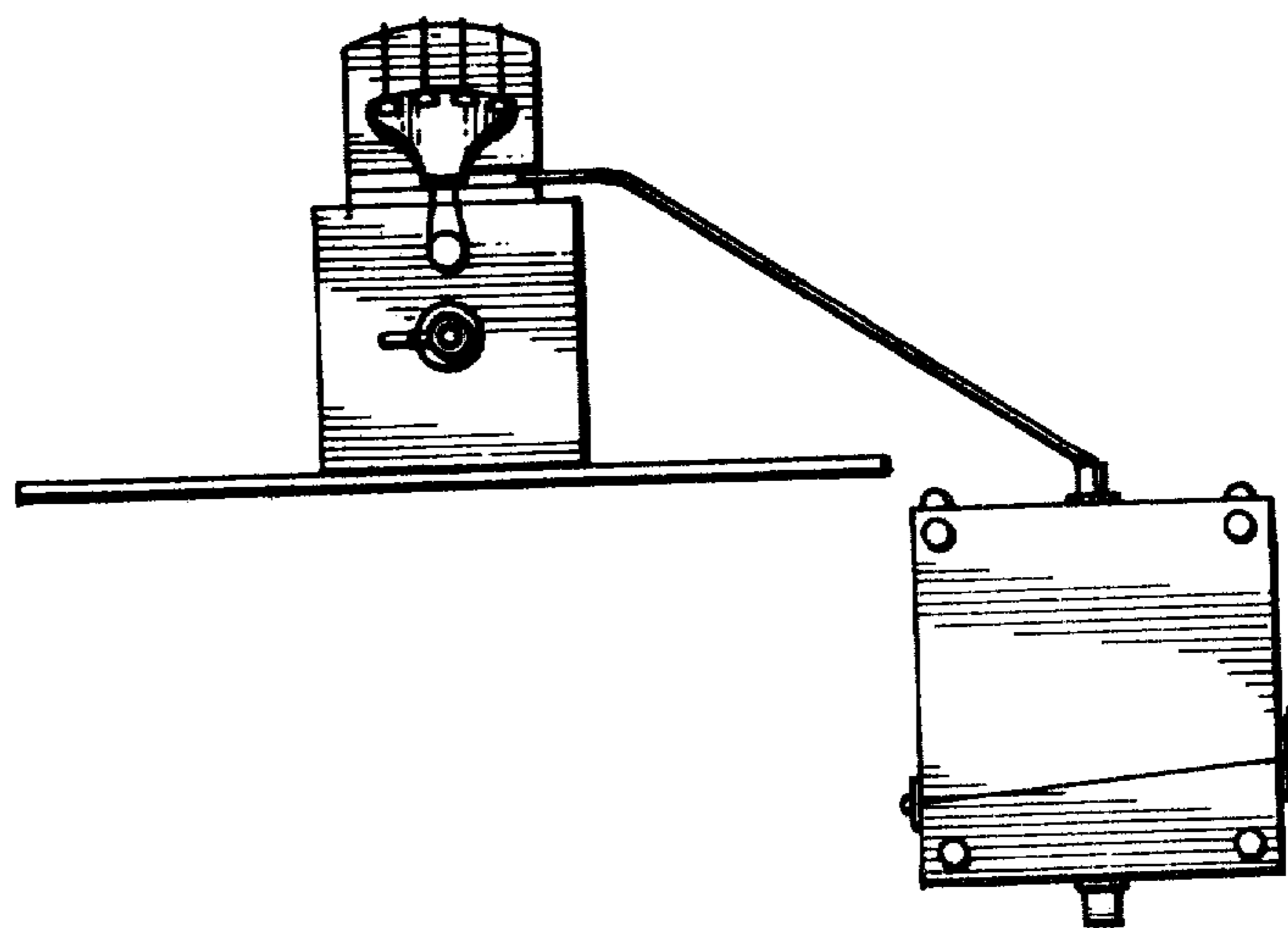


FIG. 6