

[54] ATTACHMENT FOR SNOW SHOVEL

[75] Inventor: Daiji Hoshino, Tokyo, Japan

[73] Assignee: Komatsu Zenoah Co., Tokyo, Japan

[**] Term: 14 Years

[21] Appl. No.: 229,284

[22] Filed: Mar. 13, 1981

[30] Foreign Application Priority Data

Aug. 6, 1980 [JP] Japan 55-318181

[51] Int. Cl. D15-03

[52] U.S. Cl. D15/11

[58] Field of Search D15/12, 11; 37/244,
37/245, 246, 265, 285

[56] References Cited

U.S. PATENT DOCUMENTS

D. 267,953 2/1983 Berner D15/12
3,512,279 5/1970 Benson 37/244

4,295,285 10/1981 Stevens 37/246

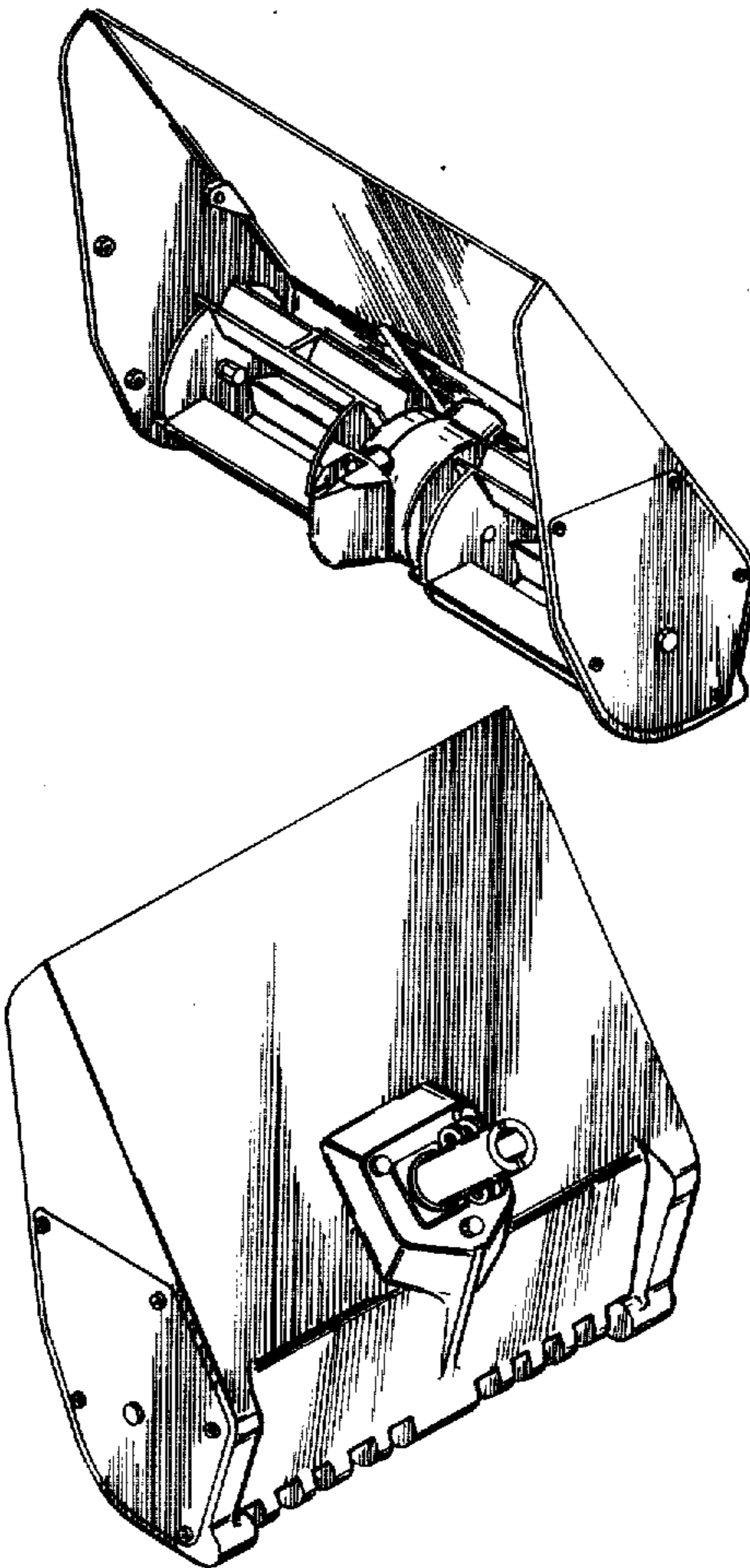
Primary Examiner—Wallace R. Burke
Assistant Examiner—S. Gitlin
Attorney, Agent, or Firm—Jones & Askew

[57] CLAIM

The ornamental design for an attachment for snow shovel, substantially as shown.

DESCRIPTION

FIG. 1 is a reduced perspective view from the top and one side of the attachment for snow shovel, showing my new design;
FIG. 2 is a reduced perspective view from the bottom and one side thereof;
FIG. 3 is a left side elevation view thereof;
FIG. 4 is a right side elevation view thereof;
FIG. 5 is a top plan view thereof;
FIG. 6 is a bottom plan view thereof;
FIG. 7 is a front elevation view thereof; and
FIG. 8 is a rear elevation view thereof.



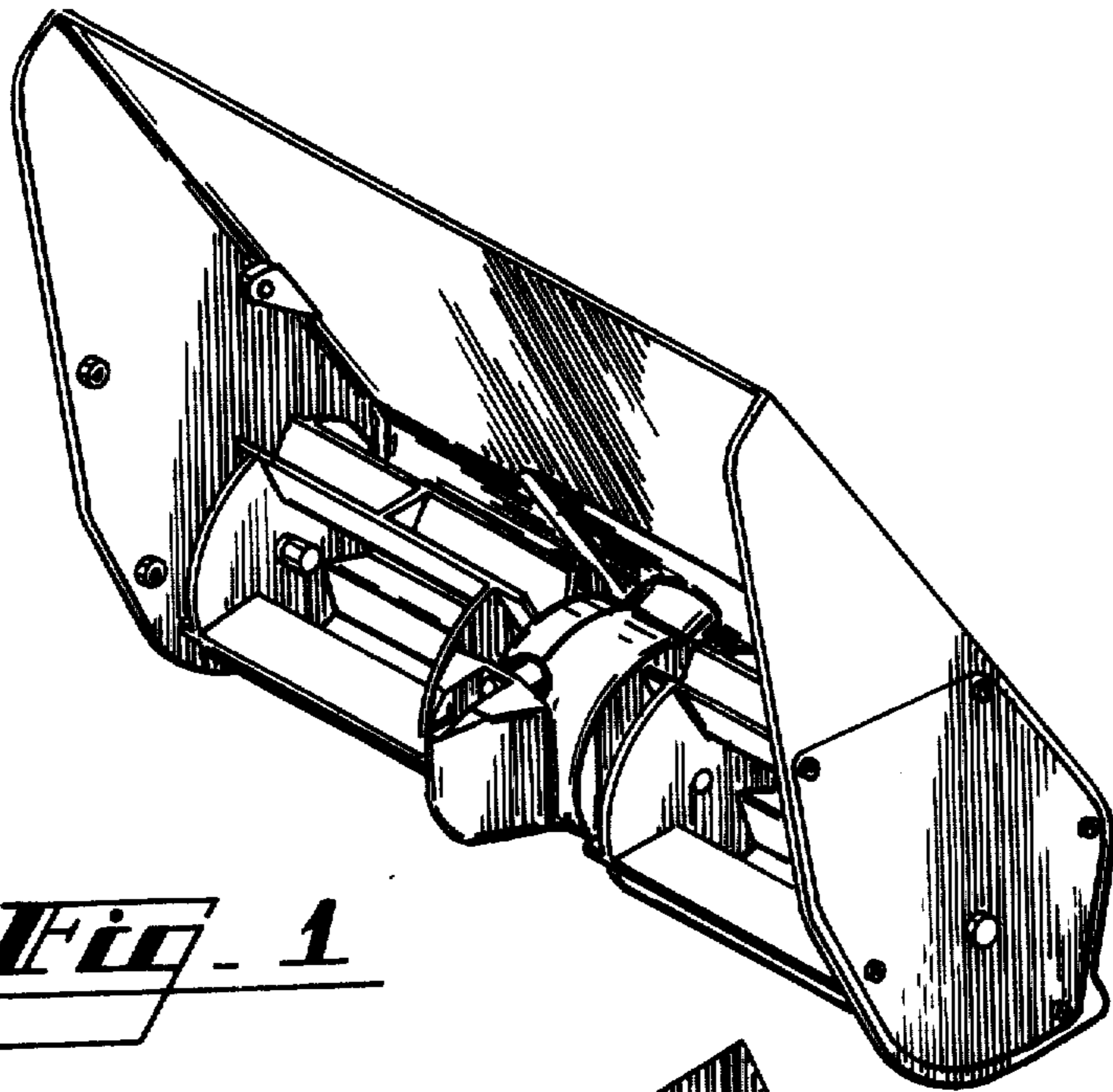


Fig. 1

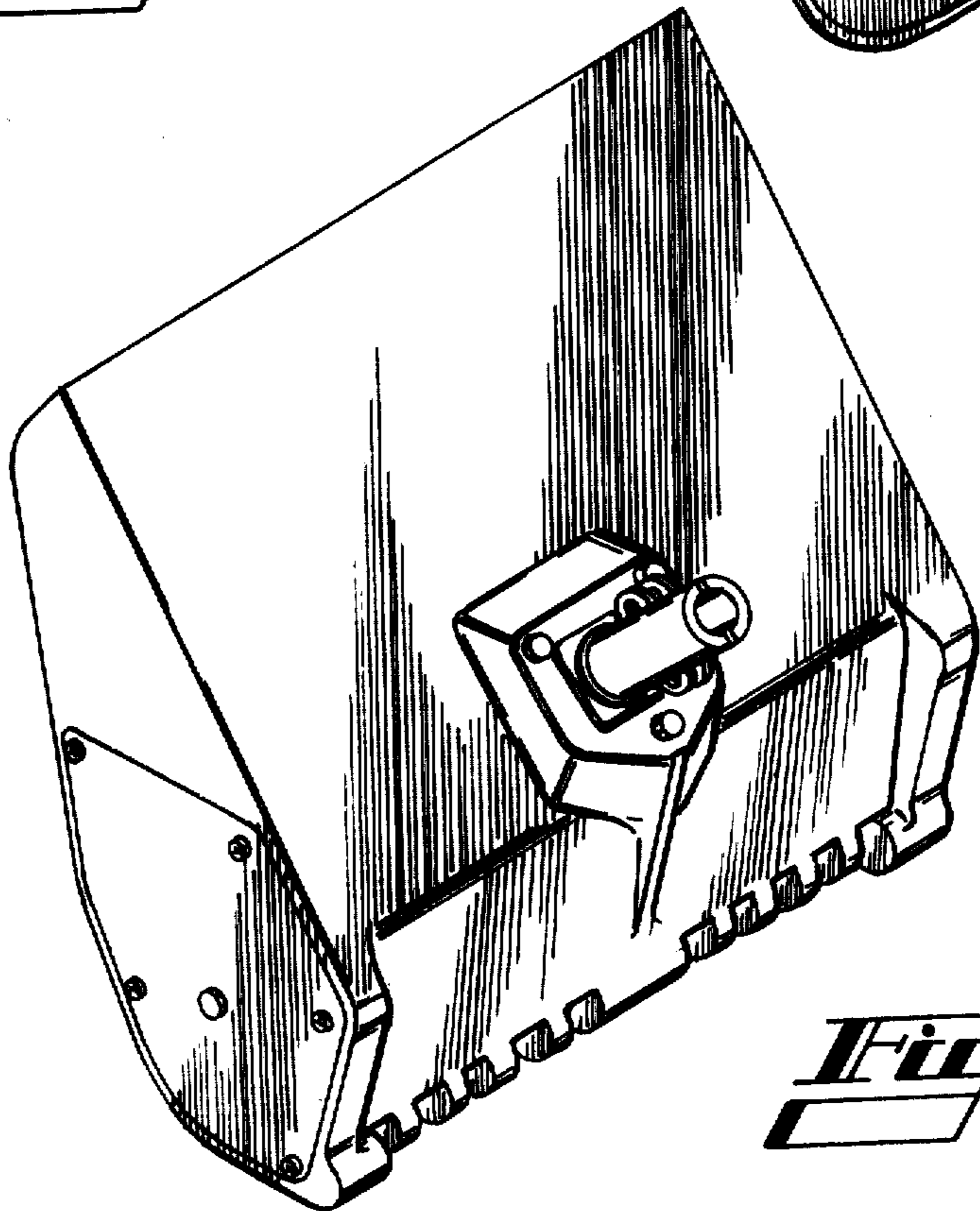


Fig. 2

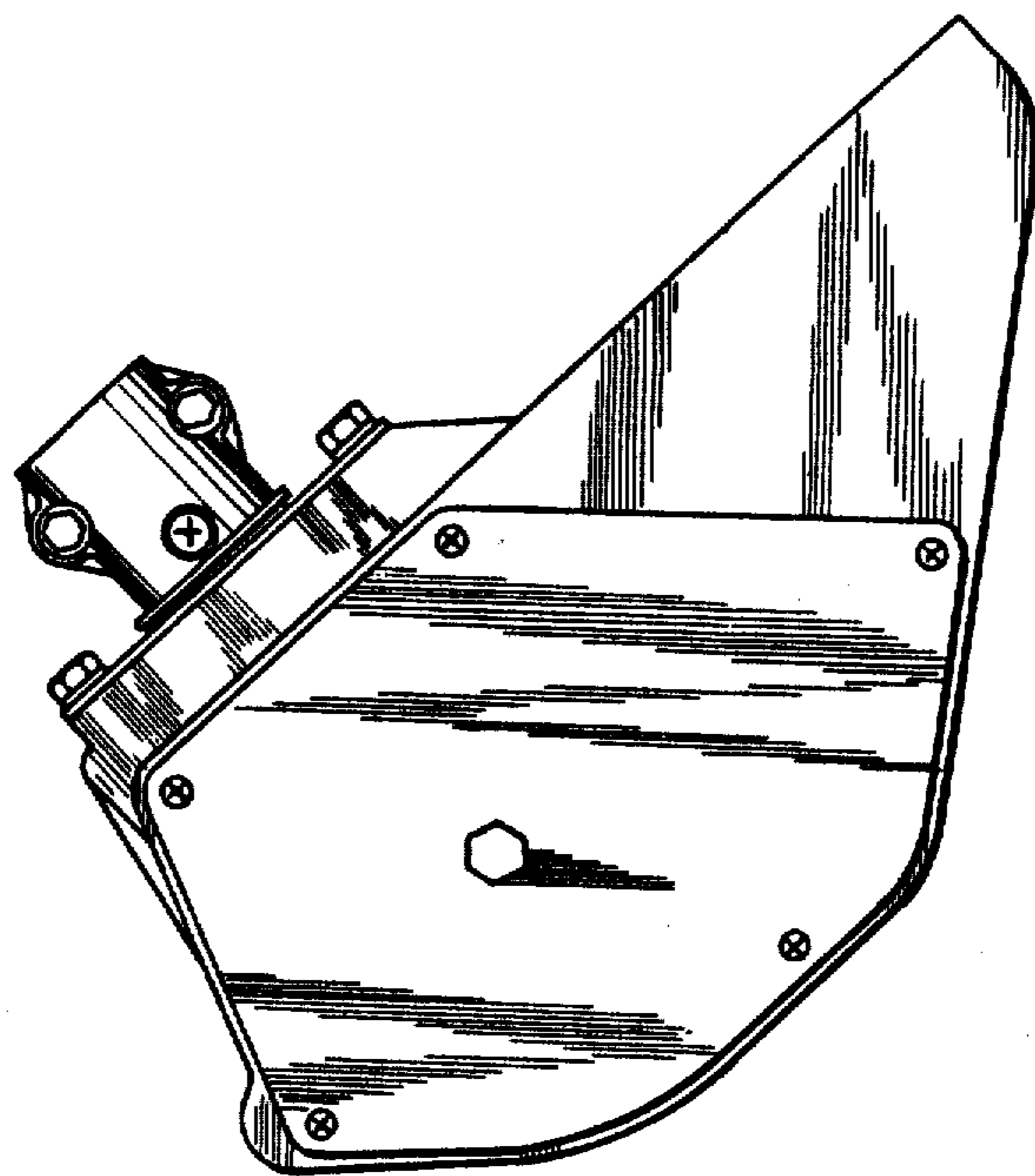


FIG. 3

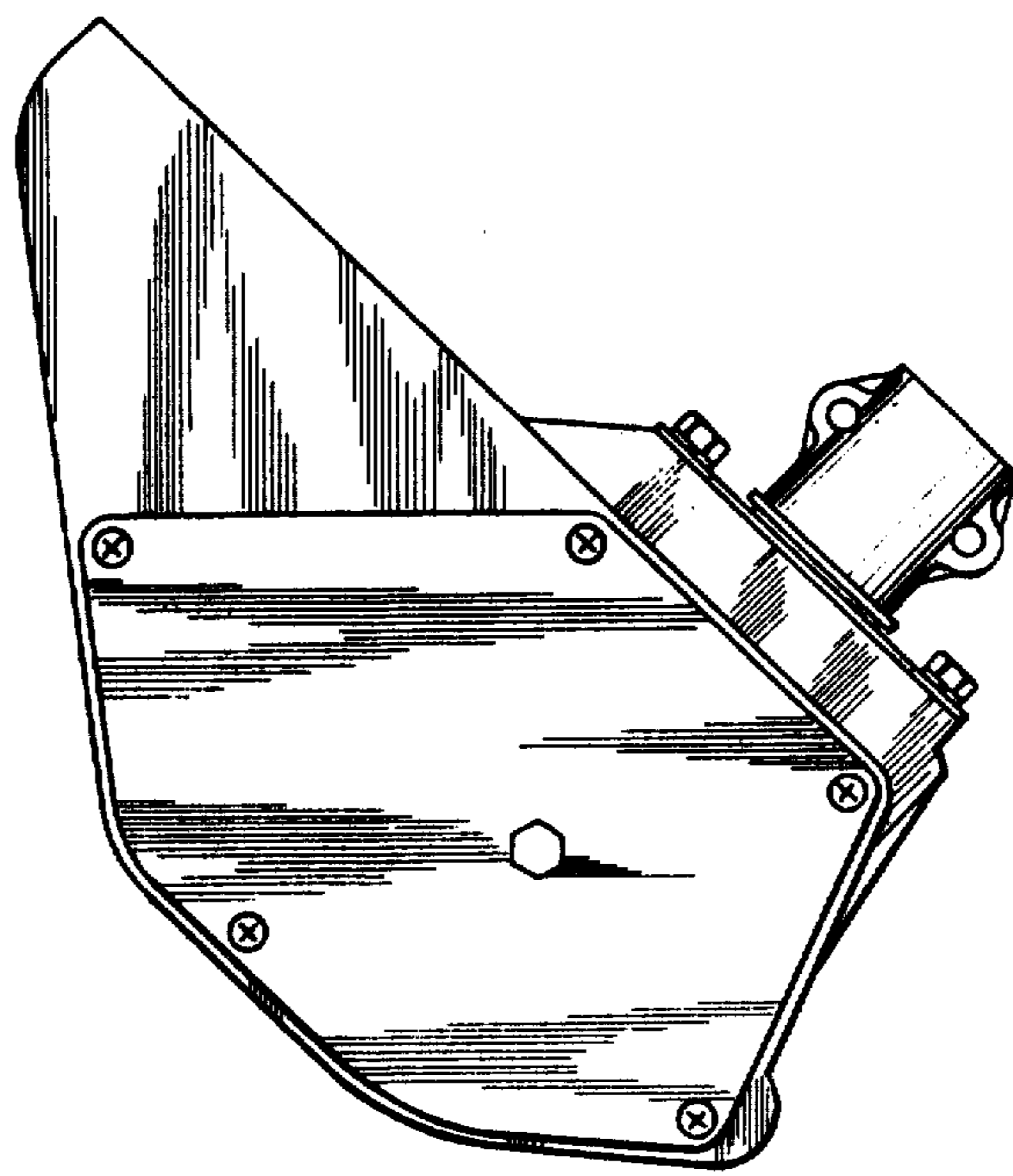


FIG. 4

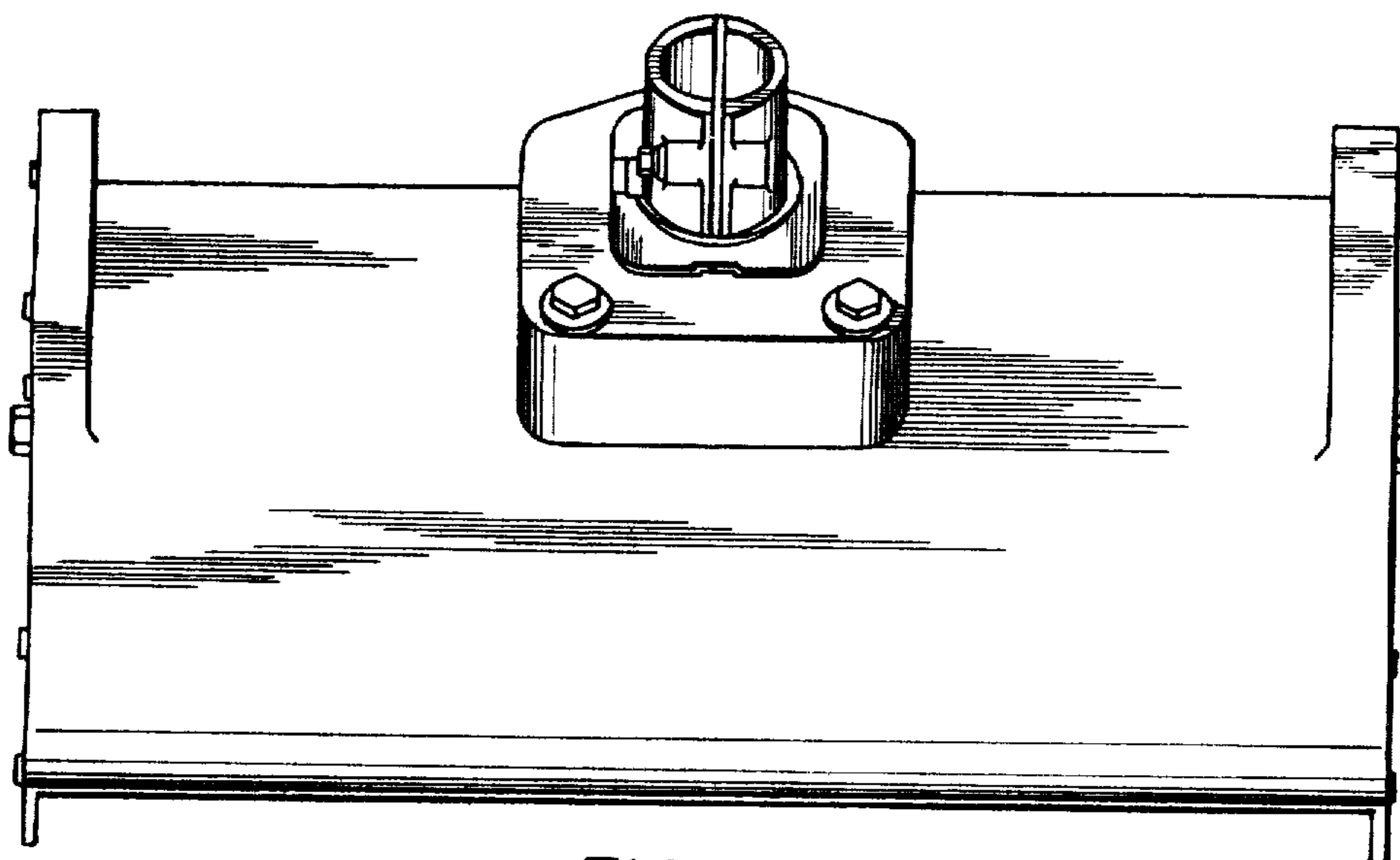


FIG. 5

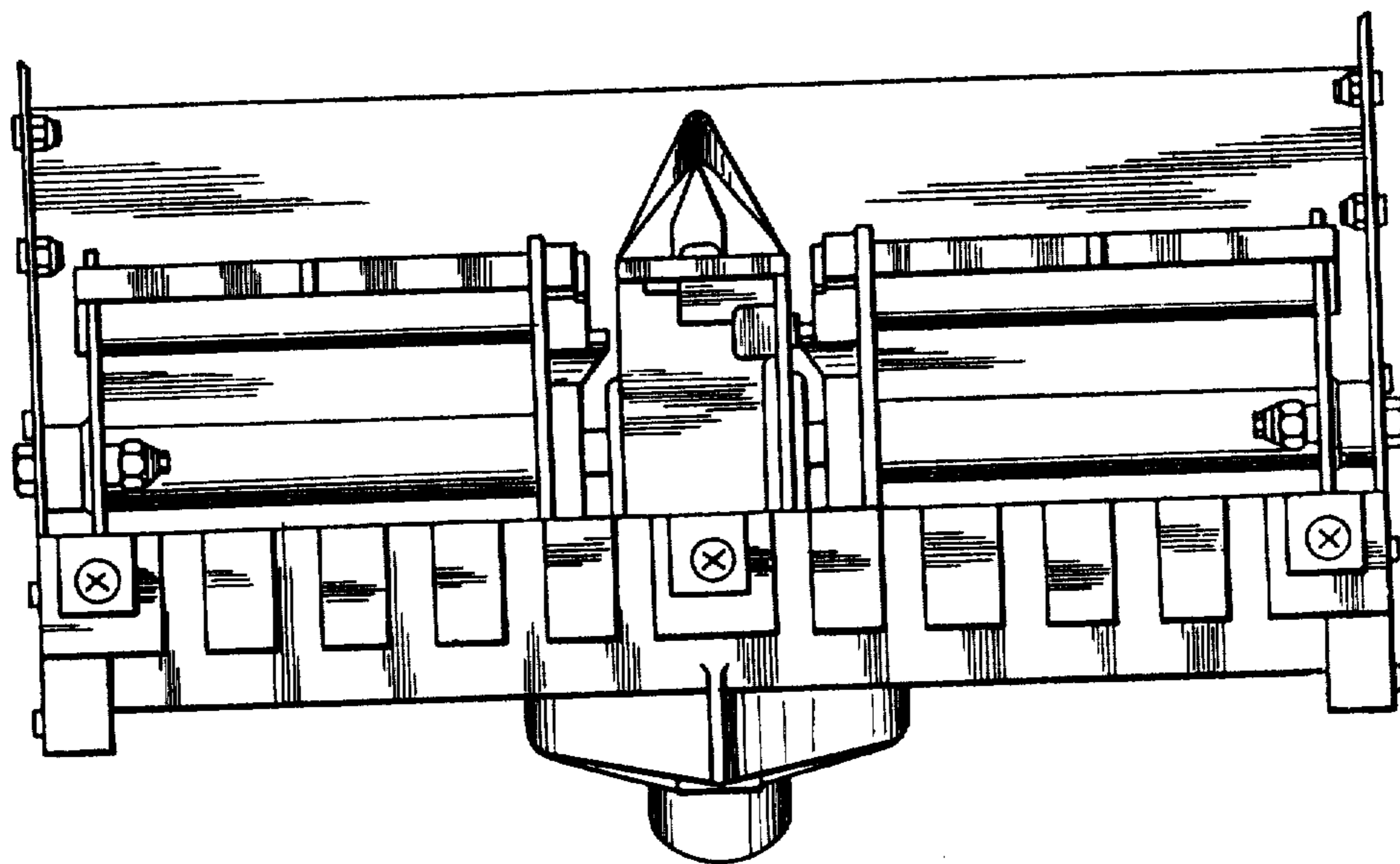


FIG. 6

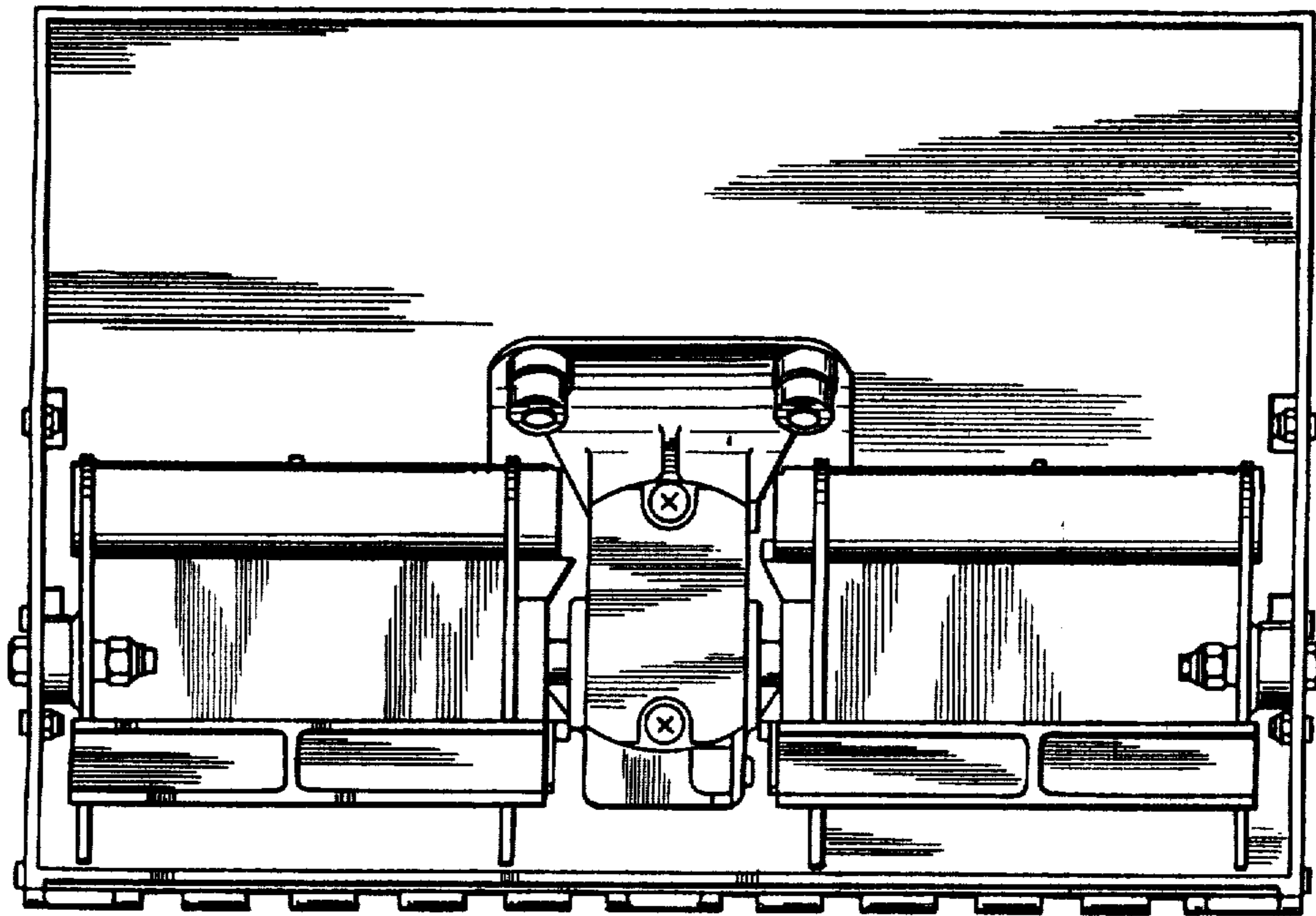


FIG. 7

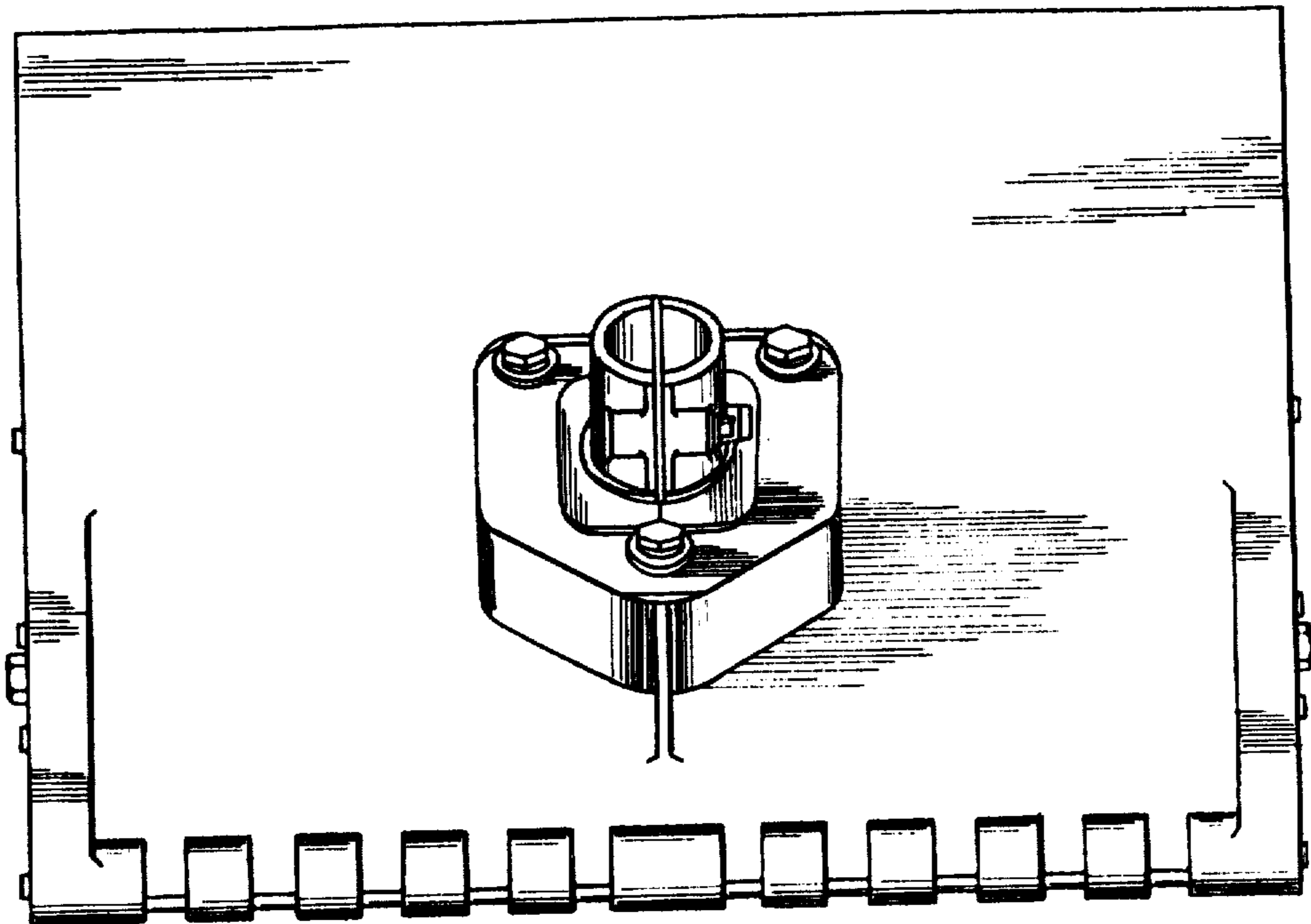


FIG. 8