

[54] MOTORCYCLE SIDE COVER

[75] Inventor: Alwin J. Stahel, Saint Paul, Minn.

[73] Assignee: Drag Specialties, Inc., Minneapolis, Minn.

[**] Term: 14 Years

[21] Appl. No.: 279,541

[22] Filed: Jul. 1, 1981

[51] Int. Cl. D12-11

[52] U.S. Cl. D12/126

[58] Field of Search D12/126, 114; 180/219; 280/289 G

[56] References Cited

U.S. PATENT DOCUMENTS

D. 170,077 7/1953 Brown D12/114

OTHER PUBLICATIONS

Cycle World, 4/81, p. 144, Side Cover on BMW Motorcycle.

Cycle World, 2/80, p. 29, Side Cover on Kawasaki Motorcycle.

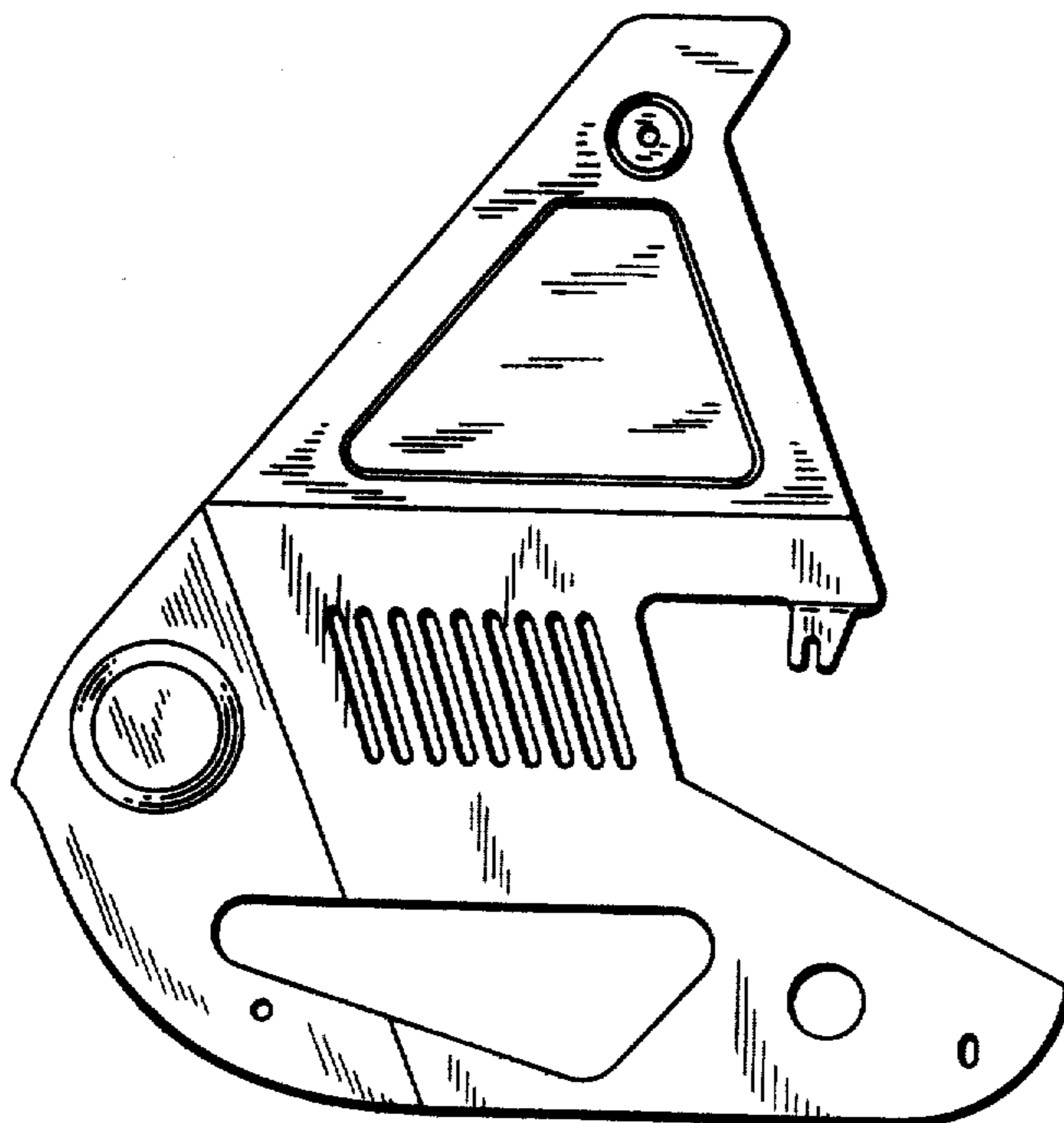
Primary Examiner—James M. Gandy
Attorney, Agent, or Firm—Kinney, Lange, Braddock, Westman & Fairbairn

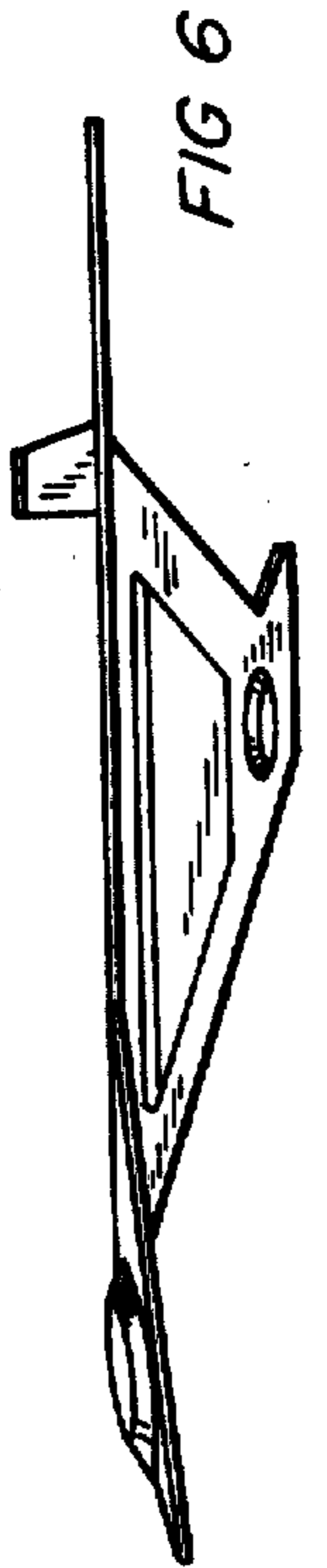
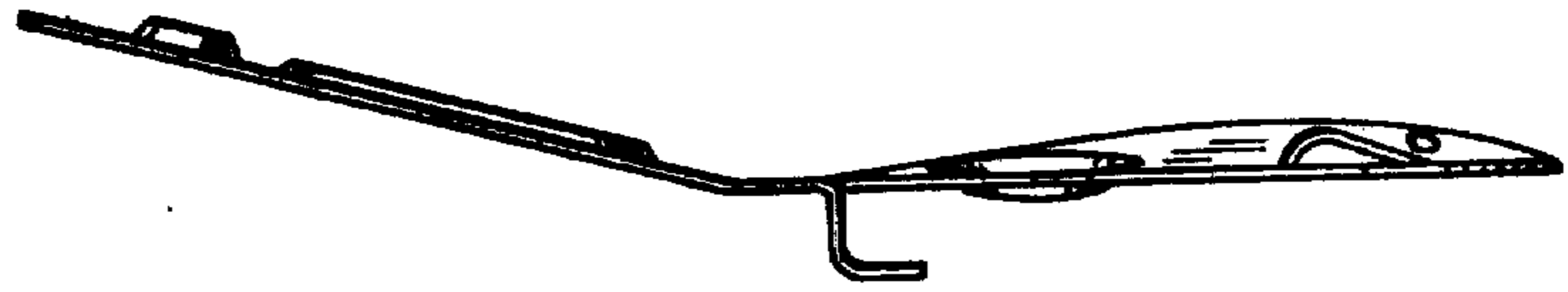
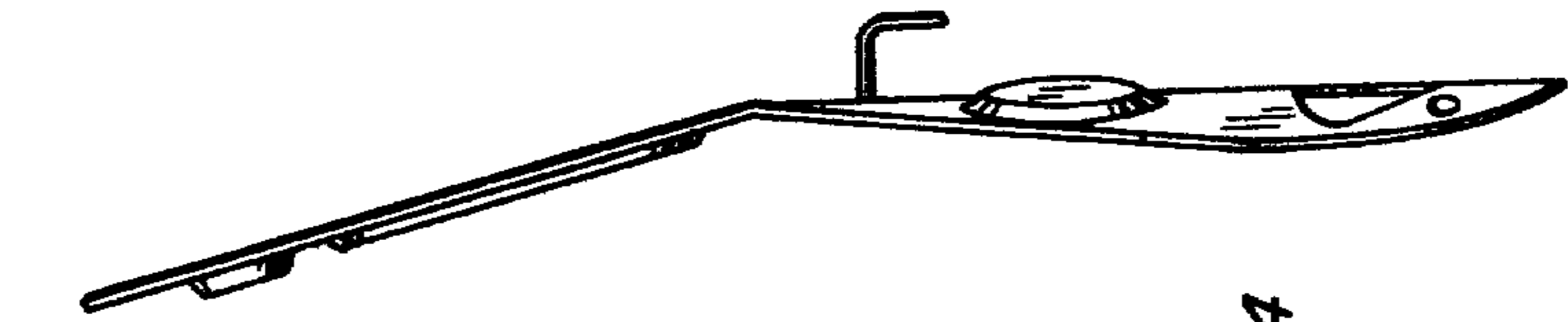
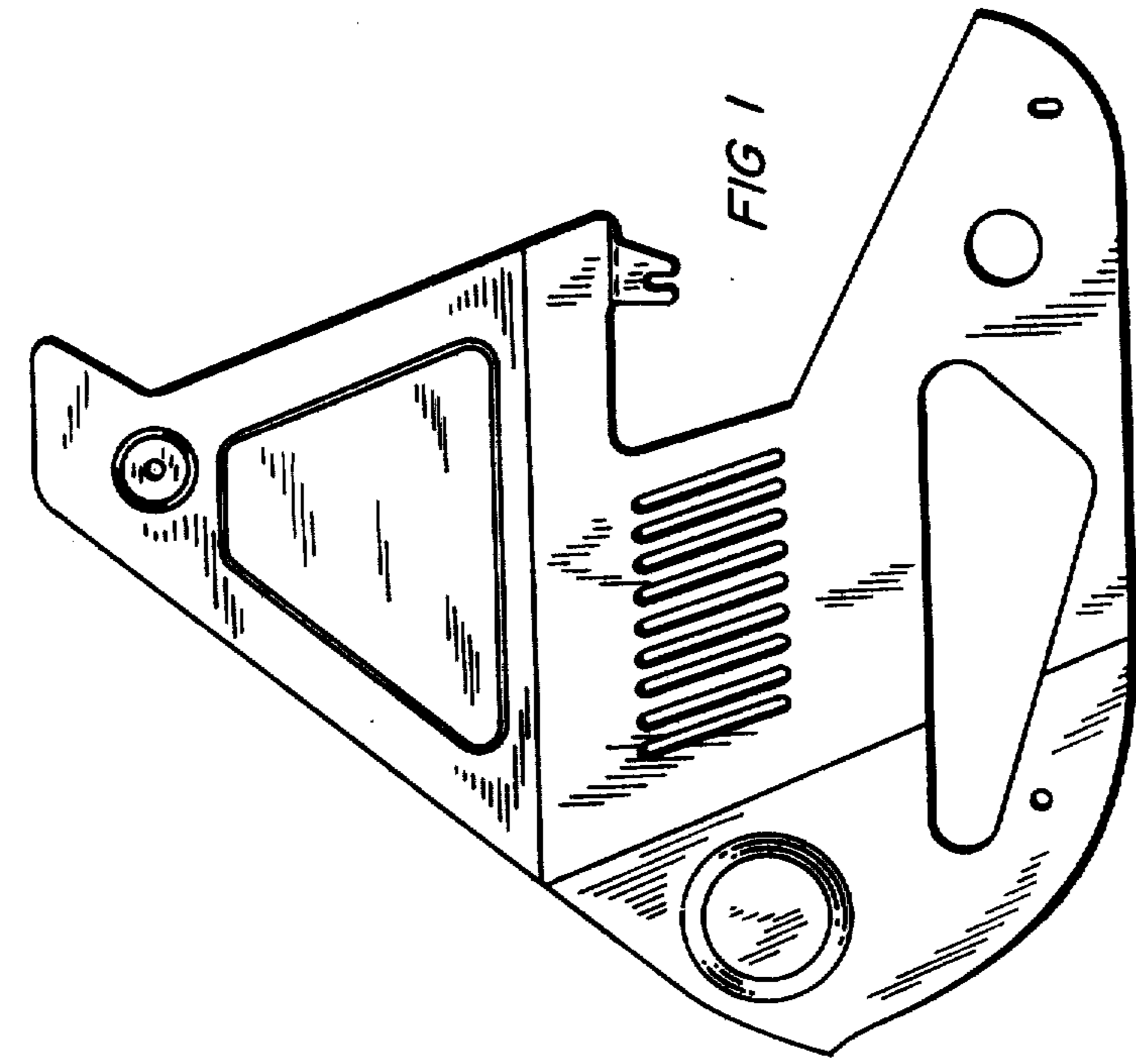
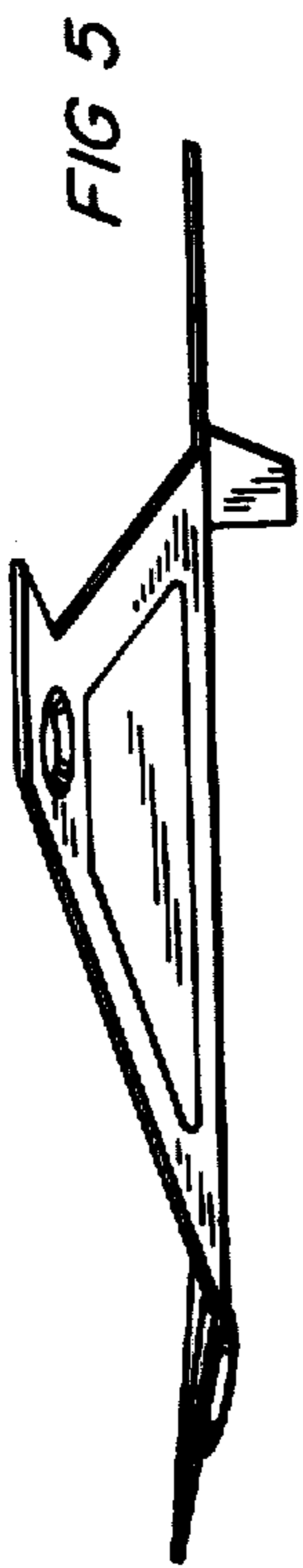
[57] CLAIM

The ornamental design for a motorcycle side cover, substantially as shown and described.

DESCRIPTION

FIG. 1 is a front elevational view of a motorcycle side cover showing my new design;
FIG. 2 is a rear elevational view thereof;
FIG. 3 is a right side elevational view thereof;
FIG. 4 is a left side elevational view thereof;
FIG. 5 is a top plan view thereof;
FIG. 6 is a bottom plan view thereof; and
FIG. 7 is a front elevational view thereof on a greatly reduced scale it being understood that the broken lines are for illustrative purposes only.





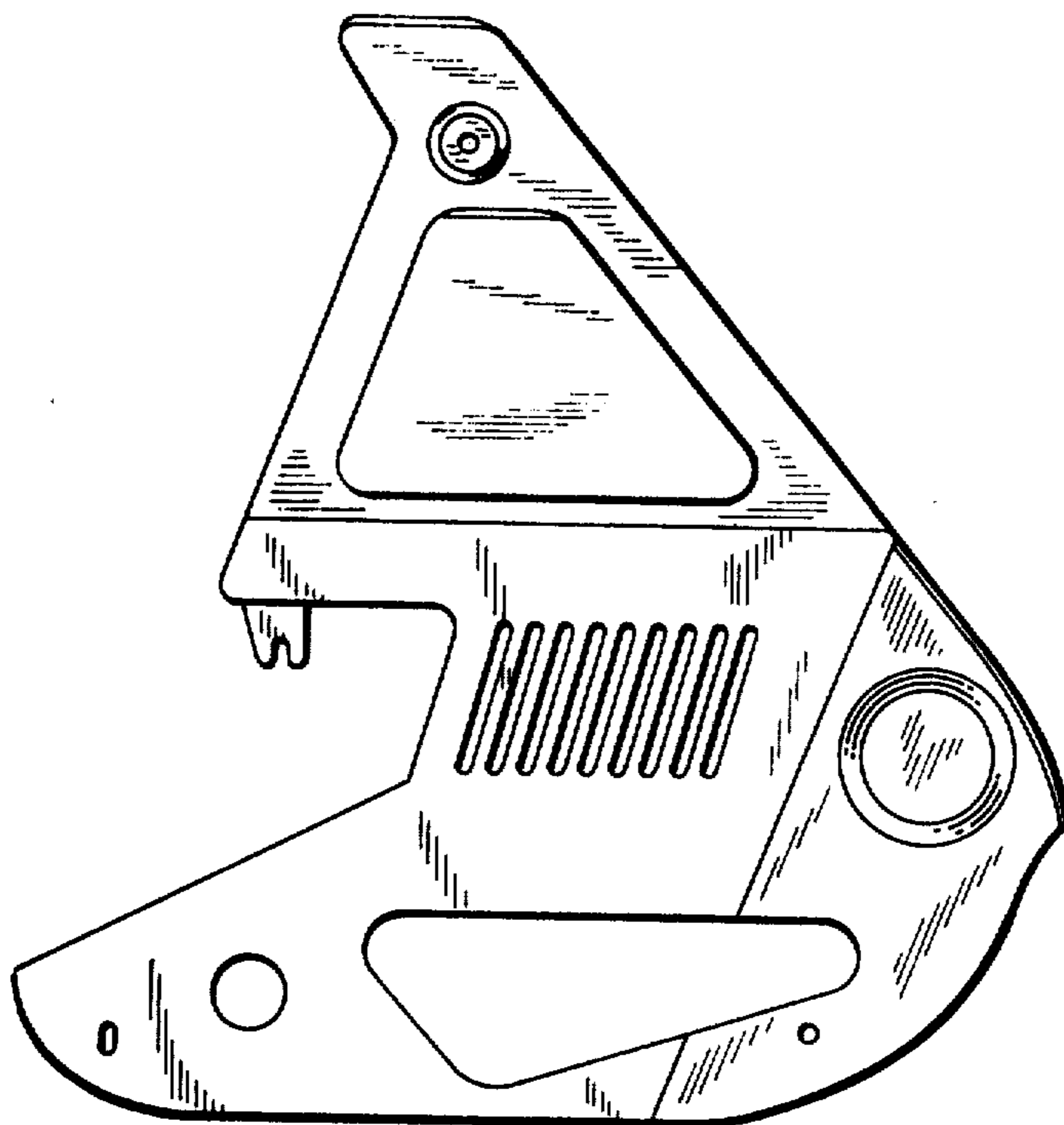


FIG 2

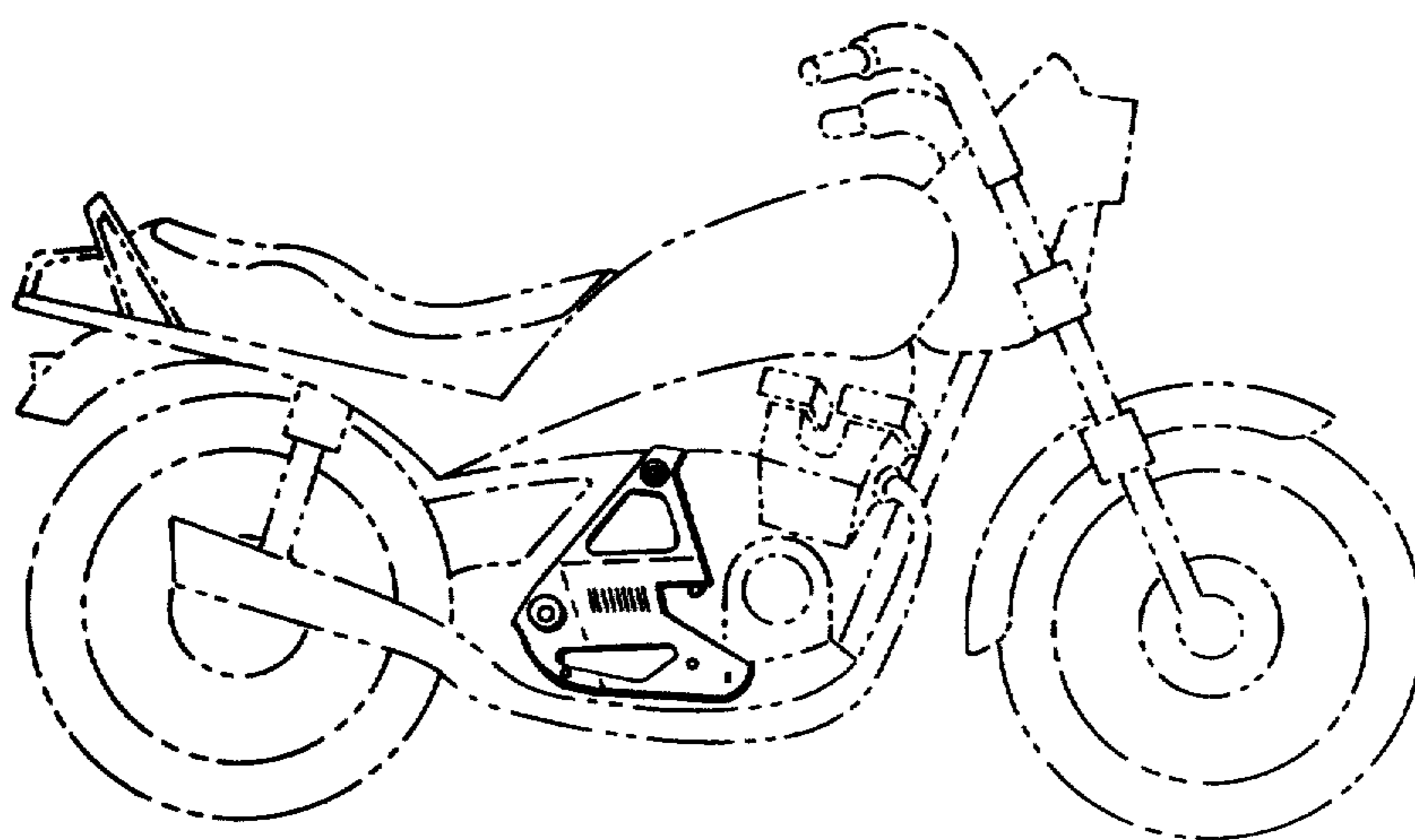


FIG 7