

[54] **PLATE FOR ASSEMBLING ELEMENTS OF AGRICULTURAL MACHINERY OR THE LIKE**

[75] Inventor: **Magne Skjaeveland,**
Oksnevadskogen, Norway

[73] Assignee: **Kverneland A/S, Kvernaland,**
Norway

[**] Term: **14 Years**

[21] Appl. No.: **290,706**

[22] Filed: **Aug. 6, 1981**

[30] **Foreign Application Priority Data**

Feb. 11, 1981 [NO] Norway 61728

[51] Int. Cl. **D8-08; D15-04**

[52] U.S. Cl. **D8/394; D8/382;**
D15/11

[58] Field of Search **D8/349, 354, 382, 394;**
403/187, 190, 199, 167, 71, 188; D15/11

[56] **References Cited**

U.S. PATENT DOCUMENTS

3,325,228 6/1967 Lien 403/188
3,550,969 12/1970 Robinson 403/188
4,171,172 10/1979 Johnston 403/167

FOREIGN PATENT DOCUMENTS

2142621 3/1973 Fed. Rep. of Germany 403/188

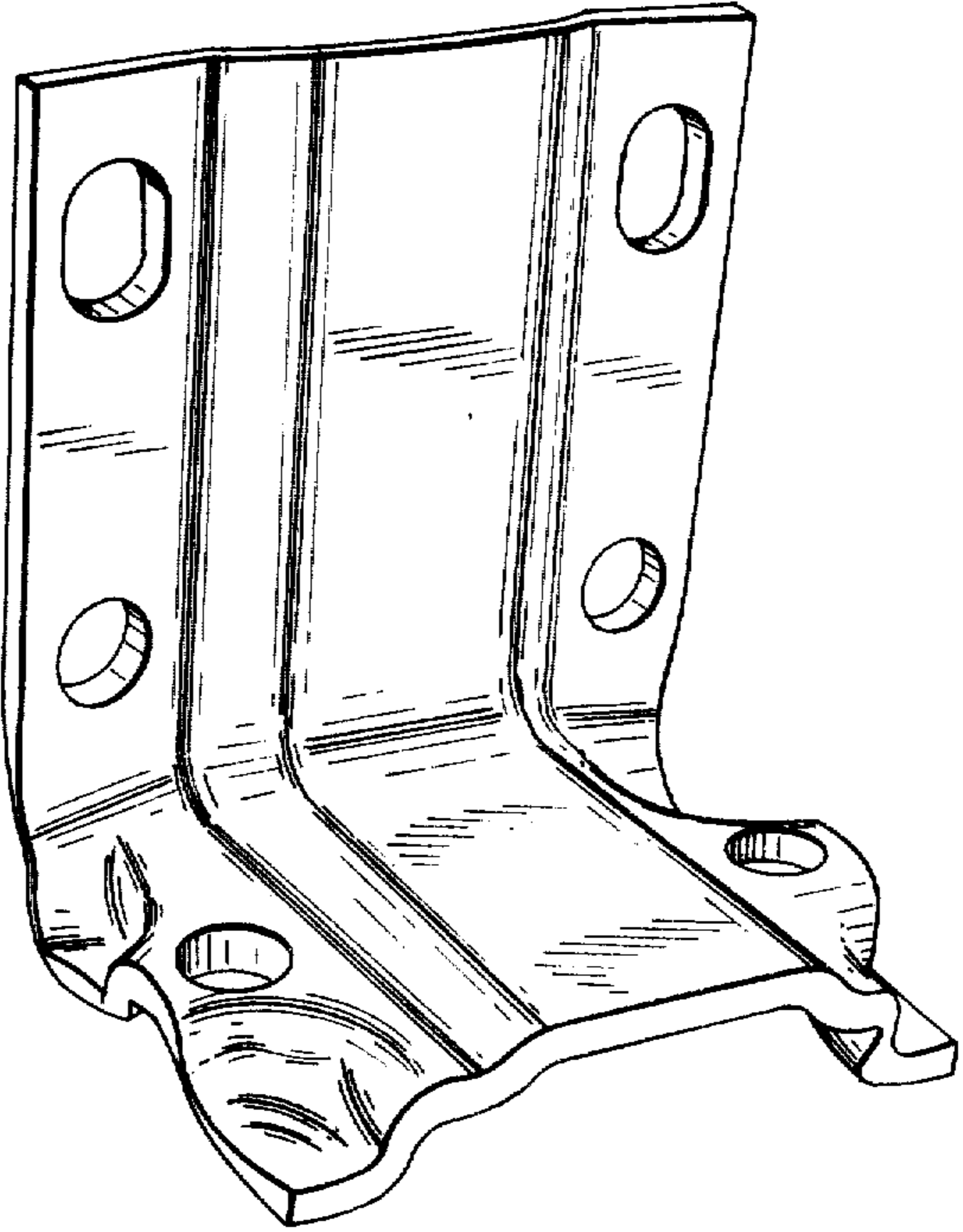
Primary Examiner—B. J. Bullock
Attorney, Agent, or Firm—Schwartz, Jeffery, Schwaab,
Mack, Blumenthal & Koch

[57] **CLAIM**

The ornamental design for a plate for assembling elements of agricultural machinery or the like, as shown and described.

DESCRIPTION

FIG. 1 is a front perspective view of a plate for assembling elements of agricultural machinery or the like showing my new design;
FIG. 2 is a bottom rear perspective view.



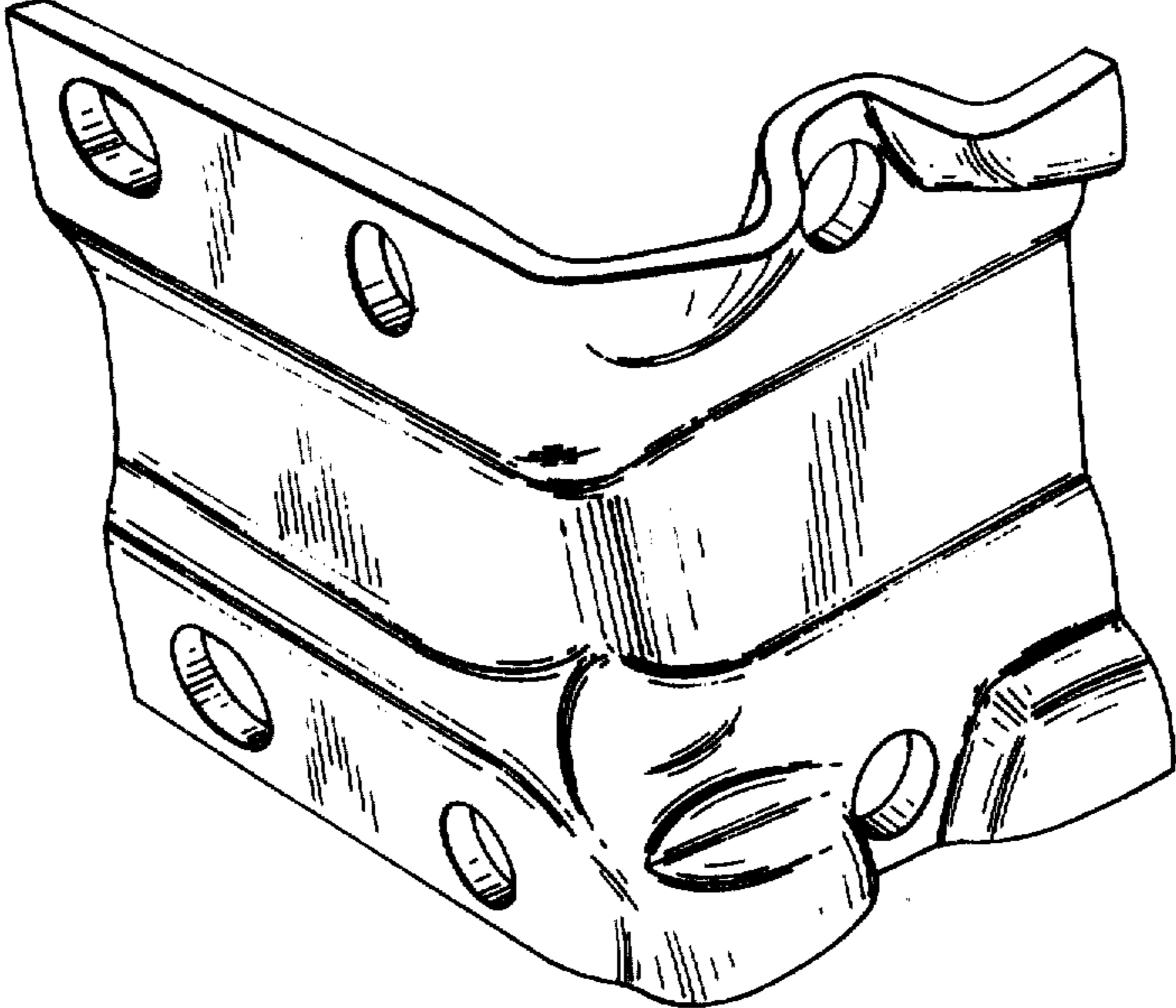


FIG. 2

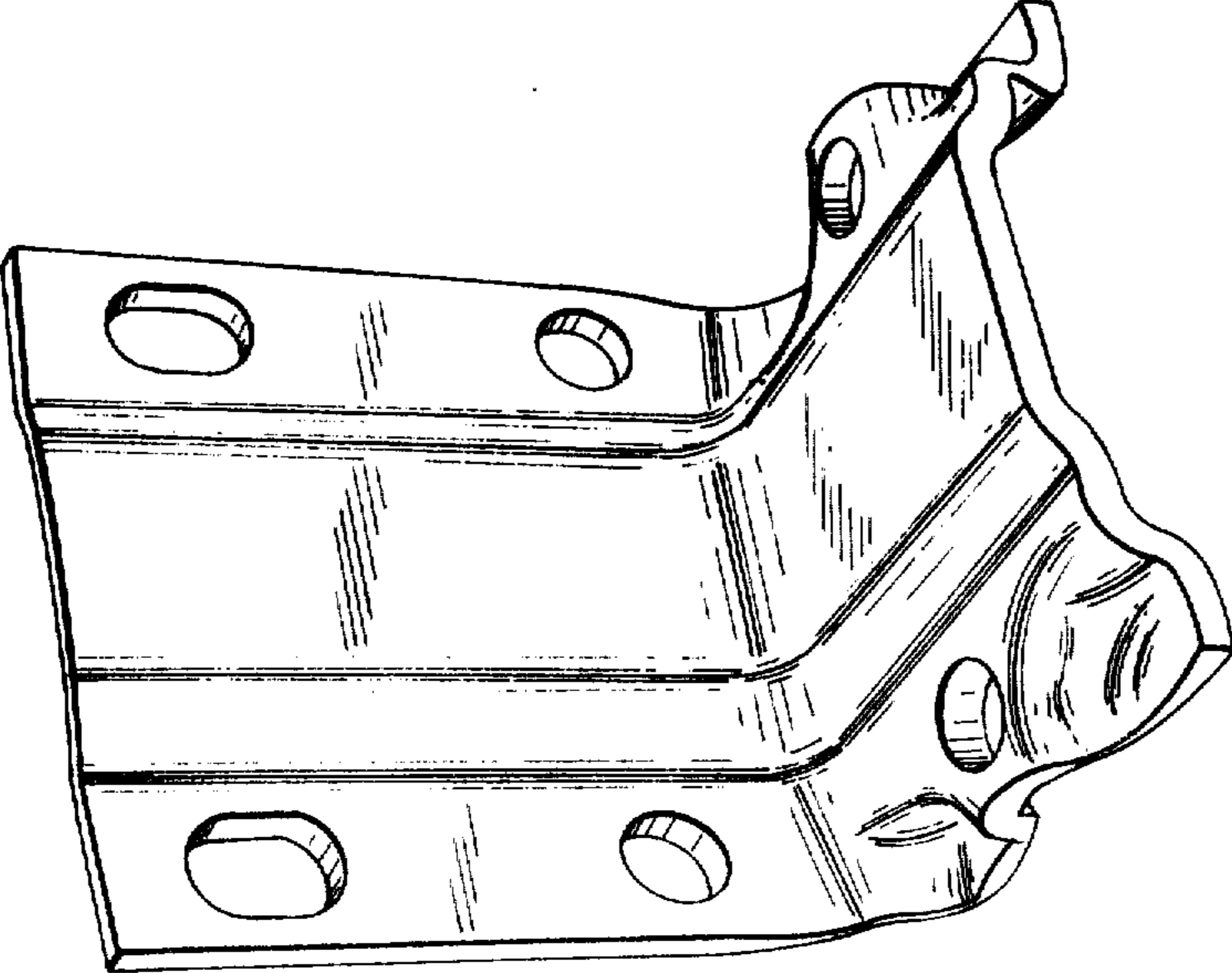


FIG. 1