

[54] CORD LOCK

[75] Inventor: Rudolph E. Muench, Shelby, N.C.

[73] Assignee: Fasco Controls Corporation, Shelby, N.C.

[**] Term: 14 Years

[21] Appl. No.: 309,243

[22] Filed: Oct. 7, 1981

[51] Int. Cl. D8-08

[52] U.S. Cl. D8/356; D8/396

[58] Field of Search D8/396, 395, 394, 357, D8/356, 387, 388; 24/248 R, 339; 248/68 R, 74.7, 74.1, 74 R, 74 PB, 71, 73

[56] References Cited

U.S. PATENT DOCUMENTS

D. 258,865	4/1981	McAllister	D8/395
2,472,986	6/1941	Reder, Jr.	24/248 R X
2,686,520	8/1954	Darvis et al.	24/248 R X
2,775,013	12/1956	Pedrere	24/248 R
3,096,551	7/1963	Shoberg	D8/395 X
3,412,739	11/1968	Thatcher	24/248 R X

3,705,586	12/1972	Sacracino	24/248 R X
3,896,527	7/1975	Millen et al.	24/248 R

FOREIGN PATENT DOCUMENTS

582212	10/1924	France	24/498
--------	---------	--------	-------	--------

OTHER PUBLICATIONS

Engineering Design Manual, Bulletin, 212 G; p. 52, TA Line Support.

Primary Examiner—Wallace R. Burke

Assistant Examiner—Horace B. Fay

Attorney, Agent, or Firm—Shlesinger, Fitzsimmons & Shlesinger

[57] CLAIM

The ornamental design for a cord lock, substantially as shown and described.

DESCRIPTION

FIG. 1 is a top plan view of a cord lock showing my new design;

FIG. 2 is a front elevational view thereof;

FIG. 3 is a bottom plan view thereof;

FIG. 4 is a rear elevational view thereof; and

FIG. 5 is a left side elevational view thereof.

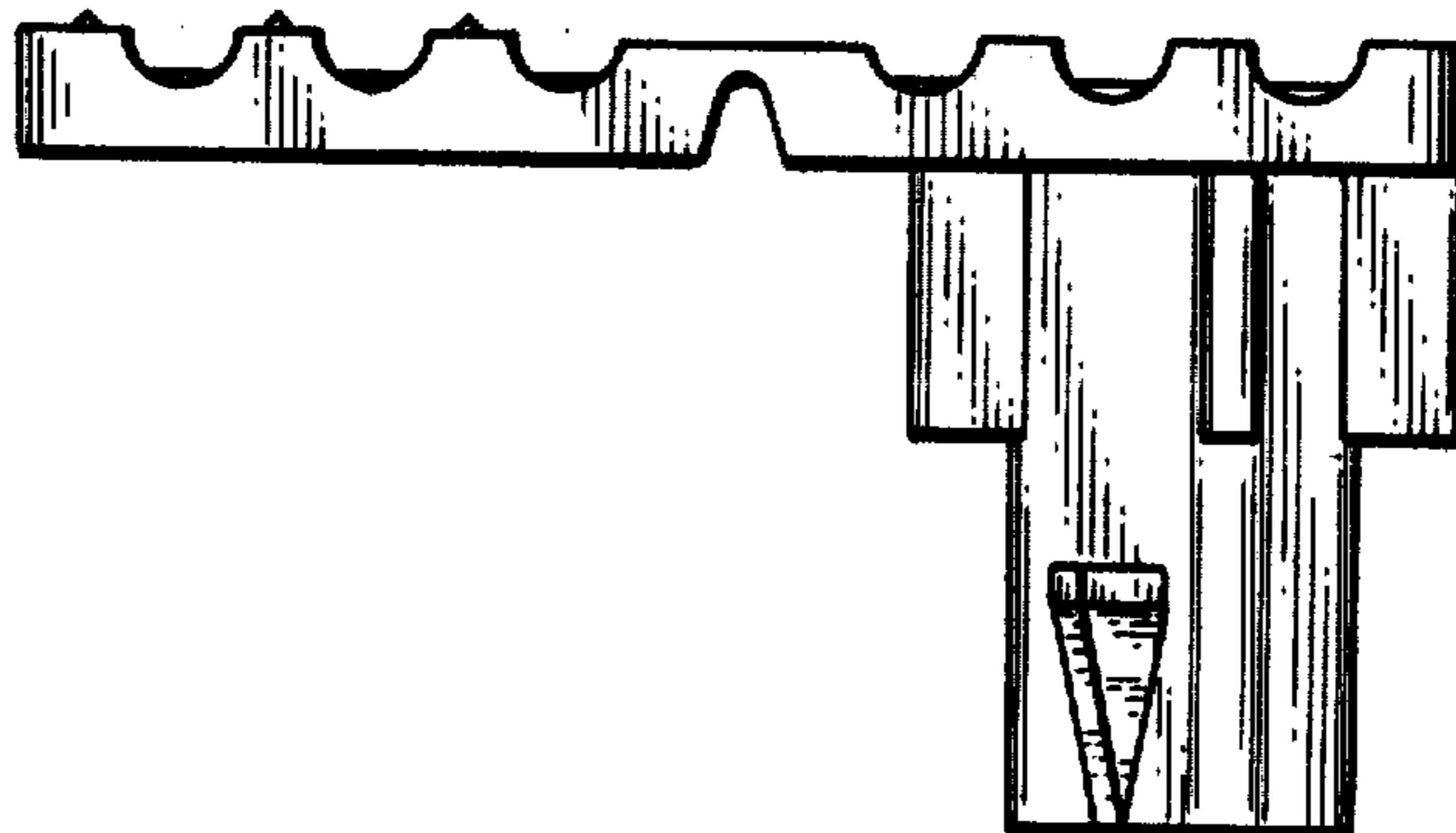
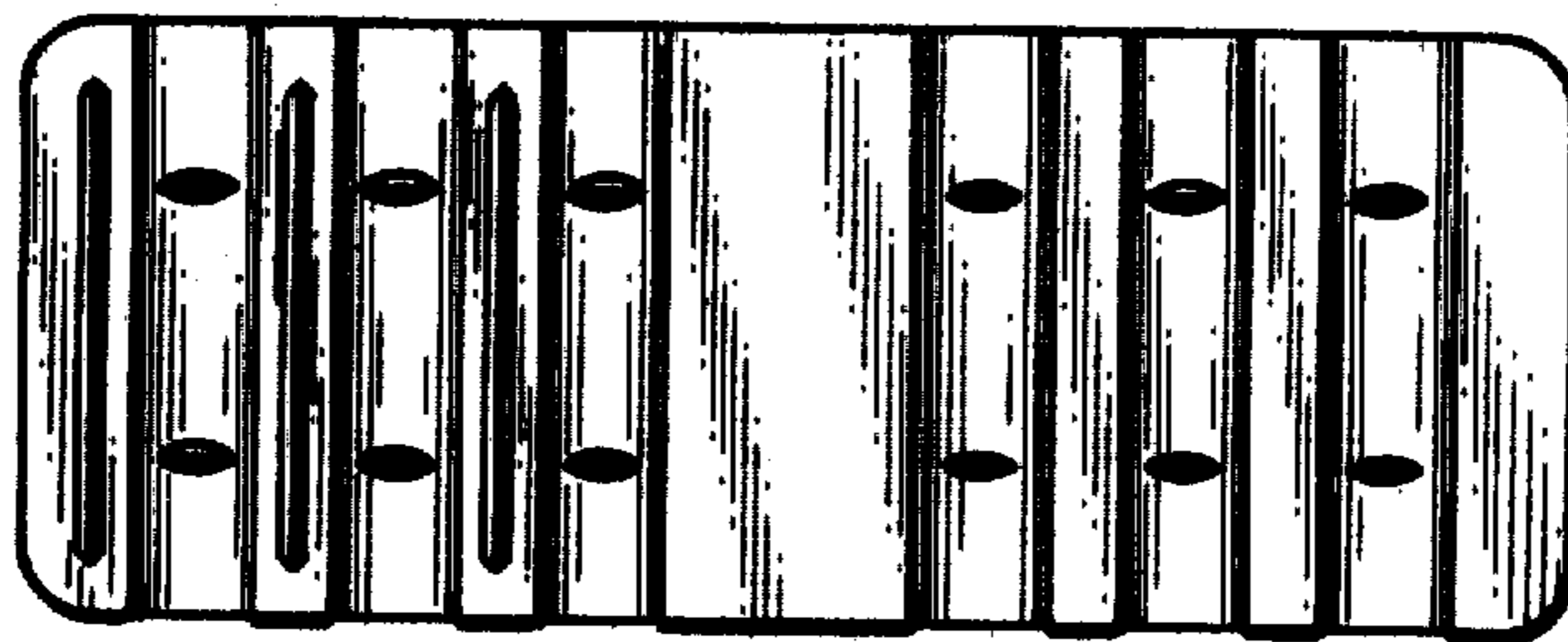


FIG. 1

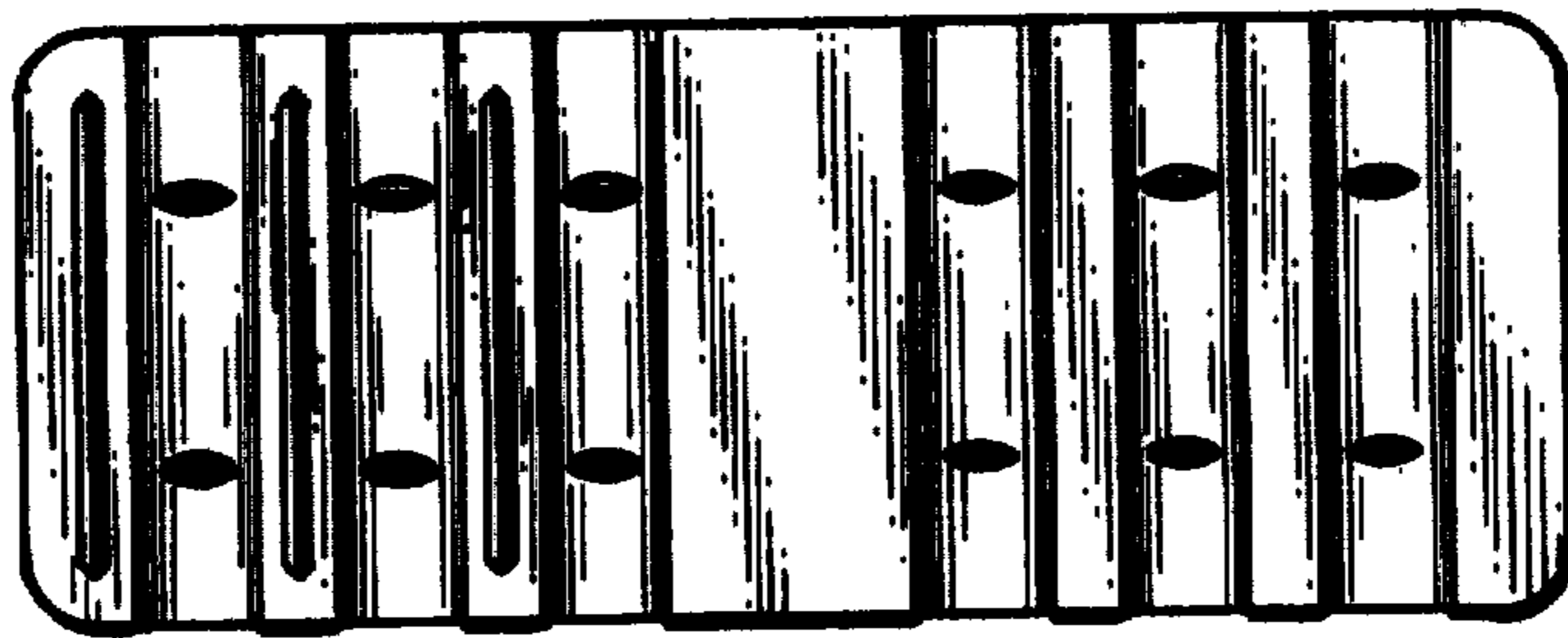


FIG. 2

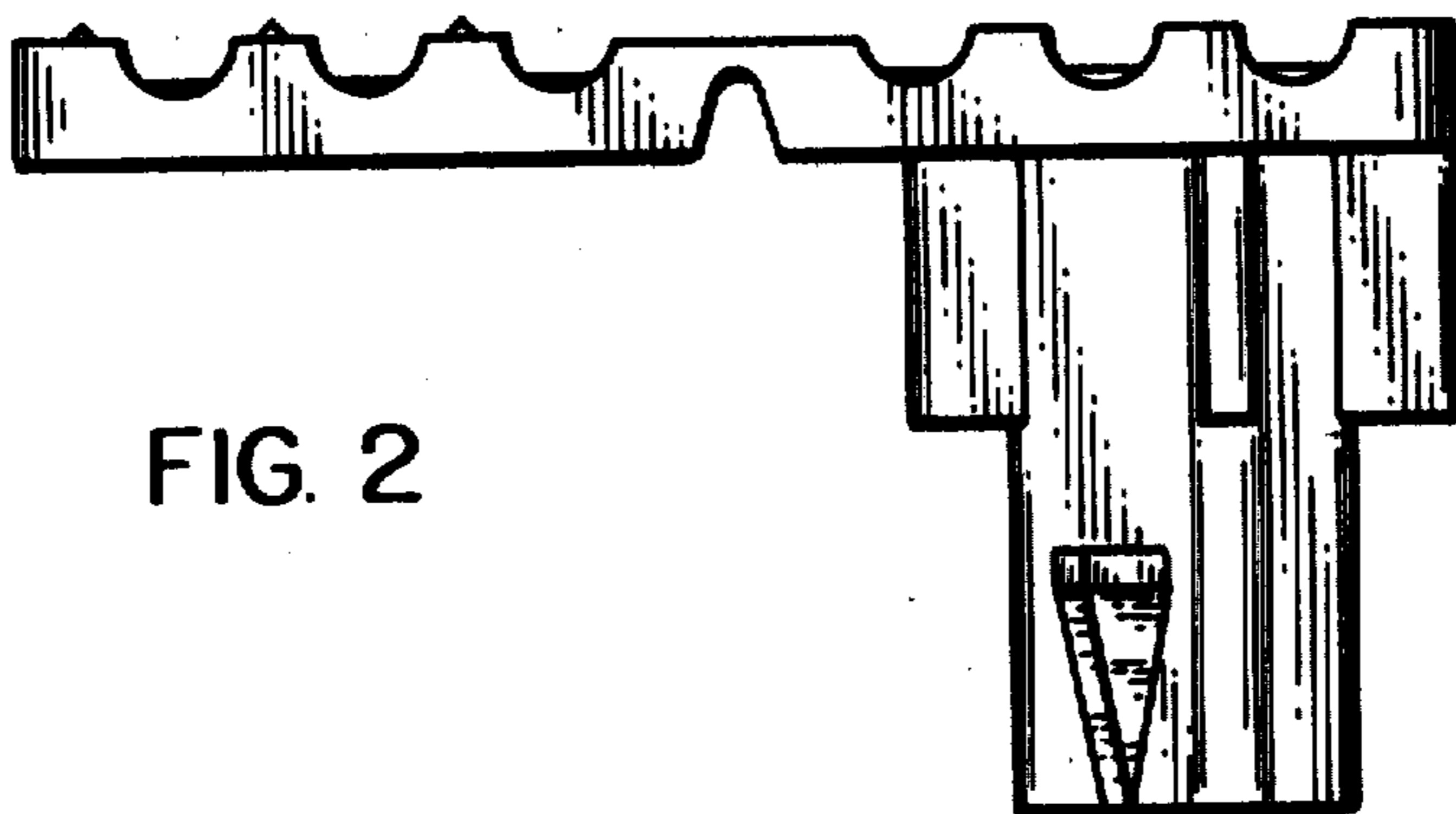


FIG. 3

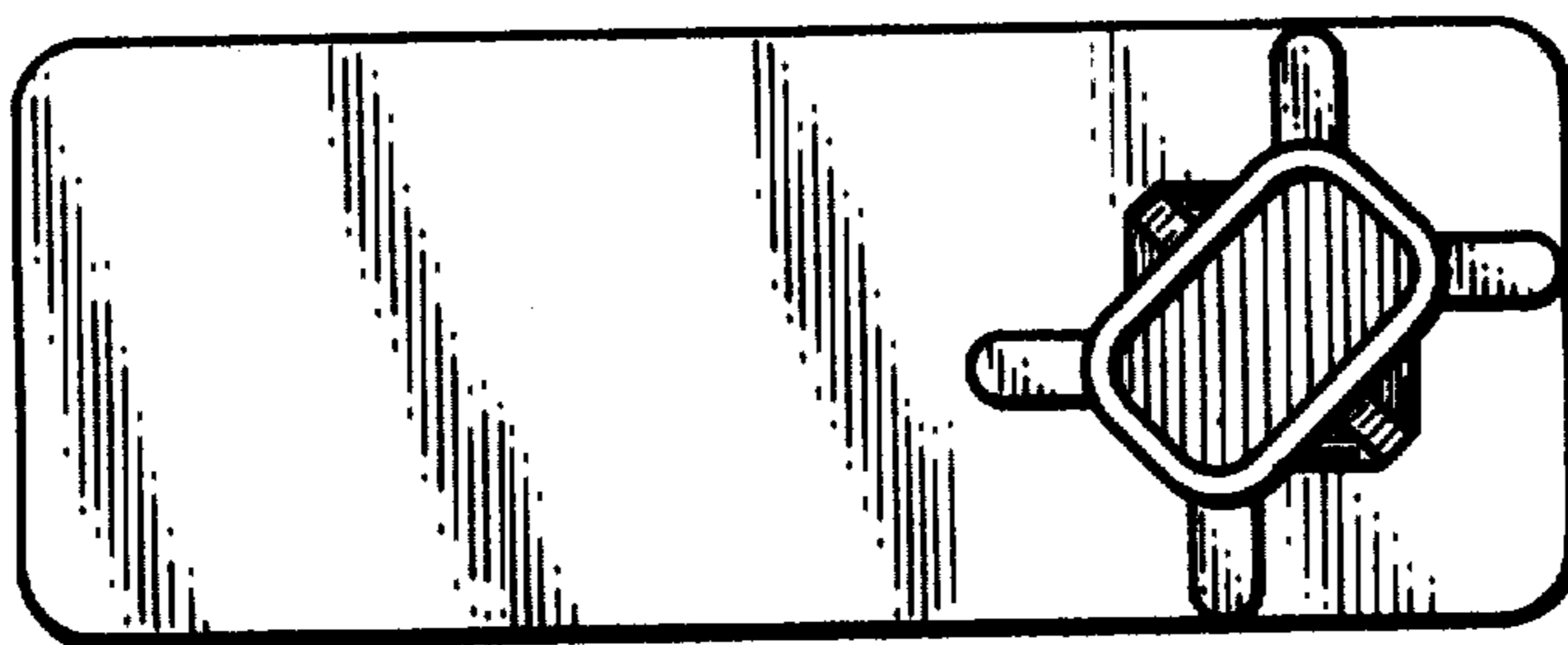


FIG. 4

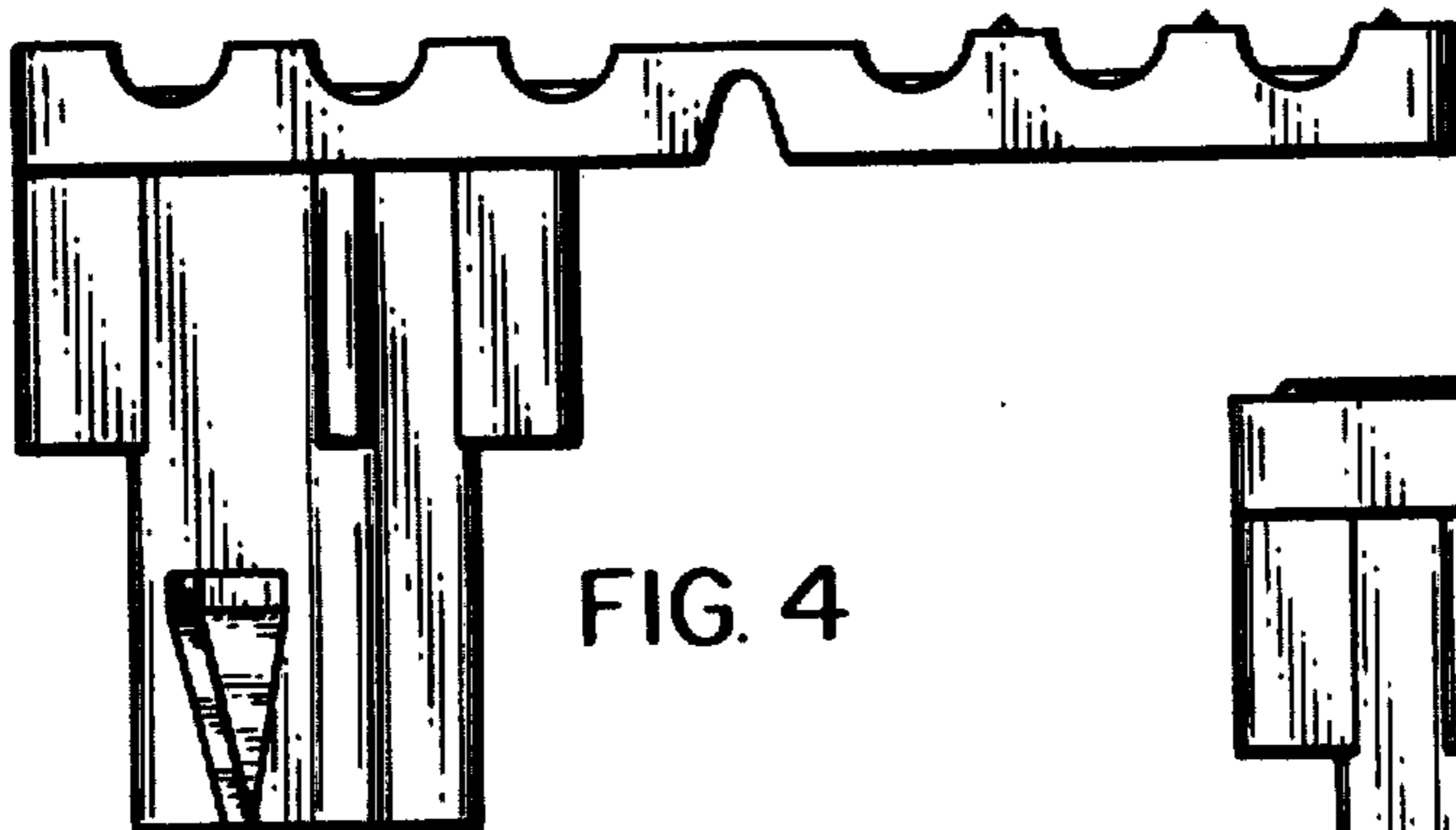


FIG. 5

